

Job Name: 24-1260 - Combined Sewer Separation Project Ph 3
Job Location: Morganfield, KY 42437
Contractor: Deig Bros Lumber & Construction Co, Inc.

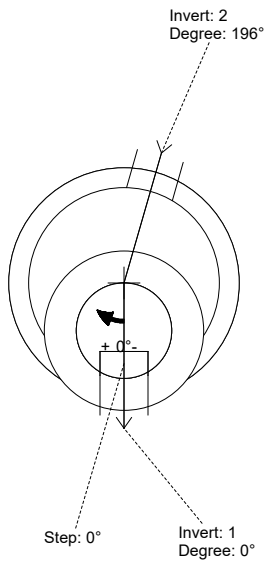
PC: J. Jarvis
 TECH: K. Cardwell
 Plant: Beaver Dam, KY



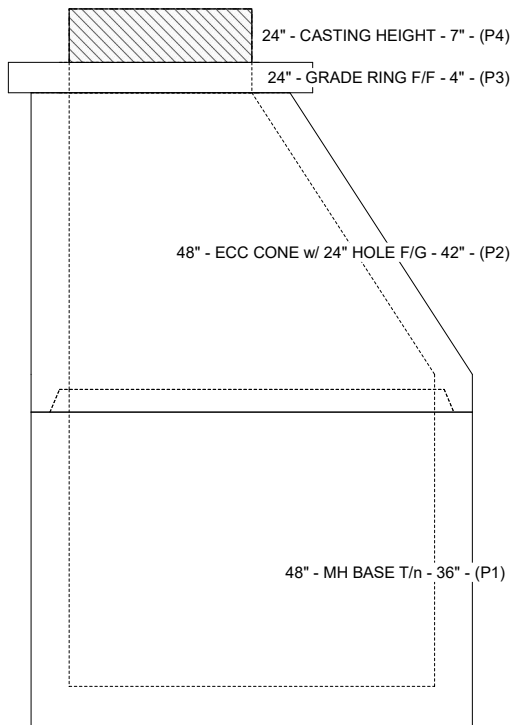
Structure ID: **SSMH 3+65**
 Spec: Sanitary Rim: 430.34' Sump: 2" Floor (Bot): 422.133'
 Type: SAN.MH Invert: 422.8' Floor (Top): 422.633' Overall Height: 7.917'
 Size: 48" Rim to Invert: 7.54' Floor Height: 6" Slack: 3.48"

- Structure Notes:**
 STATION: 3+65 SAN LN F
 1. PER ASTM C-478 SPECS
 2. CONCRETE: 5,000 PSI AT 28 DAYS
 3. REINFORCEMENT: PER ASTM A615
 4. INVERT CHANNEL REQUIRED
 5. HOE MC-420 "SANITARY" SUPPLIED BY ICAST
 6. STEPS AT 0 DEGREES
 7. TRELLEBORG FLEXRIB 8.5" CHIMNEY SEAL SUPPLIED BY ICAST

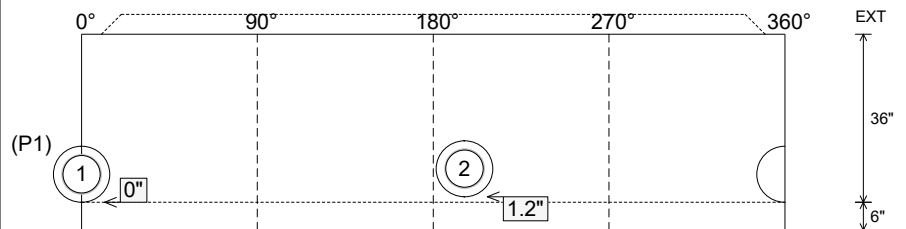
- STRUCTURE SUMMARY:**
- | | |
|---|----------------|
| P4) 24" - CASTING HEIGHT - 7" | 0 lb |
| P3) 24" - GRADE RING F/F - 4" | 270 lb |
| P2) 48" - ECC CONE w/ 24" HOLE F/G - 42" | 3200 lb |
| P1) 48" - MH BASE T/n - 36" | 3749 lb |
| 1) JOINT WRAP - 0.065"x6"x50' CONSEAL CS212 | 0 lb |
| 1) JOINT WRAP PRIMER - CONSEAL CS-75 (1 gal.) | 0 lb |
| 1) 48" - MH INVERT CHANNEL - FULL HEIGHT | 1440 lb |
| 1) Chimney Seal - Trelleborg FlexRib Chimney Seal | 10 lb |
| 1) CASTING - HOE MC-420 F/C Sanitary | 340 lb |
| 1) 48" - Conseal CS-102 1.00" (Double) | 0 lb |
| 2) PSX - 12-08 NYLO | 16 lb |
| 6) MH Step ML-10-TDS-NCR - 10" | 0 lb |
| Structure Total: | 9025 lb |



Position	Elev	Angle	Pipe	Pipe OD	Hole	Connector	Up (L)	Ref
Rim	430.34'							
Reducer								
Invert 1	422.8'	0°	8" PVC SDR35	8.5"	12"	PSX 12-08 NYLO	0"	P1
Invert 2	422.9'	196°	8" PVC SDR35	8.5"	12"	PSX 12-08 NYLO	1.2"	P1
Invert 3								
Invert 4								
Invert 5								
Invert 6								
Invert 7								
Invert 8								



Cast (Int. Dim.) - Interior Dimensions



Submittal Drawing
 12/18/2025 9:24:32 AM

SUBMITTAL
 APPROVED BY: