

Job Name: 24-1260 - Combined Sewer Separation Project Ph 3
Job Location: Morganfield, KY 42437
Contractor: Deig Bros Lumber & Construction Co, Inc.

PC: J. Jarvis
 TECH: K. Cardwell
 Plant: Beaver Dam, KY



Structure ID: **SSMH 2+86**

Spec: Sanitary
 Type: SAN.MH
 Size: 60"

Rim: 428.55'
 Invert: 423.51'
 Rim to Invert: 5.04'

Sump: 2"
 Floor (Top): 423.343'
 Floor Height: 8"

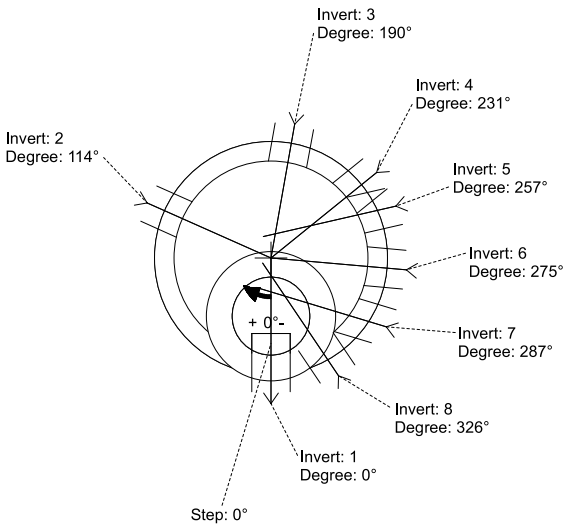
Floor (Bot): 422.677'
 Overall Height: 5.667'
 Slack: 2.48"

Structure Notes:

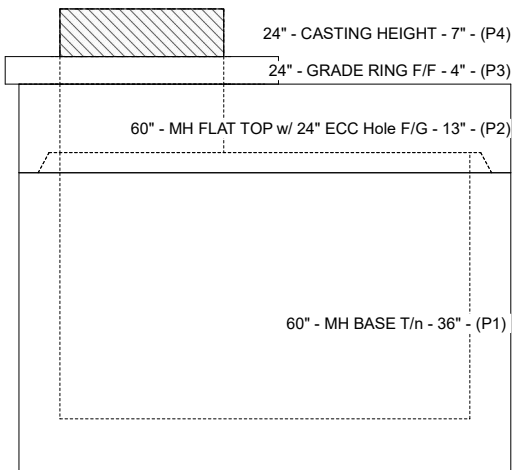
- STATION: 2+86 SAN LN D
 1. PER ASTM C-478 SPECS
 2. CONCRETE: 5,000 PSI AT 28 DAYS
 3. REINFORCEMENT:
 - FLAT LID: #5 BAR @ 6" C.C. E.W. (GRADE 60)
 - BASE: PER ASTM A615
 4. INVERT CHANNEL REQUIRED
 5. HOE MC-420 "SANITARY" SUPPLIED BY ICAST
 6. STEPS AT 0 DEGREES
 7. TRELLEBORG FLEXRIB 8.5" CHIMNEY SEAL SUPPLIED BY ICAST
 8. INVERT 5 OFFSET 7" FROM CENTER; INVERT 7 OFFSET 10" FROM CENTER; INVERT 8 OFFSET 3" FROM CENTER

STRUCTURE SUMMARY:

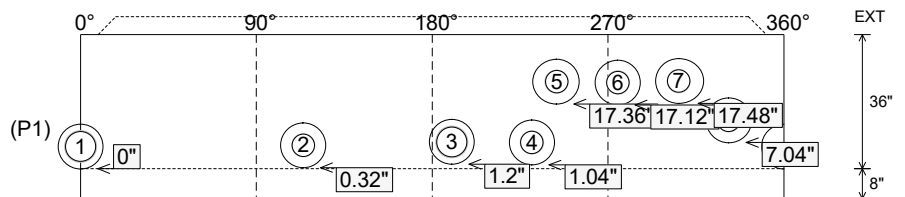
P4) 24" - CASTING HEIGHT - 7"	0 lb
P3) 24" - GRADE RING F/F - 4"	270 lb
P2) 60" - MH FLAT TOP w/ 24" ECC Hole F/G - 13"	2869 lb
P1) 60" - MH BASE T/n - 36"	6028 lb
1) JOINT WRAP - 0.065"x6"x50' CONSEAL CS212	0 lb
1) JOINT WRAP PRIMER - CONSEAL CS-75 (1 gal.)	0 lb
1) 48" - MH INVERT CHANNEL - FULL HEIGHT	1440 lb
1) Chimney Seal - Trelleborg FlexRib Chimney Seal	10 lb
1) CASTING - HOE MC-420 F/C Sanitary	340 lb
1) 60" - Conseal CS-102 1.00" (Double)	0 lb
2) PSX - 12-08 NYLO	16 lb
6) PSX - 12-06 NYLO	48 lb
3) MH Step ML-10-TDS-NCR - 10"	0 lb
Structure Total:	11021 lb



Position	Elev	Angle	Pipe	Pipe OD	Hole	Connector	Up (")	Ref
Rim	428.55'							
Reducer								
Invert 1	423.51'	0°	8" PVC SDR35	8.5"	12"	PSX 12-08 NYLO	0"	P1
Invert 2	423.62'	114°	6" PVC SDR35	6.25"	12"	PSX 12-06 NYLO	0.32"	P1
Invert 3	423.61'	190°	8" PVC SDR35	8.5"	12"	PSX 12-08 NYLO	1.2"	P1
Invert 4	423.68'	231°	6" PVC SDR35	6.25"	12"	PSX 12-06 NYLO	1.04"	P1
Invert 5	425.04'	257°	6" PVC SDR35	6.25"	12"	PSX 12-06 NYLO	17.36"	P1
Invert 6	425.02'	275°	6" PVC SDR35	6.25"	12"	PSX 12-06 NYLO	17.12"	P1
Invert 7	425.05'	287°	6" PVC SDR35	6.25"	12"	PSX 12-06 NYLO	17.48"	P1
Invert 8	424.18'	326°	6" PVC SDR35	6.25"	12"	PSX 12-06 NYLO	7.04"	P1



Cast (Int. Dim.) - Interior Dimensions



Submittal Drawing
 11/17/2025 9:42:55 AM

SUBMITTAL
 APPROVED BY: