

Job Name: 24-1260 - Combined Sewer Separation Project Ph 3  
 Job Location: Morganfield, KY 42437  
 Contractor: Deig Bros Lumber & Construction Co, Inc.

Plant: Beaver Dam, KY  
 11/13/2025 2:20:06 PM

Tech: K. Cardwell  
 PC: J. Jarvis



**Structure ID: SSMH 2+86**

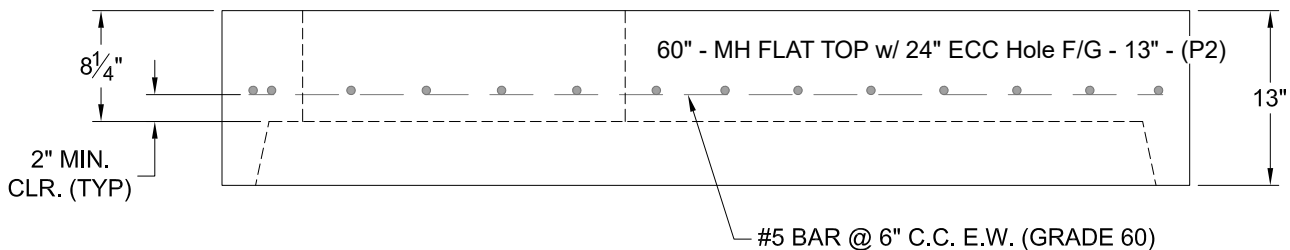
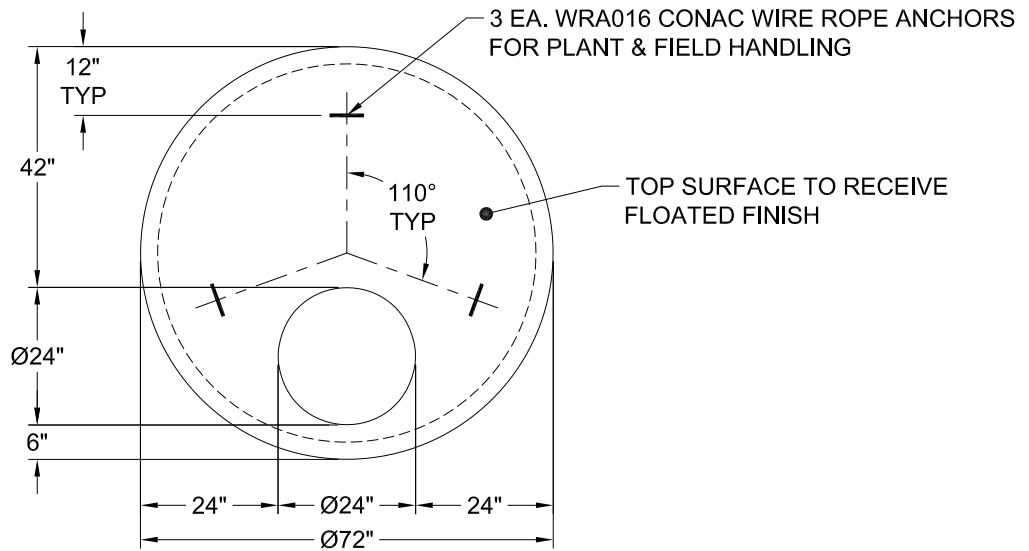
**P2 MH060LD13**

**MH FLAT TOP w/ 24" ECC Hole F/G**

- P4) 24" - CASTING HEIGHT - 7"
- P3) 24" - GRADE RING F/F - 4"
- P2) 60" - MH FLAT TOP w/ 24" ECC Hole F/G - 13"
- P1) 60" - MH BASE T/n - 36"
- 1) JOINT WRAP - 0.065"x6"x50' CONSEAL CS212
- 1) JOINT WRAP PRIMER - CONSEAL CS-75 (1 gal.)
- 1) 48" - MH INVERT CHANNEL - FULL HEIGHT
- 1) Chimney Seal - Trelleborg FlexRib Chimney Seal
- 1) CASTING - HOE MC-420 F/C Sanitary
- 1) 60" - Conseal CS-102 1.00" (Double)
- 2) PSX - 12-08 NYLO
- 6) PSX - 12-06 NYLO
- 3) MH Step ML-10-TDS-NCR - 10"

0 lb  
 270 lb  
 2869 lb  
 6028 lb  
 0 lb  
 0 lb  
 1440 lb  
 10 lb  
 340 lb  
 0 lb  
 16 lb  
 48 lb  
 0 lb  
 -----  
 Structure Total: 11021 lb

- Structure Notes:**  
 STATION: 2+86 SAN LN D
1. PER ASTM C-478 SPECS
  2. CONCRETE: 5,000 PSI AT 28 DAYS
  3. REINFORCEMENT: #5 BAR @ 6" C.C. E.W. (GRADE 60) - 2" MIN. REBAR CLEARANCE (TYP)
  4. INVERT CHANNEL REQUIRED
  5. HOE MC-420 "SANITARY" SUPPLIED BY ICAST
  6. STEPS AT 0 DEGREES
  7. TRELLEBORG FLEXRIB 8.5" CHIMNEY SEAL SUPPLIED BY ICAST
  8. LIFTERS: 3 EA. WRA016 CONAC WIRE ROPE ANCHORS FOR PLANT & FIELD HANDLING



Coating (Int): Coating (Ext):	Seam Up: Flat Seam Dn: Groove	Wall Thickness: 6"	Height (Ext): 13"	Weight (Net): 2869 lb Volume (Net): 0.73cu.yd
----------------------------------	----------------------------------	--------------------	-------------------	--