

Job Name: 24-1260 - Combined Sewer Separation Project Ph 3
Job Location: Morganfield, KY 42437
Contractor: Deig Bros Lumber & Construction Co, Inc.

PC: J. Jarvis
 TECH: K. Cardwell
 Plant: Beaver Dam, KY



Structure ID: **SSMH 2+01B**

Spec: Sanitary
 Type: SAN.MH
 Size: 48"

Rim: 426.69'
 Invert: 419.15'
 Rim to Invert: 7.54'

Sump: 2"
 Floor (Top): 418.983'
 Floor Height: 6"

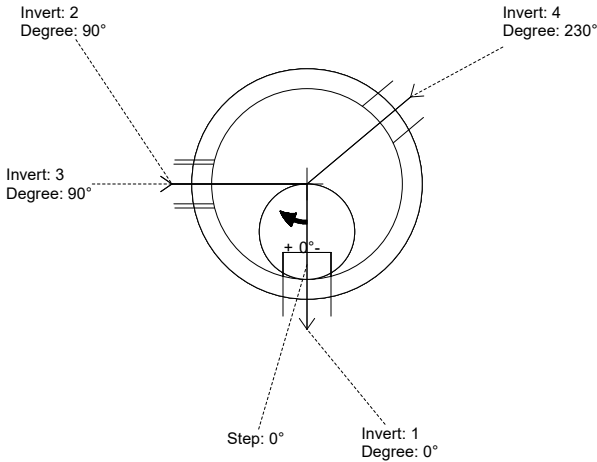
Floor (Bot): 418.483'
 Overall Height: 8.167'
 Slack: 0.48"

Structure Notes:

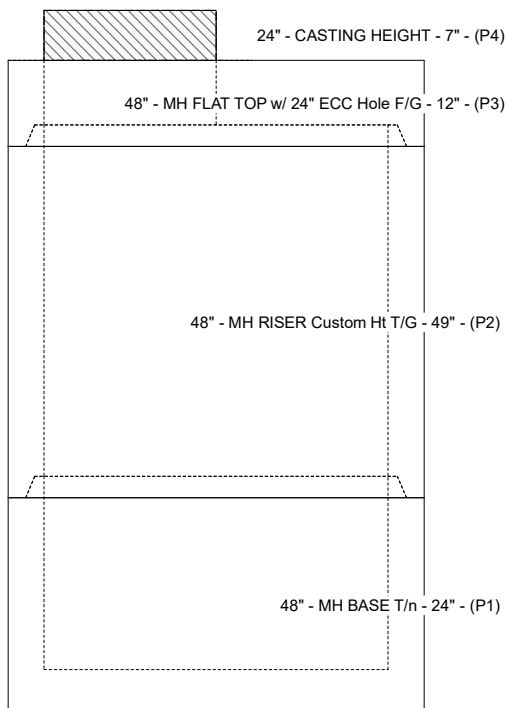
- STATION: 2+01B SAN LN D
- 1. PER ASTM C-478 SPECS
- 2. CONCRETE: 5,000 PSI AT 28 DAYS
- 3. REINFORCEMENT:
 - FLAT LID: #4 BAR @ 10" C.C. E.W. (GRADE 60)
 - BASE & RISER: PER ASTM A615
- 4. INVERT CHANNEL REQUIRED
- 5. HOE MC-420 "SANITARY" SUPPLIED BY ICAST
- 6. STEPS AT 0 DEGREES
- 7. TRELLEBORG FLEXRIB 8.5" CHIMNEY SEAL SUPPLIED BY ICAST

STRUCTURE SUMMARY:

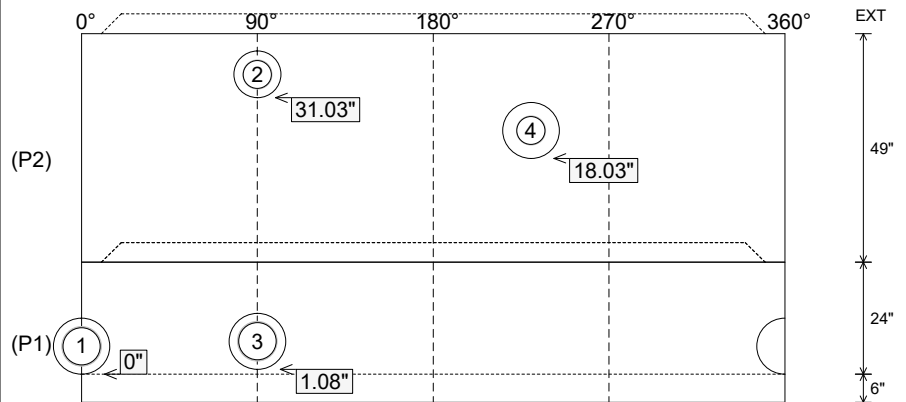
P4) 24" - CASTING HEIGHT - 7"	0 lb
P3) 48" - MH FLAT TOP w/ 24" ECC Hole F/G - 12"	1561 lb
P2) 48" - MH RISER Custom Ht T/G - 49"	3342 lb
P1) 48" - MH BASE T/n - 24"	2911 lb
1) JOINT WRAP - 0.065"x6"x50' CONSEAL CS212	0 lb
1) JOINT WRAP PRIMER - CONSEAL CS-75 (1 gal.)	0 lb
1) 48" - MH INVERT CHANNEL - FULL HEIGHT	1440 lb
1) Chimney Seal - Trelleborg FlexRib Chimney Seal	10 lb
1) CASTING - HOE MC-420 F/C Sanitary	340 lb
2) 48" - Conseal CS-102 1.00" (Double)	0 lb
2) PSX - 12-08 NYLO	16 lb
1) Kor-N-Seal1 - S406-10AW	6 lb
1) PSX - 12-06 NYLO	8 lb
5) MH Step ML-10-TDS-NCR - 10"	0 lb
Structure Total:	9635 lb



Position	Elev	Angle	Pipe	Pipe OD	Hole	Connector	Up (")	Ref
Rim	426.69'							
Reducer								
Invert 1	419.15'	0°	8" PVC SDR35	8.5"	12"	PSX 12-08 NYLO	0"	P1
Invert 2	424.09'	90°	6" PVC SDR35	6.25"	10"	Kor-N-Seal1 S406-10AW	31.03"	P2
Invert 3	419.24'	90°	8" PVC SDR35	8.5"	12"	PSX 12-08 NYLO	1.08"	P1
Invert 4	423.09'	230°	6" PVC SDR35	6.25"	12"	PSX 12-06 NYLO	18.03"	P2
Invert 5								
Invert 6								
Invert 7								
Invert 8								



Cast (Int. Dim.) - Interior Dimensions



Submittal Drawing
 11/17/2025 9:42:58 AM

SUBMITTAL
 APPROVED BY: