

Job Name: 24-1260 - Combined Sewer Separation Project Ph 3
 Job Location: Morganfield, KY 42437
 Contractor: Deig Bros Lumber & Construction Co, Inc.

Plant: Beaver Dam, KY
 11/13/2025 2:18:31 PM

Tech: K. Cardwell
 PC: J. Jarvis



Structure ID: SSMH 15+14

P1 MH048BA30

MH BASE w/DROP T/n

- P5) 24" - CASTING HEIGHT - 7"
- P4) 24" - GRADE RING F/F - 3"
- P3) 48" - ECC CONE w/ 24" HOLE F/G - 24"
- P2) 48" - MH RISER w/DROP T/G - 36"
- P1) 48" - MH BASE w/DROP T/n - 30"
- 1) JOINT WRAP - 0.065"x6"x50' CONSEAL CS212
- 1) JOINT WRAP PRIMER - CONSEAL CS-75 (1 gal.)
- 1) 48" - MH INVERT CHANNEL - FULL HEIGHT
- 1) Chimney Seal - Trelleborg FlexRib Chimney Seal
- 1) CASTING - HOE MC-420 F/C Sanitary
- 2) 48" - Conseal CS-102 1.00" (Double)
- 1) PSX - 16Y NYLO
- 1) Drop Tee - 10" PVC
- 1) Drop Elbow - 10" PVC
- 7) MH Step ML-10-TDS-NCR - 10"

- 0 lb
- 202 lb
- 1550 lb
- 4026 lb
- 4852 lb
- 0 lb
- 0 lb
- 1440 lb
- 10 lb
- 340 lb
- 0 lb
- 8 lb
- 0 lb
- 0 lb
- 0 lb

Structure Notes:
 STATION: 15+14 SAN LN A
 1. PER ASTM C-478 SPECS
 2. CONCRETE: 5,000 PSI AT 28 DAYS
 3. REINFORCEMENT: PER ASTM A615
 4. INVERT CHANNEL REQUIRED
 5. HOE MC-420 "SANITARY" SUPPLIED BY ICAST
 6. STEPS AT 0 DEGREES
 7. TRELLEBORG FLEXRIB 8.5" CHIMNEY SEAL SUPPLIED BY ICAST
 8. EXTERNAL DROP AT INVERTS 2 & 3 SUPPLIED BY ICAST
 9. ADD 10" SDR 35 DROP & ELBOW AT INVERT 3

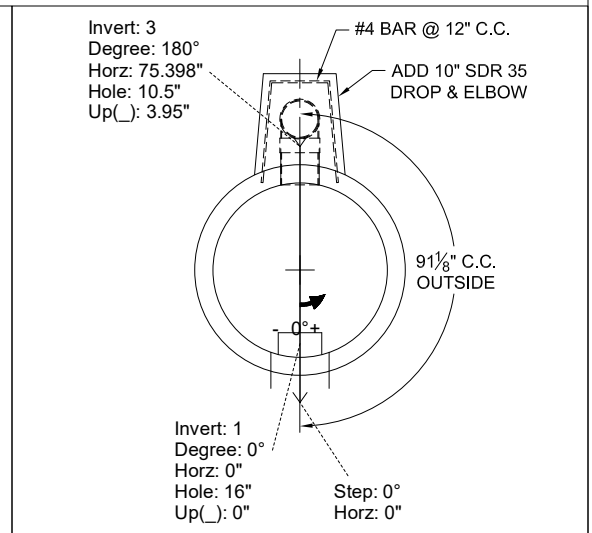
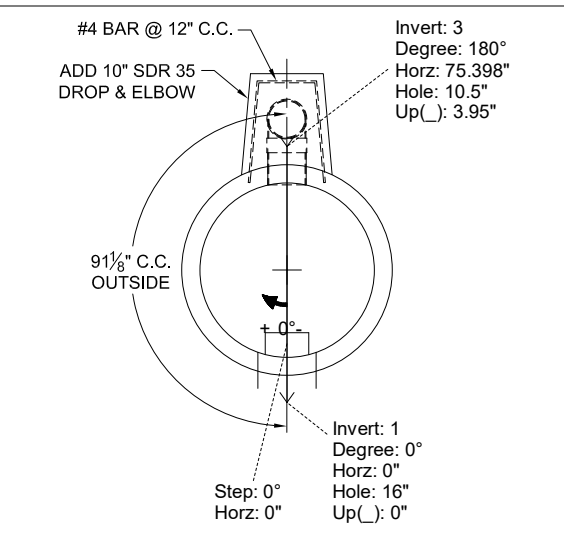
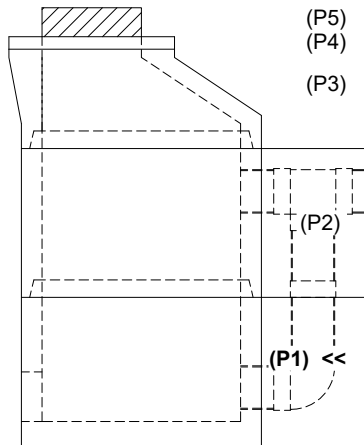
Structure Total: 12428 lb

Rim: 426.37' Rim to Invert: 8.34' Slack: 3.08" Sump: 3" Step Position: 0°

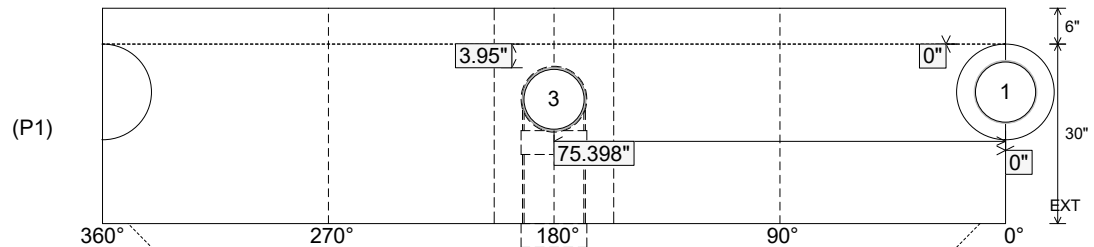
Position	Elev	Angle	Ext. (cw)	Pipe	Pipe OD	Connector	Hole	Horz Size	Up ()	Offset
Invert 1	418.03'	0°	0"	10" PVC SDR35	10.5"	PSX 16Y NYLO	16"	16.312"	0"	0"
Invert 2										
Invert 3	418.13'	180°	91.106"	10" PVC SDR35	10.5"	Drop Elbow 10" PVC	10.5"	10.586"	3.95"	0"
Invert 4										
Invert 5										
Invert 6										
Invert 7										
Invert 8										

RIGHT-SIDE UP VIEW (int. dimensions)

UPSIDE-DOWN VIEW (int. dimensions)



INSIDE WALL DIMENSIONS



Coating (Int):
 Coating (Ext):

Seam Up: Tongue
 Seam Dn: n/a

Wall Thickness: 5"
 Floor Height: 6"

Height (Int): 30"
 Height (Ext): 36"

Weight (Net): 3304 lb
 Volume (Net): 0.84cu.yd

Job Name: 24-1260 - Combined Sewer Separation Project Ph 3
 Job Location: Morganfield, KY 42437
 Contractor: Deig Bros Lumber & Construction Co, Inc.

Plant: Beaver Dam, KY
 11/13/2025 2:18:31 PM

Tech: K. Cardwell
 PC: J. Jarvis



Structure ID: SSMH 15+14

P1 MH048BA30

MH BASE w/DROP T/n

- P5) 24" - CASTING HEIGHT - 7" 0 lb
 - P4) 24" - GRADE RING F/F - 3" 202 lb
 - P3) 48" - ECC CONE w/ 24" HOLE F/G - 24" 1550 lb
 - P2) 48" - MH RISER w/DROP T/G - 36" 4026 lb
 - P1) 48" - MH BASE w/DROP T/n - 30" 4852 lb
 - 1) JOINT WRAP - 0.065"x6"x50' CONSEAL CS212 0 lb
 - 1) JOINT WRAP PRIMER - CONSEAL CS-75 (1 gal.) 0 lb
 - 1) 48" - MH INVERT CHANNEL - FULL HEIGHT 1440 lb
 - 1) Chimney Seal - Trelleborg FlexRib Chimney Seal 10 lb
 - 1) CASTING - HOE MC-420 F/C Sanitary 340 lb
 - 2) 48" - Conseal CS-102 1.00" (Double) 0 lb
 - 1) PSX - 16Y NYLO 8 lb
 - 1) Drop Tee - 10" PVC 0 lb
 - 1) Drop Elbow - 10" PVC 0 lb
 - 7) MH Step ML-10-TDS-NCR - 10" 0 lb
- Structure Total: 12428 lb

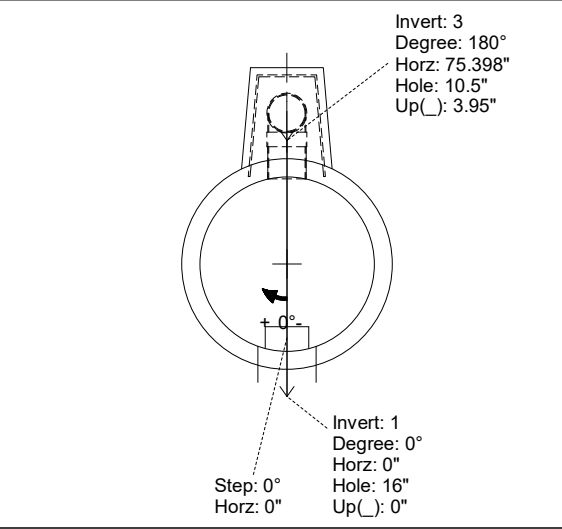
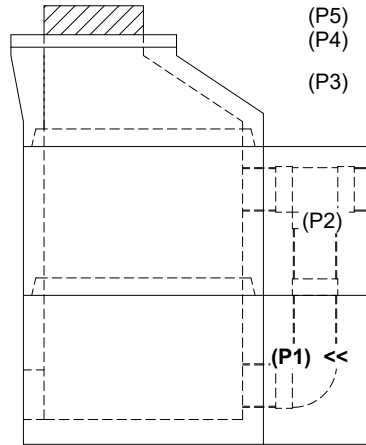
Structure Notes:
 STATION: 15+14 SAN LN A
 1. PER ASTM C-478 SPECS
 2. CONCRETE: 5,000 PSI AT 28 DAYS
 3. REINFORCEMENT: PER ASTM A615
 4. INVERT CHANNEL REQUIRED
 5. HOE MC-420 "SANITARY" SUPPLIED BY ICAST
 6. STEPS AT 0 DEGREES
 7. TRELLEBORG FLEXRIB 8.5" CHIMNEY SEAL SUPPLIED BY ICAST
 8. EXTERNAL DROP AT INVERTS 2 & 3 SUPPLIED BY ICAST

Rim: 426.37' Rim to Invert: 8.34' Slack: 3.08" Sump: 3" Step Position: 0°

Position	Elev	Angle	Ext. (cw)	Pipe	Pipe OD	Connector	Hole	Horz Size	Up ()	Offset
Invert 1	418.03'	0°	0"	10" PVC SDR35	10.5"	PSX 16Y NYLO	16"	16.312"	0"	0"
Invert 2										
Invert 3	418.13'	180°	91.106"	10" PVC SDR35	10.5"	Drop Elbow 10" PVC	10.5"	10.586"	3.95"	0"
Invert 4										
Invert 5										
Invert 6										
Invert 7										
Invert 8										

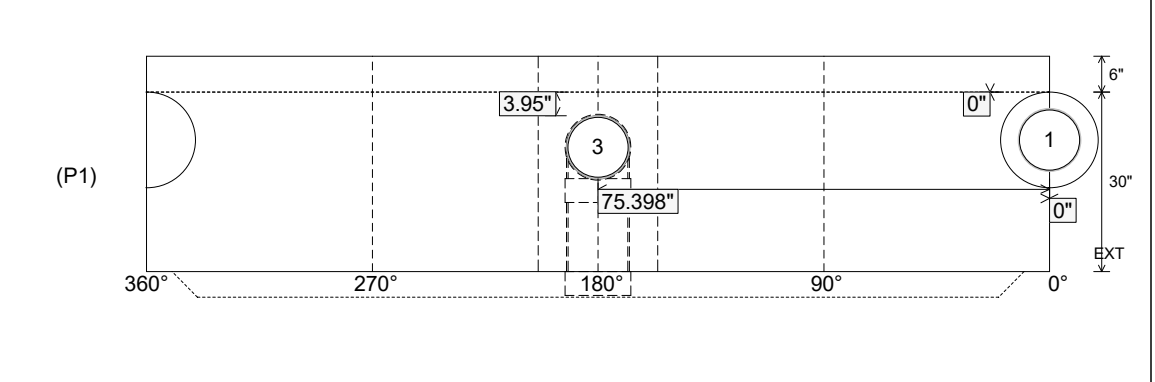
RIGHT-SIDE UP VIEW (int. dimensions)

UPSIDE-DOWN VIEW (int. dimensions)



INVERT CHANNEL DRAWING

INSIDE WALL DIMENSIONS



Coating (Int): Coating (Ext):	Seam Up: Tongue Seam Dn: n/a	Wall Thickness: 5" Floor Height: 6"	Height (Int): 30" Height (Ext): 36"	Weight (Net): 3304 lb Volume (Net): 0.84cu.yd
----------------------------------	---------------------------------	--	--	--