

Job Name: 24-1260 - Combined Sewer Separation Project Ph 3
 Job Location: Morganfield, KY 42437
 Contractor: Deig Bros Lumber & Construction Co, Inc.

Plant: Beaver Dam, KY
 11/13/2025 2:20:02 PM

Tech: K. Cardwell
 PC: J. Jarvis



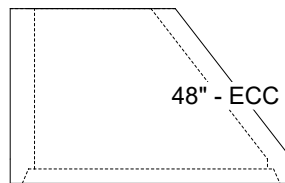
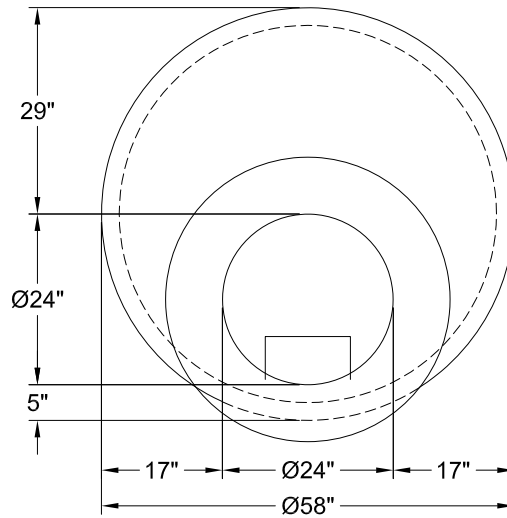
Structure ID: SSMH 14+19

P3 MH048CN36

ECC CONE w/ 24" HOLE F/G

| | |
|---|-----------------|
| P5) 24" - CASTING HEIGHT - 7" | 0 lb |
| P4) 24" - GRADE RING F/F - 3" | 202 lb |
| P3) 48" - ECC CONE w/ 24" HOLE F/G - 36" | 3000 lb |
| P2) 48" - MH RISER w/DROP T/G - 48" | 5393 lb |
| P1) 48" - MH BASE w/DROP T/n - 24" | 4101 lb |
| 1) JOINT WRAP - 0.065"x6"x50' CONSEAL CS212 | 0 lb |
| 1) JOINT WRAP PRIMER - CONSEAL CS-75 (1 gal.) | 0 lb |
| 1) 48" - MH INVERT CHANNEL - FULL HEIGHT | 1440 lb |
| 1) Chimney Seal - Trelleborg FlexRib Chimney Seal | 10 lb |
| 1) CASTING - HOE MC-420 F/C Sanitary | 340 lb |
| 2) 48" - Conseal CS-102 1.00" (Double) | 0 lb |
| 2) PSX - 16Y NYLO | 16 lb |
| 1) Drop Tee - 8" PVC | 0 lb |
| 1) Drop Elbow - 8" PVC | 0 lb |
| 9) MH Step ML-10-TDS-NCR - 10" | 0 lb |
| Structure Total: | 14502 lb |

Structure Notes:
 STATION: 14+19 SAN LN A
 1. PER ASTM C-478 SPECS
 2. CONCRETE: 5,000 PSI AT 28 DAYS
 3. REINFORCEMENT: PER ASTM A615
 4. INVERT CHANNEL REQUIRED
 5. HOE MC-420 "SANITARY" SUPPLIED BY ICAST
 6. STEPS AT 0 DEGREES
 7. TRELLEBORG FLEXRIB 8.5" CHIMNEY SEAL SUPPLIED BY ICAST



48" - ECC CONE w/ 24" HOLE F/G - 36" - (P3)

Coating (Int):
 Coating (Ext):

Seam Up: Flat
 Seam Dn: Groove

Wall Thickness: 5"

Height (Ext): 36"

Weight (Net): 3000 lb
 Volume (Net): 0.5cu.yd