

Job Name: 24-1260 - Combined Sewer Separation Project Ph 3
Job Location: Morganfield, KY 42437
Contractor: Deig Bros Lumber & Construction Co, Inc.

PC: J. Jarvis
 TECH: K. Cardwell
 Plant: Beaver Dam, KY



Structure ID: **SSMH 1+72**

Spec: Sanitary
 Type: SAN.MH
 Size: 48"

Rim: 423.48'
 Invert: 418.15'
 Rim to Invert: 5.33'

Sump: 2"
 Floor (Top): 417.983'
 Floor Height: 6"

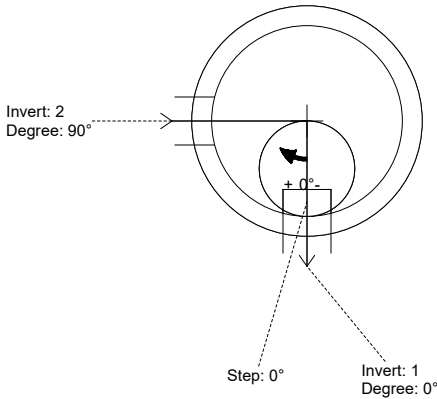
Floor (Bot): 417.483'
 Overall Height: 5.75'
 Slack: 2.96"

Structure Notes:

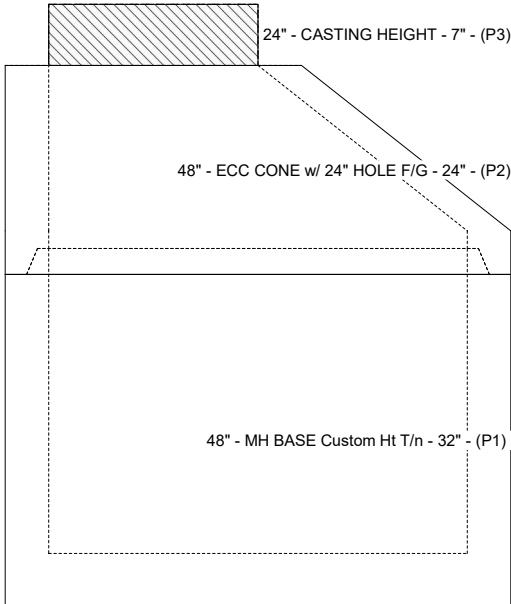
- STATION: 1+72 SAN LN F
- 1. PER ASTM C-478 SPECS
- 2. CONCRETE: 5,000 PSI AT 28 DAYS
- 3. REINFORCEMENT: PER ASTM A615
- 4. INVERT CHANNEL REQUIRED
- 5. HOE MC-420 "SANITARY" SUPPLIED BY ICAST
- 6. STEPS AT 0 DEGREES
- 7. TRELLEBORG FLEXRIB 8.5" CHIMNEY SEAL SUPPLIED BY ICAST

STRUCTURE SUMMARY:

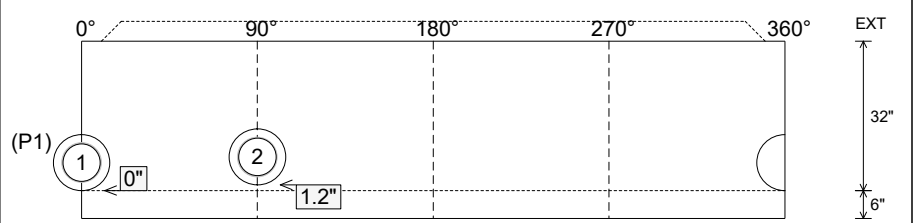
- P3) 24" - CASTING HEIGHT - 7" 0 lb
 - P2) 48" - ECC CONE w/ 24" HOLE F/G - 24" 1550 lb
 - P1) 48" - MH BASE Custom Ht T/n - 32" 3470 lb
 - 1) JOINT WRAP - 0.065"x6"x50" CONSEAL CS212 0 lb
 - 1) JOINT WRAP PRIMER - CONSEAL CS-75 (1 gal.) 0 lb
 - 1) 48" - MH INVERT CHANNEL - FULL HEIGHT 1440 lb
 - 1) Chimney Seal - Trelleborg FlexRib Chimney Seal 10 lb
 - 1) CASTING - HOE MC-420 F/C Sanitary 340 lb
 - 1) 48" - Conseal CS-102 1.00" (Double) 0 lb
 - 2) PSX - 12-08 NYLO 16 lb
 - 4) MH Step ML-10-TDS-NCR - 10" 0 lb
- Structure Total: 6826 lb**



Position	Elev	Angle	Pipe	Pipe OD	Hole	Connector	Up (L)	Ref
Rim	423.48'							
Reducer								
Invert 1	418.15'	0°	8" PVC SDR35	8.5"	12"	PSX 12-08 NYLO	0"	P1
Invert 2	418.25'	90°	8" PVC SDR35	8.5"	12"	PSX 12-08 NYLO	1.2"	P1
Invert 3								
Invert 4								
Invert 5								
Invert 6								
Invert 7								
Invert 8								



Cast (Int. Dim.) - Interior Dimensions



Submittal Drawing
 12/18/2025 9:24:30 AM

SUBMITTAL
 APPROVED BY: