

Job Name: 24-1260 - Combined Sewer Separation Project Ph 3
Job Location: Morganfield, KY 42437
Contractor: Deig Bros Lumber & Construction Co, Inc.

PC: J. Jarvis
 TECH: K. Cardwell
 Plant: Beaver Dam, KY



Structure ID: **SSMH 0+86**

Spec: Sanitary
 Type: SAN.MH
 Size: 48"

Rim: 424.7'
 Invert: 418.43'
 Rim to Invert: 6.27'

Sump: 2"
 Floor (Top): 418.263'
 Floor Height: 6"

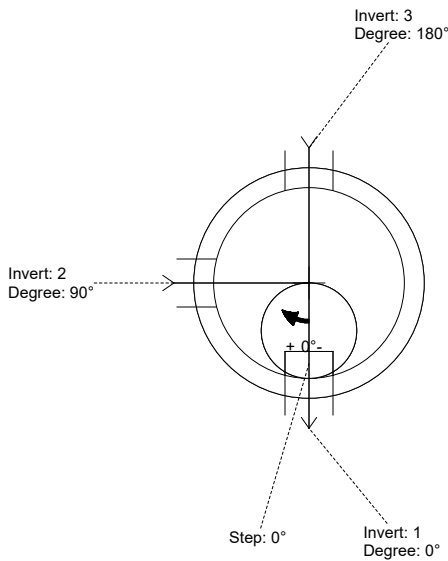
Floor (Bot): 417.763'
 Overall Height: 6.667'
 Slack: 3.24"

Structure Notes:

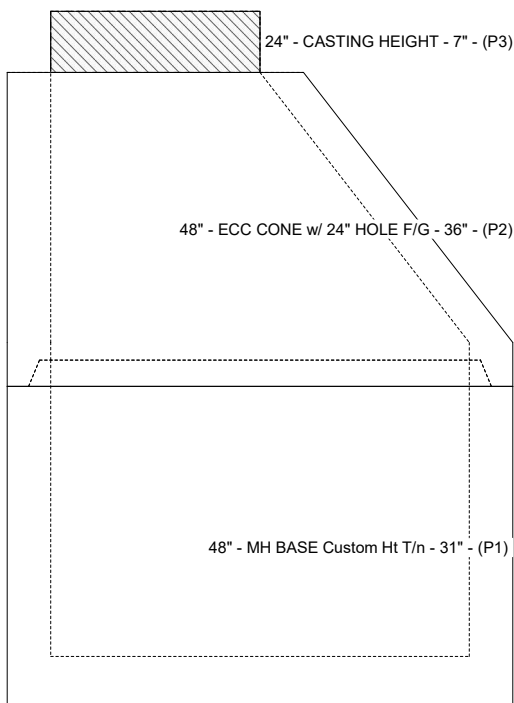
- STATION: 0+86 SAN LN D
- 1. PER ASTM C-478 SPECS
- 2. CONCRETE: 5,000 PSI AT 28 DAYS
- 3. REINFORCEMENT: PER ASTM A615
- 4. INVERT CHANNEL REQUIRED
- 5. HOE MC-420 "SANITARY" SUPPLIED BY ICAST
- 6. STEPS AT 0 DEGREES
- 7. TRELLEBORG FLEXRIB 8.5" CHIMNEY SEAL SUPPLIED BY ICAST

STRUCTURE SUMMARY:

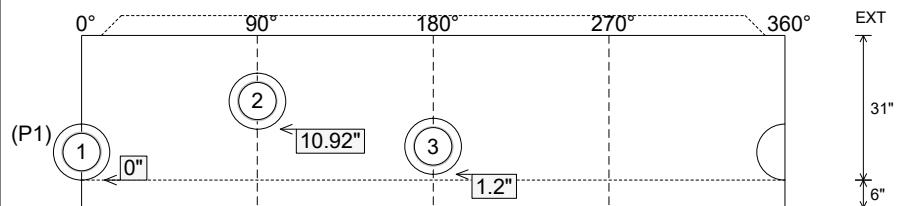
P3) 24" - CASTING HEIGHT - 7"	0 lb
P2) 48" - ECC CONE w/ 24" HOLE F/G - 36"	3000 lb
P1) 48" - MH BASE Custom Ht T/n - 31"	3352 lb
1) JOINT WRAP - 0.065"x6"x50" CONSEAL CS212	0 lb
1) JOINT WRAP PRIMER - CONSEAL CS-75 (1 gal.)	0 lb
1) 48" - MH INVERT CHANNEL - FULL HEIGHT	1440 lb
1) Chimney Seal - Trelleborg FlexRib Chimney Seal	10 lb
1) CASTING - HOE MC-420 F/C Sanitary	340 lb
1) 48" - Conseal CS-102 1.00" (Double)	0 lb
3) PSX - 12-08 NYLO	24 lb
5) MH Step ML-10-TDS-NCR - 10"	0 lb
Structure Total:	8166 lb



Position	Elev	Angle	Pipe	Pipe OD	Hole	Connector	Up (")	Ref
Rim	424.7'							
Reducer								
Invert 1	418.43'	0°	8" PVC SDR35	8.5"	12"	PSX 12-08 NYLO	0"	P1
Invert 2	419.34'	90°	8" PVC SDR35	8.5"	12"	PSX 12-08 NYLO	10.92"	P1
Invert 3	418.53'	180°	8" PVC SDR35	8.5"	12"	PSX 12-08 NYLO	1.2"	P1
Invert 4								
Invert 5								
Invert 6								
Invert 7								
Invert 8								



Cast (Int. Dim.) - Interior Dimensions



Submittal Drawing
 11/17/2025 9:42:54 AM

SUBMITTAL
 APPROVED BY: