

Structure ID: SSMH 0+86

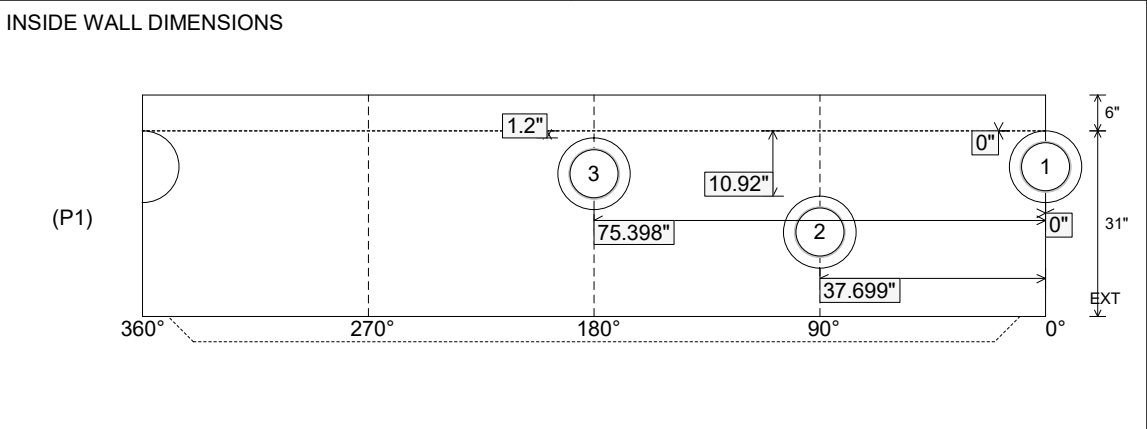
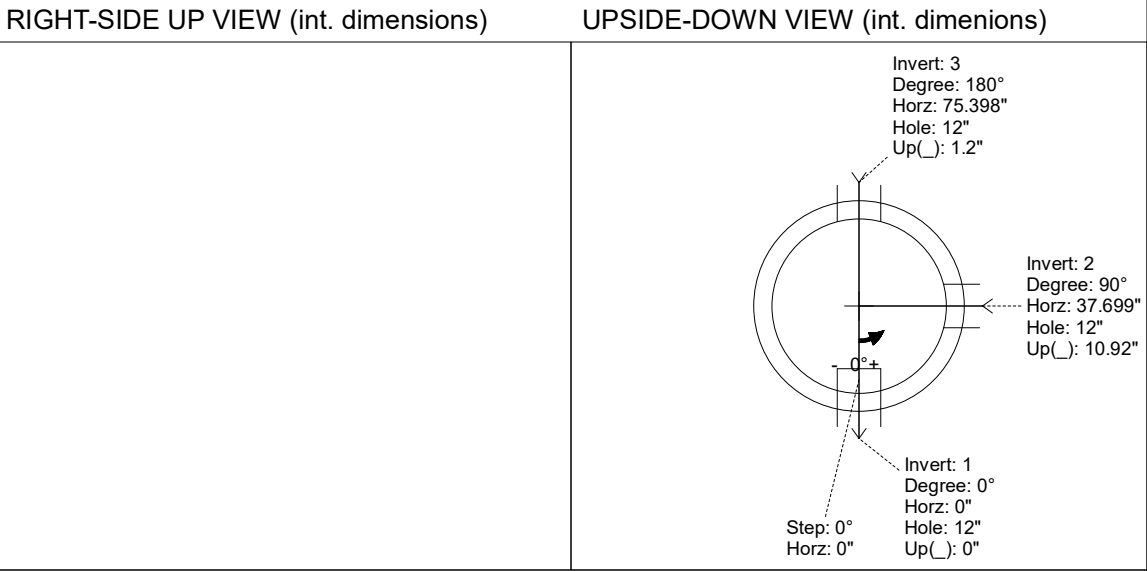
P1 MH048BAVF

MH BASE Custom Ht T/n

P3) 24" - CASTING HEIGHT - 7" P2) 48" - ECC CONE w/ 24" HOLE F/G - 36" P1) 48" - MH BASE Custom Ht T/n - 31" 1) JOINT WRAP - 0.065"x6"x50" CONSEAL CS212 1) JOINT WRAP PRIMER - CONSEAL CS-75 (1 gal.) 1) 48" - MH INVERT CHANNEL - FULL HEIGHT 1) Chimney Seal - Trelleborg FlexRib Chimney Seal 1) CASTING - HOE MC-420 F/C Sanitary 1) 48" - Conseal CS-102 1.00" (Double) 3) PSX - 12-08 NYLO 5) MH Step ML-10-TDS-NCR - 10"	0 lb 3000 lb 3352 lb 0 lb 0 lb 1440 lb 10 lb 340 lb 0 lb 24 lb 0 lb Structure Total: 8166 lb	Structure Notes: STATION: 0+86 SAN LN D 1. PER ASTM C-478 SPECS 2. CONCRETE: 5,000 PSI AT 28 DAYS 3. REINFORCEMENT: PER ASTM A615 4. INVERT CHANNEL REQUIRED 5. HOE MC-420 "SANITARY" SUPPLIED BY ICAST 6. STEPS AT 0 DEGREES 7. TRELLEBORG FLEXRIB 8.5" CHIMNEY SEAL SUPPLIED BY ICAST
--	--	--

Rim: 424.7' Rim to Invert: 6.27' Slack: 3.24" Sump: 2" Step Position: 0°

Position	Elev	Angle	Ext. (cw)	Pipe	Pipe OD	Connector	Hole	Horz Size	Up ()	Offset
Invert 1	418.43'	0°	0"	8" PVC SDR35	8.5"	PSX 12-08 NYLO	12"	12.129"	0"	0"
Invert 2	419.34'	90°	45.553"	8" PVC SDR35	8.5"	PSX 12-08 NYLO	12"	12.129"	10.92"	0"
Invert 3	418.53'	180°	91.106"	8" PVC SDR35	8.5"	PSX 12-08 NYLO	12"	12.129"	1.2"	0"
Invert 4										
Invert 5										
Invert 6										
Invert 7										
Invert 8										



Coating (Int): Coating (Ext):	Seam Up: Tongue Seam Dn: n/a	Wall Thickness: 5" Floor Height: 6"	Height (Int): 31" Height (Ext): 37"	Weight (Net): 3352 lb Volume (Net): 0.86cu.yd
----------------------------------	---------------------------------	--	--	--

Job Name: 24-1260 - Combined Sewer Separation Project Ph 3
 Job Location: Morganfield, KY 42437
 Contractor: Deig Bros Lumber & Construction Co, Inc.

Plant: Beaver Dam, KY
 11/13/2025 2:18:33 PM

Tech: K. Cardwell
 PC: J. Jarvis



Structure ID: SSMH 0+86

P1 MH048BAVF

MH BASE Custom Ht T/n

P3) 24" - CASTING HEIGHT - 7"	0 lb
P2) 48" - ECC CONE w/ 24" HOLE F/G - 36"	3000 lb
P1) 48" - MH BASE Custom Ht T/n - 31"	3352 lb
1) JOINT WRAP - 0.065"x6"x50" CONSEAL CS212	0 lb
1) JOINT WRAP PRIMER - CONSEAL CS-75 (1 gal.)	0 lb
1) 48" - MH INVERT CHANNEL - FULL HEIGHT	1440 lb
1) Chimney Seal - Trelleborg FlexRib Chimney Seal	10 lb
1) CASTING - HOE MC-420 F/C Sanitary	340 lb
1) 48" - Conseal CS-102 1.00" (Double)	0 lb
3) PSX - 12-08 NYLO	24 lb
5) MH Step ML-10-TDS-NCR - 10"	0 lb
Structure Total:	8166 lb

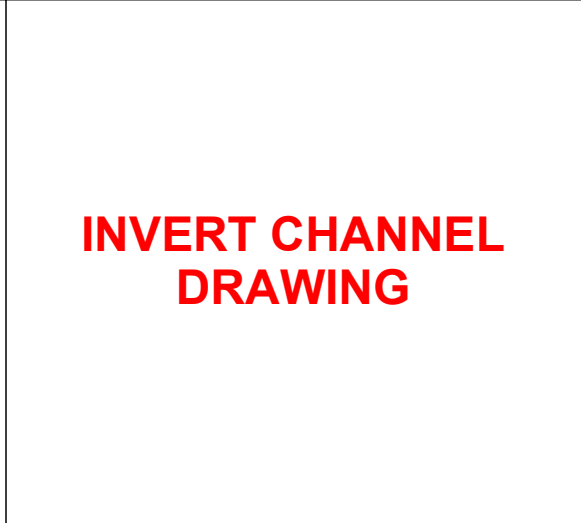
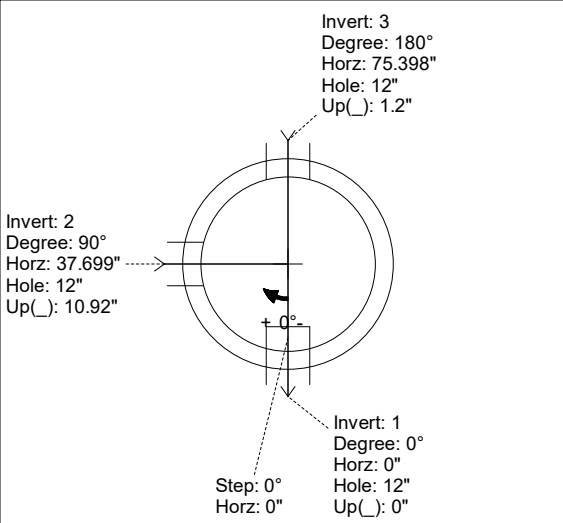
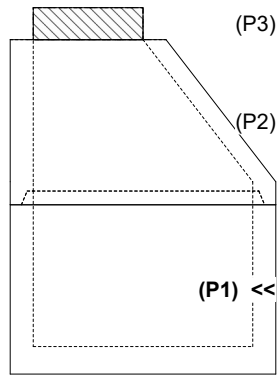
Structure Notes:
 STATION: 0+86 SAN LN D
 1. PER ASTM C-478 SPECS
 2. CONCRETE: 5,000 PSI AT 28 DAYS
 3. REINFORCEMENT: PER ASTM A615
 4. INVERT CHANNEL REQUIRED
 5. HOE MC-420 "SANITARY" SUPPLIED BY ICAST
 6. STEPS AT 0 DEGREES
 7. TRELLEBORG FLEXRIB 8.5" CHIMNEY SEAL SUPPLIED BY ICAST

Rim: 424.7' Rim to Invert: 6.27' Slack: 3.24' Sump: 2" Step Position: 0°

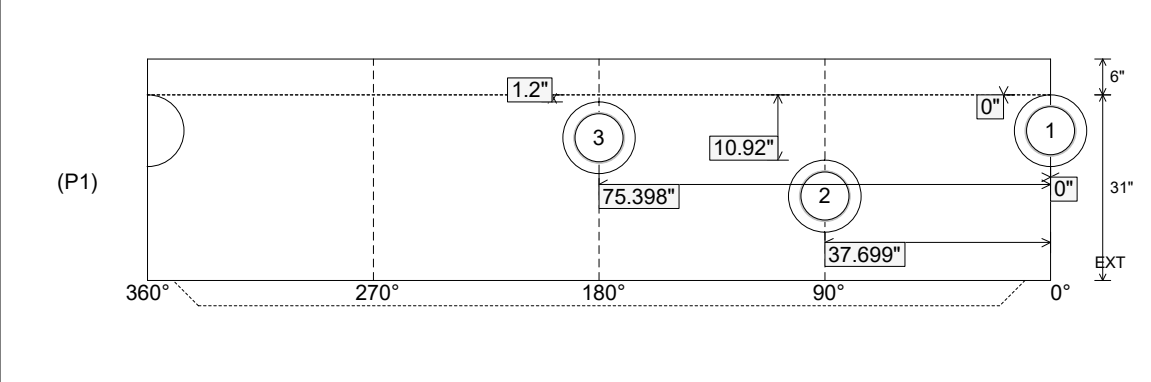
Position	Elev	Angle	Ext. (cw)	Pipe	Pipe OD	Connector	Hole	Horz Size	Up ()	Offset
Invert 1	418.43'	0°	0"	8" PVC SDR35	8.5"	PSX 12-08 NYLO	12"	12.129"	0"	0"
Invert 2	419.34'	90°	45.553"	8" PVC SDR35	8.5"	PSX 12-08 NYLO	12"	12.129"	10.92"	0"
Invert 3	418.53'	180°	91.106"	8" PVC SDR35	8.5"	PSX 12-08 NYLO	12"	12.129"	1.2"	0"
Invert 4										
Invert 5										
Invert 6										
Invert 7										
Invert 8										

RIGHT-SIDE UP VIEW (int. dimensions)

UPSIDE-DOWN VIEW (int. dimensions)



INSIDE WALL DIMENSIONS



Coating (Int): Coating (Ext):	Seam Up: Tongue Seam Dn: n/a	Wall Thickness: 5" Floor Height: 6"	Height (Int): 31" Height (Ext): 37"	Weight (Net): 3352 lb Volume (Net): 0.86cu.yd
----------------------------------	---------------------------------	--	--	--