

Job Name: 24-1260 - Combined Sewer Separation Project Ph 3
 Job Location: Morganfield, KY 42437
 Contractor: Deig Bros Lumber & Construction Co, Inc.

Plant: Beaver Dam, KY
 11/13/2025 2:19:37 PM

Tech: K. Cardwell
 PC: J. Jarvis



Structure ID: SSMH 0+12

P2 MH048RS48S-D

MH RISER w/DROP T/G

- P4) 24" - CASTING HEIGHT - 7"
- P3) 48" - ECC CONE w/ 24" HOLE F/G - 42"
- P2) 48" - MH RISER w/DROP T/G - 48"
- P1) 48" - MH BASE w/DROP T/n - 30"
- 1) JOINT WRAP - 0.065"x6"x50' CONSEAL CS212
- 1) JOINT WRAP PRIMER - CONSEAL CS-75 (1 gal.)
- 1) 48" - MH INVERT CHANNEL - FULL HEIGHT
- 1) Chimney Seal - Trelleborg FlexRib Chimney Seal
- 1) CASTING - HOE MC-420 F/C Sanitary
- 2) 48" - Conseal CS-102 1.00" (Double)
- 1) PSX - 12-08 NYLO
- 1) Drop Elbow - 8" PVC
- 1) Drop Tee - 8" PVC
- 10) MH Step ML-10-TDS-NCR - 10"

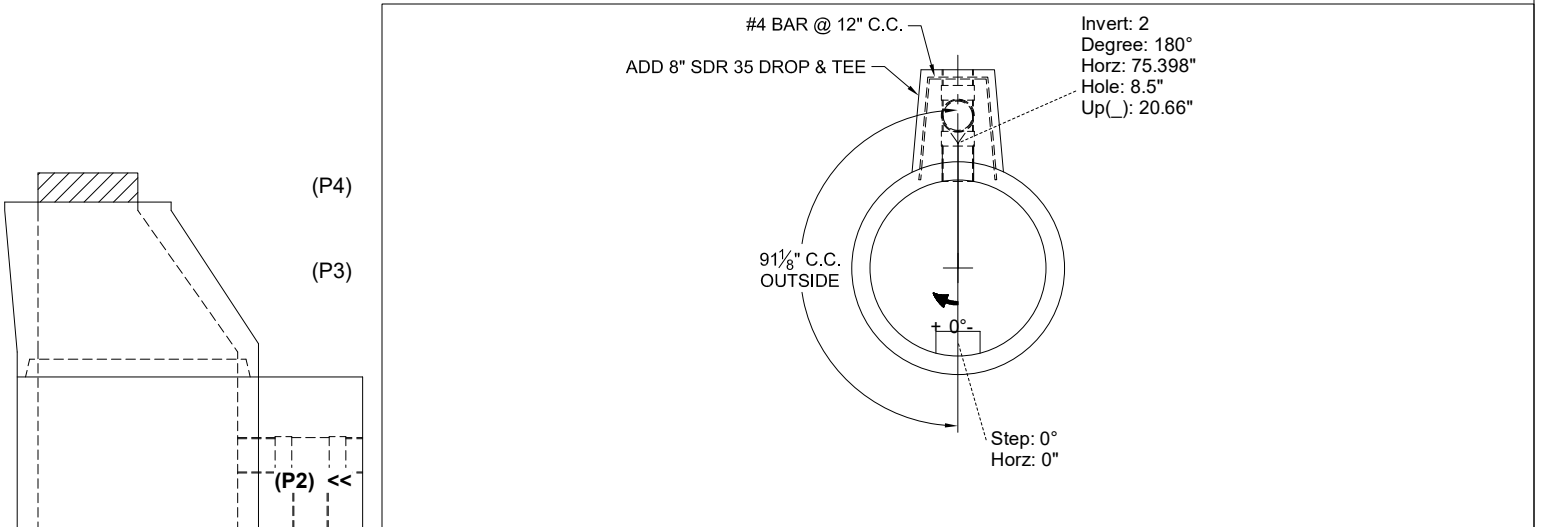
- Structure Notes:**
 STATION: 0+12 SAN LN D
1. PER ASTM C-478 SPECS
 2. CONCRETE: 5,000 PSI AT 28 DAYS
 3. REINFORCEMENT: PER ASTM A615
 4. INVERT CHANNEL REQUIRED
 5. HOE MC-420 "SANITARY" SUPPLIED BY ICAST
 6. STEPS AT 0 DEGREES
 7. TRELLEBORG FLEXRIB 8.5" CHIMNEY SEAL SUPPLIED BY ICAST
 8. EXTERNAL DROP AT INVERTS 2 & 3 SUPPLIED BY ICAST
 9. ADD 8" SDR 35 DROP & TEE AT INVERT 2

Structure Total: 15293 lb

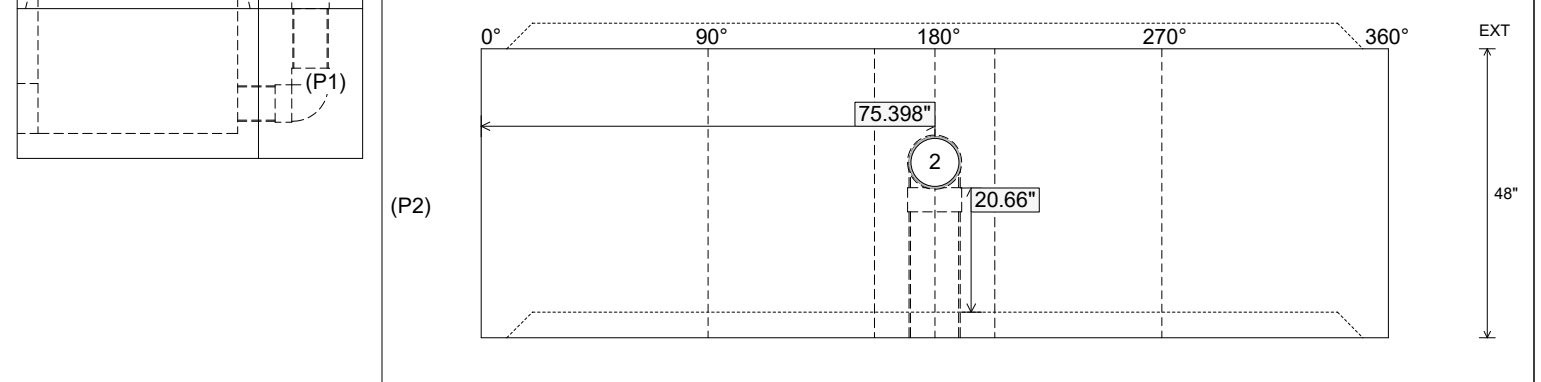
Rim: 424.4' Rim to Invert: 10.7' Slack: 3.4" Sump: 2" Step Position: 0°

Position	Elev	Angle	Ext. (cw)	Pipe	Pipe OD	Connector	Hole	Horz Size	Up ()	Offset
Invert 1										
Invert 2	418.13'	180°	91.106"	8" PVC SDR35	8.5"	Drop Tee 8" PVC	8.5"	8.545"	20.66"	0"
Invert 3										
Invert 4										
Invert 5										
Invert 6										
Invert 7										
Invert 8										

RIGHT-SIDE UP VIEW (int. dimensions)



INSIDE WALL DIMENSIONS



Coating (Int): Coating (Ext):	Seam Up: Tongue Seam Dn: Groove	Wall Thickness: 5" Floor Height: 0"	Height (Int): 48" Height (Ext): 48"	Weight (Net): 3329 lb Volume (Net): 0.85cu.yd
----------------------------------	------------------------------------	--	--	--