

Job Name: 24-1260 - Combined Sewer Separation Project Ph 3
Job Location: Morganfield, KY 42437
Contractor: Deig Bros Lumber & Construction Co, Inc.

PC: J. Jarvis
 TECH: K. Cardwell
 Plant: Beaver Dam, KY



Structure ID: **DHMH 1+97**

Spec: Storm
 Type: STM.MH (Open Btm)
 Size: 72"

Rim: 431.58'
 Invert: 427.25'
 Rim to Invert: 4.33'

Sump: 6"
 Floor (Top): 426.75'
 Floor Height: 0"

Floor (Bot): 426.75'
 Overall Height: 4.833'
 Slack: -0.04"

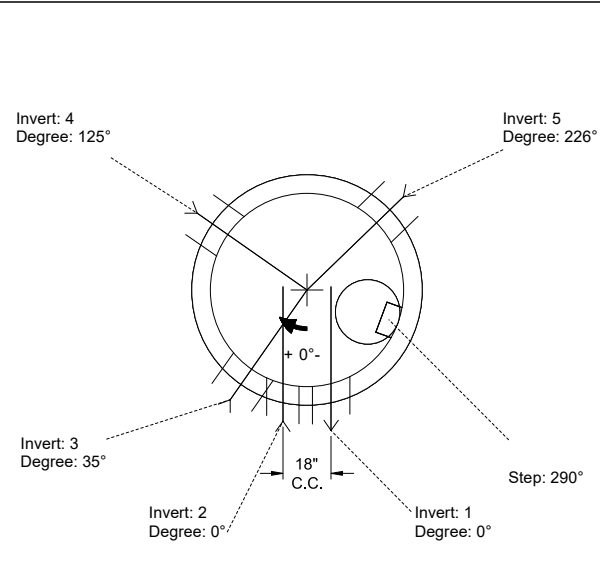
Structure Notes:

- STATION: 1+97
 1. PER ASTM C-478 SPECS
 2. CONCRETE: 5,000 PSI AT 28 DAYS
 3. REINFORCEMENT:
 - FLAT LID TOP: #4 BAR @ 18" C.C. E.W. (GRADE 60)
 - FLAT LID BOTTOM: #4 BAR @ 9" C.C. E.W. (GRADE 60)
 - DOGHOUSE RISER: PER ASTM A615
 4. STEPS AT 290 DEGREES
 5. KY-510 FRAME & COVER SUPPLIED BY ICAST
 6. INVERT 1 OFFSET 9" FROM CENTER
 7. INVERT 2 OFFSET 9" FROM CENTER

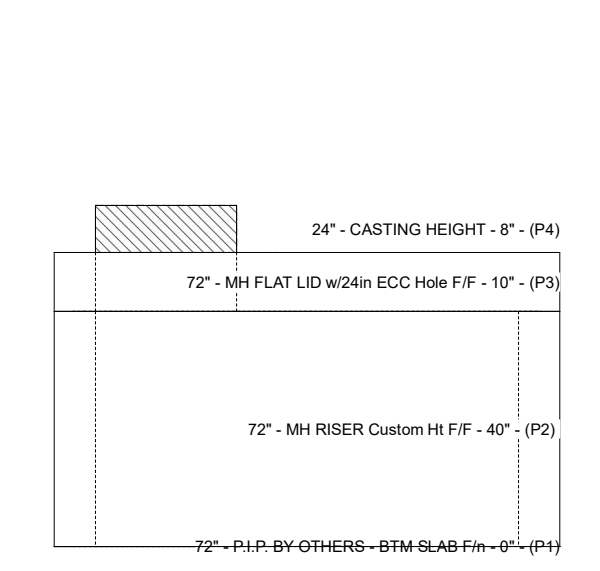
STRUCTURE SUMMARY:

P4) 24" - CASTING HEIGHT - 8"	0 lb
P3) 72" - MH FLAT LID w/24in ECC Hole F/F - 10"	4495 lb
P2) 72" - MH RISER Custom Ht F/F - 40"	5116 lb
P1) 72" - P.I.P. BY OTHERS - BTM SLAB F/n - 0"	0 lb
1) CASTING - HOE KY-510 F/C (KY TY.2)	510 lb
1) DOGHOUSE - 14"x20"	0 lb
1) DOGHOUSE - 12"x18"	0 lb
2) DOGHOUSE INVRTD - 18"x15"	0 lb
1) Hole - 18	0 lb

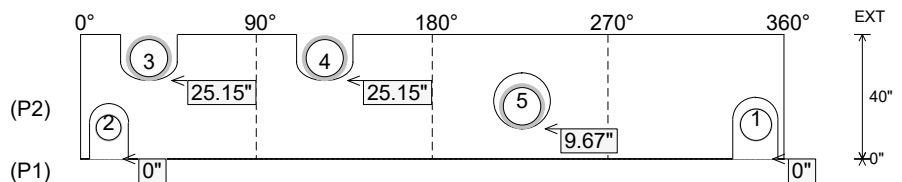
Structure Total:	10121 lb



Position	Elev	Angle	Pipe	Pipe OD	Hole	Connector	Up (L)	Ref
Rim	431.58'							
Reducer								
Invert 1	427.25'	0°	10" PVC SDR35	10.5"	14" x 14"	DOGHOUSE 14"x20"	0"	P2
Invert 2	427.25'	0°	8" PVC SDR35	8.5"	12" x 12"	DOGHOUSE 12"x18"	0"	P2
Invert 3	428.95'	35°	12" ADS N-12	14.5"	18" x 12"	DOGHOUSE INVRTD 18"x15"	25.15"	P2
Invert 4	428.95'	125°	12" ADS N-12	14.5"	18" x 12"	DOGHOUSE INVRTD 18"x15"	25.15"	P2
Invert 5	427.66'	226°	12" ADS N-12	14.5"	18"	Hole 18	9.67"	P2
Invert 6								
Invert 7								
Invert 8								



Cast (Int. Dim.) - Interior Dimensions



Submittal Drawing
 12/18/2025 9:24:37 AM

SUBMITTAL
 APPROVED BY: