

Job Name: 24-1260 - Combined Sewer Separation Project Ph 3
 Job Location: Morganfield, KY 42437
 Contractor: Deig Bros Lumber & Construction Co, Inc.

Plant: Beaver Dam, KY

Tech: K. Cardwell

12/18/2025 9:47:51 AM

PC: J. Jarvis



Structure ID: DHMH 1+97

P3 MH072LD10-24ECC

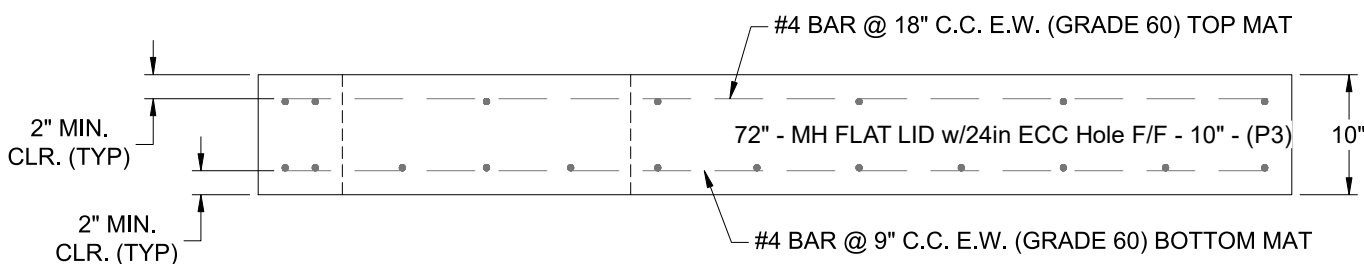
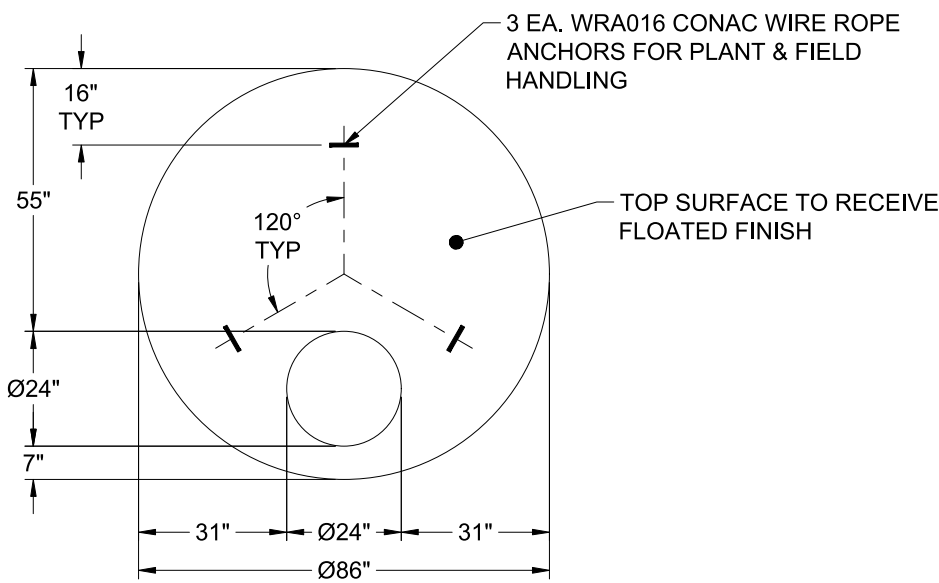
MH FLAT LID w/24in ECC Hole F/F

- P4) 24" - CASTING HEIGHT - 8"
- P3) 72" - MH FLAT LID w/24in ECC Hole F/F - 10"
- P2) 72" - MH RISER Custom Ht F/F - 40"
- P1) 72" - P.I.P. BY OTHERS - BTM SLAB F/n - 0"
- 1) CASTING - HOE KY-510 F/C (KY TY.2)
- 1) DOGHOUSE - 14"x20"
- 1) DOGHOUSE - 12"x18"
- 2) DOGHOUSE INVRTD - 18"x15"
- 1) Hole - 18"

0 lb
 4495 lb
 5116 lb
 0 lb
 510 lb
 0 lb
 0 lb
 0 lb
 0 lb
 0 lb

 Structure Total: 10121 lb

- Structure Notes:
 STATION: 1+97
1. PER ASTM C-478 SPECS
 2. CONCRETE: 5,000 PSI AT 28 DAYS
 3. REINFORCEMENT - 2" MIN. REBAR CLEARANCE (TYP):
 - TOP MAT: #4 BAR @ 18" C.C. E.W. (GRADE 60)
 - BOTTOM MAT: #4 BAR @ 9" C.C. E.W. (GRADE 60)
 4. STEPS AT 290 DEGREES
 5. KY-510 FRAME & COVER SUPPLIED BY ICAST
 6. LIFTERS: 3 EA. WRA016 CONAC WIRE ROPE ANCHORS FOR PLANT & FIELD HANDLING



Coating (Int): Coating (Ext):	Seam Up: Flat Seam Dn: Flat	Wall Thickness: 7"	Height (Ext): 10"	Weight (Net): 4495 lb Volume (Net): 1.15cu.yd
----------------------------------	--------------------------------	--------------------	-------------------	--------------------------------------------------