

Job Name: 24-1260 - Combined Sewer Separation Project Ph 3  
 Job Location: Morganfield, KY 42437  
 Contractor: Deig Bros Lumber & Construction Co, Inc.

Plant: Beaver Dam, KY  
 12/18/2025 9:47:15 AM

Tech: K. Cardwell  
 PC: J. Jarvis



**Structure ID: DHMH 1+97**

**P2 MH072RSVF**

**MH RISER Custom Ht F/F**

- P4) 24" - CASTING HEIGHT - 8"
- P3) 72" - MH FLAT LID w/24in ECC Hole F/F - 10"
- P2) 72" - MH RISER Custom Ht F/F - 40"
- P1) 72" - P.I.P. BY OTHERS - BTM SLAB F/n - 0"
- 1) CASTING - HOE KY-510 F/C (KY TY.2)
- 1) DOGHOUSE - 14"x20"
- 1) DOGHOUSE - 12"x18"
- 2) DOGHOUSE INVRTD - 18"x15"
- 1) Hole - 18

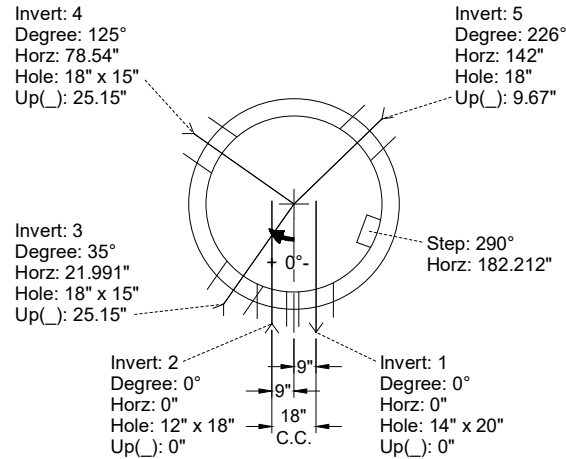
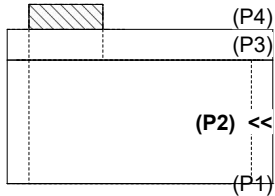
0 lb  
 4495 lb  
 5116 lb  
 0 lb  
 510 lb  
 0 lb  
 0 lb  
 0 lb  
 0 lb  
 0 lb  
 Structure Total: 10121 lb

- Structure Notes:**  
 STATION: 1+97
1. PER ASTM C-478 SPECS
  2. CONCRETE: 5,000 PSI AT 28 DAYS
  3. REINFORCEMENT: PER ASTM A615
  4. STEPS AT 290 DEGREES
  5. KY-510 FRAME & COVER SUPPLIED BY ICAST
  6. INVERT 1 OFFSET 9" FROM CENTER
  7. INVERT 2 OFFSET 9" FROM CENTER

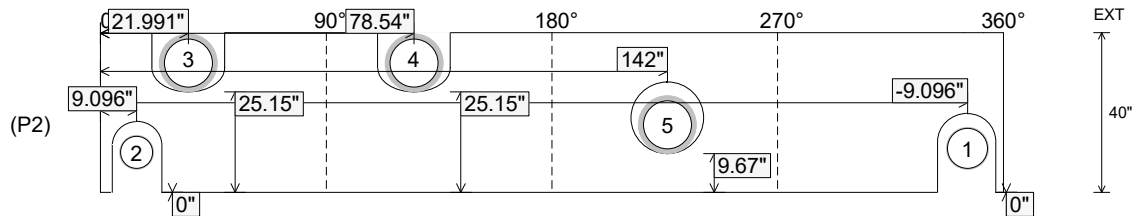
Rim: 431.58' Rim to Invert: 4.33' Slack: -0.04" Sump: 6" Step Position: 290°

Position	Elev	Angle	Ext. (cw)	Pipe	Pipe OD	Connector	Hole	Horz Size	Up ( )	Offset
Invert 1	427.25'	0°	-9.067"	10" PVC SDR35	10.5"	DOGHOUSE 14"x20"	14" x 20"	14.579"	0"	-9"
Invert 2	427.25'	0°	9.067"	8" PVC SDR35	8.5"	DOGHOUSE 12"x18"	12" x 18"	12.468"	0"	9"
Invert 3	428.95'	35°	26.267"	12" ADS N-12	14.5"	DOGHOUSE INVRTD 18"x15"	18" x 15"	18.193"	25.15"	0"
Invert 4	428.95'	125°	93.811"	12" ADS N-12	14.5"	DOGHOUSE INVRTD 18"x15"	18" x 15"	18.193"	25.15"	0"
Invert 5	427.66'	226°	169.611"	12" ADS N-12	14.5"	Hole 18	18"	18.193"	9.67"	0"
Invert 6										
Invert 7										
Invert 8										

**RIGHT-SIDE UP VIEW (int. dimensions)**



**INSIDE WALL DIMENSIONS**



Coating (Int):  
 Coating (Ext):

Seam Up: Flat  
 Seam Dn: Flat

Wall Thickness: 7"  
 Floor Height: 0"

Height (Int): 40"  
 Height (Ext): 40"

Weight (Net): 5116 lb  
 Volume (Net): 1.31cu.yd