

Job Name: 24-1260 - Combined Sewer Separation Project Ph 3
Job Location: Morganfield, KY 42437
Contractor: Deig Bros Lumber & Construction Co, Inc.

PC: J. Jarvis
 TECH: K. Cardwell
 Plant: Beaver Dam, KY



Structure ID: **CB 26**
 Spec: KYTC
 Type: DBI TYPE 11
 Size: 24" x 30"

Rim: 426.34'
 Invert: 423.34'
 Rim to Invert: 3'

Sump: 0"
 Floor (Top): 423.34'
 Floor Height: 8"

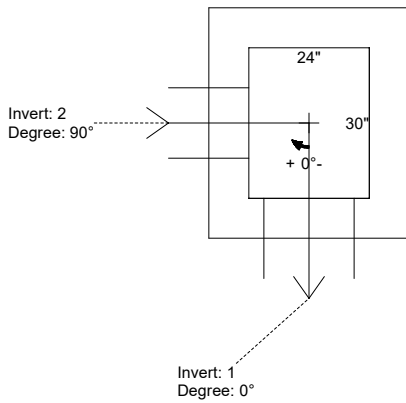
Floor (Bot): 422.673'
 Overall Height: 3.417'
 Slack: 3"

Structure Notes:

1. PER KYTC DBI TYPE 11 / ASTM C-913 SPECS
2. CONCRETE: 5,000 PSI AT 28 DAYS
3. REINFORCEMENT: #5 BAR @ 12" C.C. E.W. (GRADE 60)
4. KY-460 FRAME & GRATE SUPPLIED BY ICAST

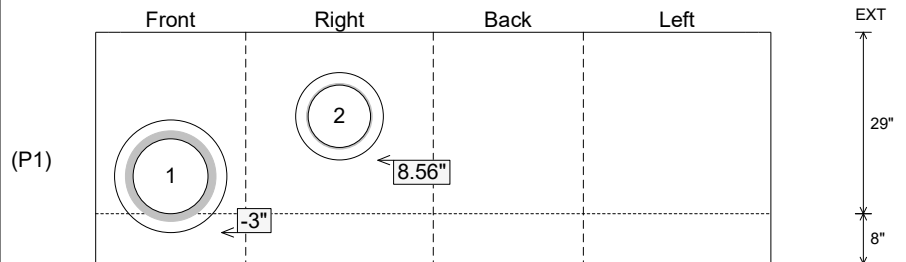
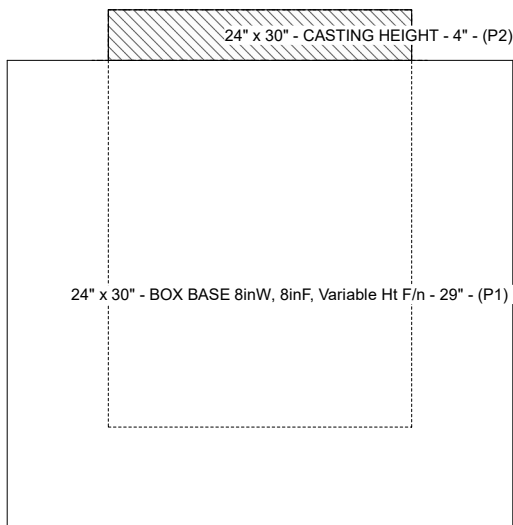
STRUCTURE SUMMARY:

P2) 24" x 30" - CASTING HEIGHT - 4" 0 lb
 P1) 24" x 30" - BOX BASE 8inW, 8inF, Variable Ht F/n - 29" 3686 lb
 1) CASTING - HOE KY-460-11 F/G (DBI 11) 421 lb
 1) 24" x 30" - Conseal CS-102 1.00" 0 lb
 1) Hole - 18 0 lb
 1) Hole - 14 0 lb
 _____ 0 lb
 Structure Total: 4107 lb



Position	Elev	Angle	Pipe	Pipe OD	Hole	Connector	Up ()	Ref
Rim	426.34'							
Reducer								
Invert 1	423.34'	0°	12" HDPE	14.5"	18"	Hole 18	-3"	P1
Invert 2	424.22'	90°	10" PVC SDR35	10.5"	14"	Hole 14	8.56"	P1
Invert 3								
Invert 4								
Invert 5								
Invert 6								
Invert 7								
Invert 8								

Cast (Int. Dim.) - Interior Dimensions



Submittal Drawing
 11/6/2025 6:33:03 AM

SUBMITTAL
 APPROVED BY: