

Job Name: 24-1260 - Combined Sewer Separation Project Ph 3
Job Location: Morganfield, KY 42437
Contractor: Deig Bros Lumber & Construction Co, Inc.

PC: J. Jarvis
 TECH: K. Cardwell
 Plant: Beaver Dam, KY



Structure ID: **CB 25**
 Spec: KYTC
 Type: DBI TYPE 11
 Size: 24" x 30"

Rim: 425'
 Invert: 420'
 Rim to Invert: 5'

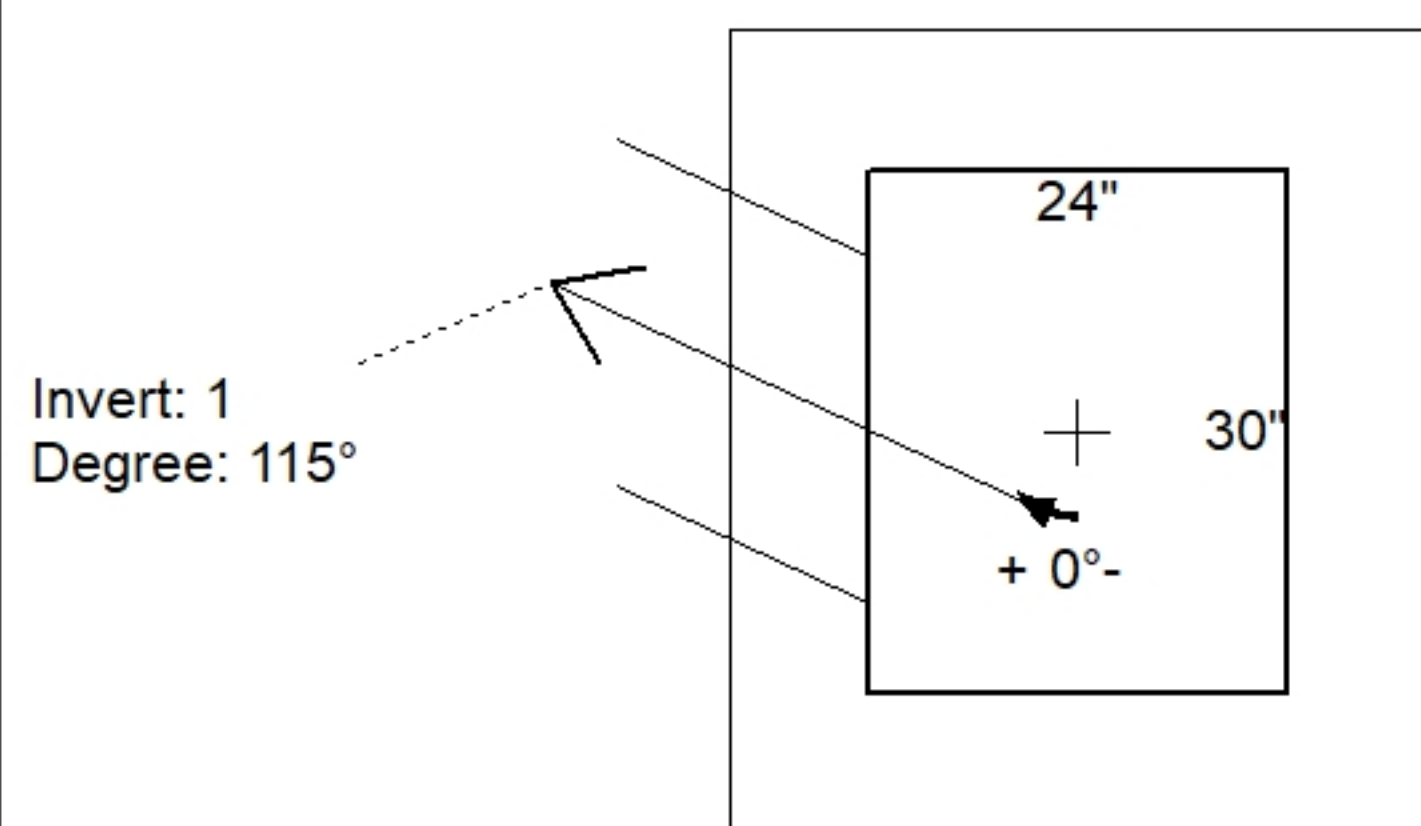
Sump: 0"
 Floor (Top): 420'
 Floor Height: 8"

Floor (Bot): 419.333'
 Overall Height: 5.417'
 Slack: 3"

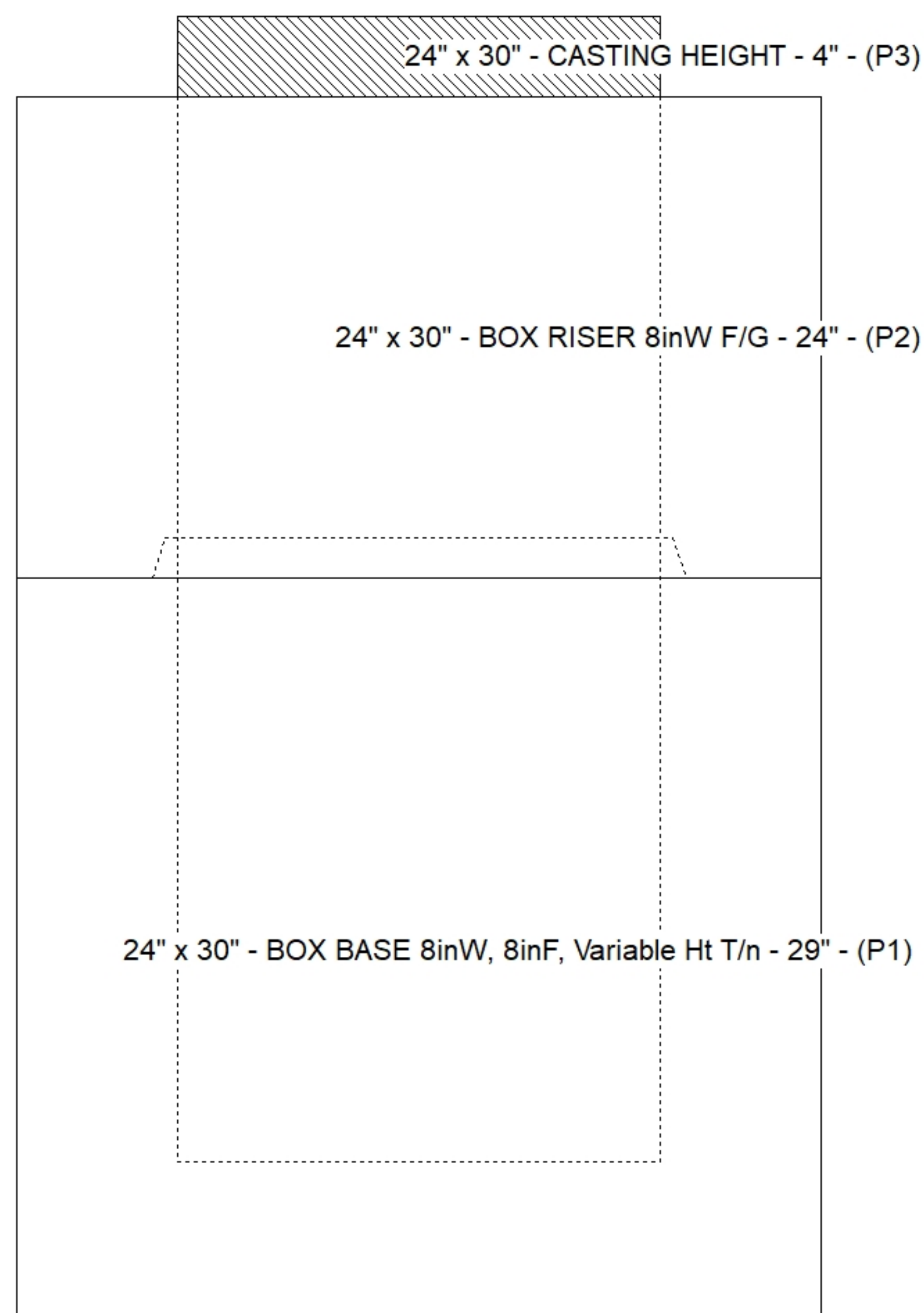
Structure Notes:
 STATION: 12+40 STORM LN A
 1. PER KYTC DBI TYPE 11 / ASTM C-913 SPECS
 2. CONCRETE: 5,000 PSI AT 28 DAYS
 3. REINFORCEMENT: #5 BAR @ 12" C.C. E.W. (GRADE 60)
 4. KY-460 FRAME & GRATE SUPPLIED BY ICAST

STRUCTURE SUMMARY:

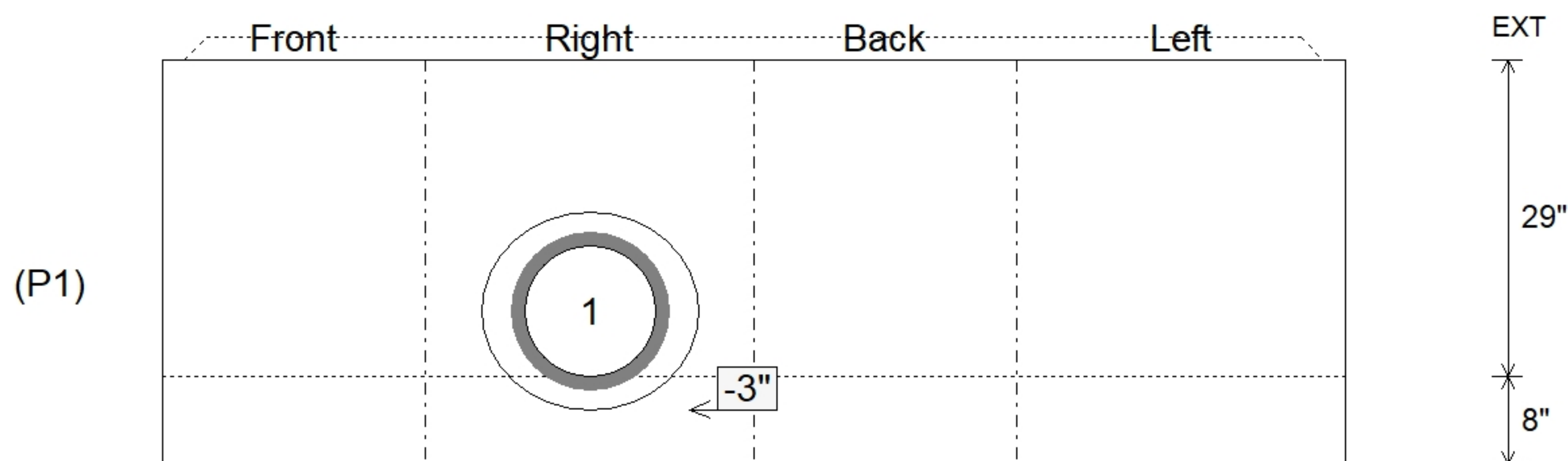
P3) 24" x 30" - CASTING HEIGHT - 4"	0 lb
P2) 24" x 30" - BOX RISER 8inW F/G - 24"	2256 lb
P1) 24" x 30" - BOX BASE 8inW, 8inF, Variable Ht T/n - 29"	3772 lb
1) CASTING - HOE KY-460-11 F/G (DBI 11)	421 lb
2) 24" x 30" - Conseal CS-102 1.00"	0 lb
1) Hole - 18	0 lb
Structure Total:	6449 lb



Position	Elev	Angle	Pipe	Pipe OD	Hole	Connector	Up ()	Ref
Rim	425'							
Reducer								
Invert 1	420'	115°	12" ADS N-12	14.5"	18"	Hole 18	-3"	P1
Invert 2								
Invert 3								
Invert 4								
Invert 5								
Invert 6								
Invert 7								
Invert 8								



Cast (Int. Dim.) - Interior Dimensions



Submittal Drawing
 10/13/2025 12:53:08 PM

SUBMITTAL
 APPROVED BY: