

Job Name: 24-1260 - Combined Sewer Separation Project Ph 3
Job Location: Morganfield, KY 42437
Contractor: Deig Bros Lumber & Construction Co, Inc.

PC: J. Jarvis
 TECH: K. Cardwell
 Plant: Beaver Dam, KY



Structure ID: **CB 21**
 Spec: KYTC
 Type: DBI TYPE 11
 Size: 24" x 30"

Rim: 431'
 Invert: 429.41'
 Rim to Invert: 1.59'

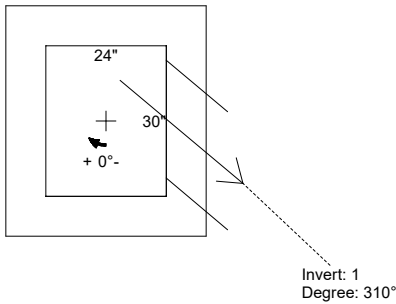
Sump: 0"
 Floor (Top): 429.41'
 Floor Height: 8"

Floor (Bot): 428.743'
 Overall Height: 2.167'
 Slack: 1.08"

Structure Notes:
 STATION: 1+78
 1. PER KYTC DBI TYPE 11 / ASTM C-913 SPECS
 2. CONCRETE: 5,000 PSI AT 28 DAYS
 3. REINFORCEMENT: #5 BAR @ 12" C.C. E.W. (GRADE 60)
 4. KY-460 FRAME & GRATE SUPPLIED BY ICAST

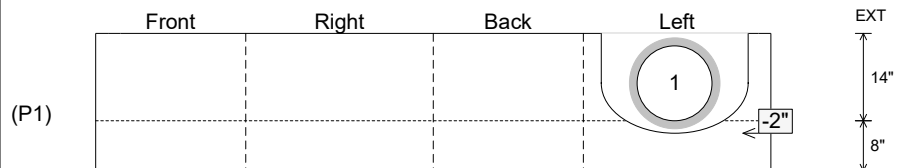
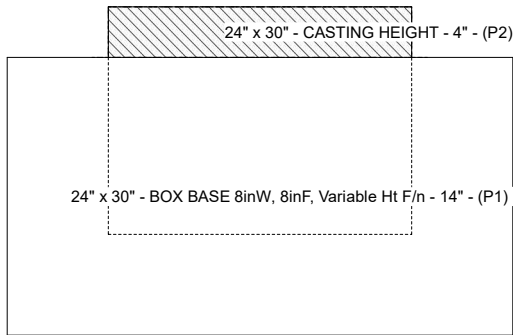
STRUCTURE SUMMARY:

P2) 24" x 30" - CASTING HEIGHT - 4"	0 lb
P1) 24" x 30" - BOX BASE 8inW, 8inF, Variable Ht F/n - 14"	2326 lb
1) CASTING - HOE KY-460-11 F/G (DBI 11)	421 lb
1) 24" x 30" - Conseal CS-102 1.00"	0 lb
1) DOGHOUSE INVRTD - 18"x16"	0 lb
	Structure Total: 2747 lb



Position	Elev	Angle	Pipe	Pipe OD	Hole	Connector	Up ()	Ref
Rim	431'							
Reducer								
Invert 1	429.41'	310°	12" ADS N-12	14.5"	18" x 16"	DOGHOUSE INVRTD 18"x16"	-2"	P1
Invert 2								
Invert 3								
Invert 4								
Invert 5								
Invert 6								
Invert 7								
Invert 8								

Cast (Int. Dim.) - Interior Dimensions



Submittal Drawing
 12/18/2025 9:24:35 AM

SUBMITTAL
 APPROVED BY: