

Job Name: 24-1260 - Combined Sewer Separation Project Ph 3  
 Job Location: Morganfield, KY 42437  
 Contractor: Deig Bros Lumber & Construction Co, Inc.

Plant: Beaver Dam, KY

Tech: K. Cardwell

12/18/2025 9:46:48 AM

PC: J. Jarvis



**Structure ID: CB 21**

**P1 BX24300808VF**

**BOX BASE 8inW, 8inF, Variable Ht F/n**

- P2) 24" x 30" - CASTING HEIGHT - 4"
- P1) 24" x 30" - BOX BASE 8inW, 8inF, Variable Ht F/n - 14"
- 1) CASTING - HOE KY-460-11 F/G (DBI 11)
- 1) 24" x 30" - Conseal CS-102 1.00"
- 1) DOGHOUSE INVRTD - 18"x16"

0 lb  
 2326 lb  
 421 lb  
 0 lb  
 0 lb  
 -----  
 Structure Total: 2747 lb

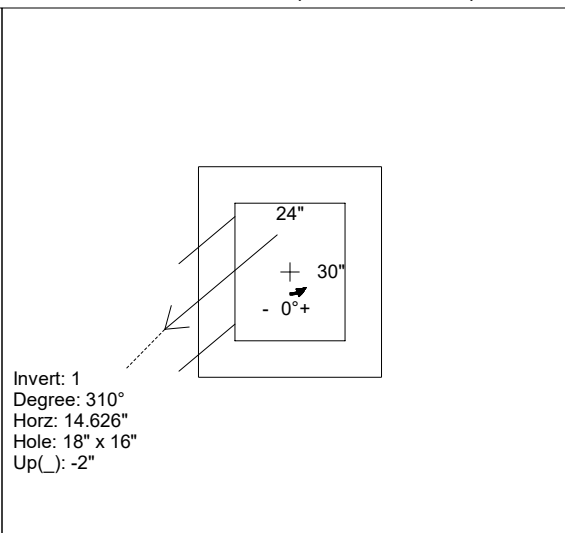
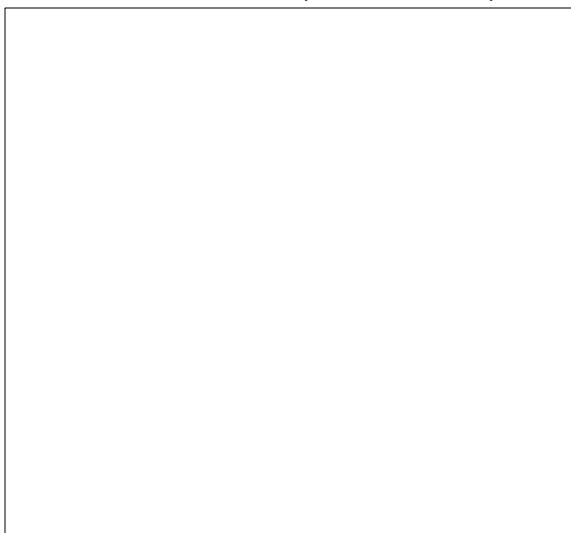
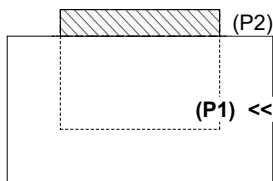
- Structure Notes:  
 STATION: 1+78
1. PER KYTC DBI TYPE 11 / ASTM C-913 SPECS
  2. CONCRETE: 5,000 PSI AT 28 DAYS
  3. REINFORCEMENT: #5 BAR @ 12" C.C. E.W. (GRADE 60) - 2" MIN. REBAR CLEARANCE (TYP)
  4. KY-460 FRAME & GRATE SUPPLIED BY ICAST

Rim: 431'    Rim to Invert: 1.59'    Slack: 1.08"    Sump: 0"    Step Position:

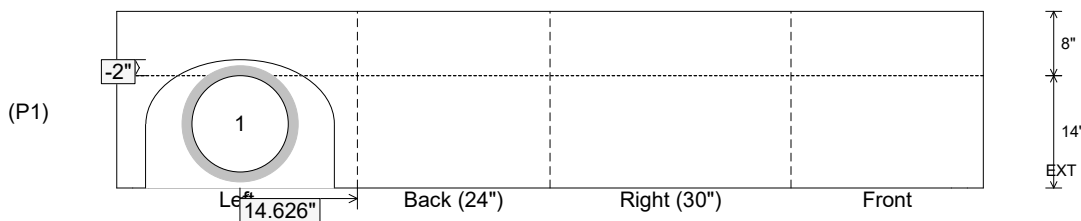
Position	Elev	Angle	Ext. (cw)	Pipe	Pipe OD	Connector	Hole	Horz Size	Up ( )	Offset
Invert 1	429.41'	310°	29.339"	12" ADS N-12	14.5"	DOGHOUSE INVRTD 18"x16"	18" x 16"	23.497"	-2"	-8"
Invert 2										
Invert 3										
Invert 4										
Invert 5										
Invert 6										
Invert 7										
Invert 8										

RIGHT-SIDE UP VIEW (int. dimensions)

UPSIDE-DOWN VIEW (int. dimensions)



INSIDE WALL DIMENSIONS



Coating (Int):  
 Coating (Ext):

Seam Up: Flat  
 Seam Dn: n/a

Wall Thickness: 8"  
 Floor Height: 8"

Height (Int): 14"  
 Height (Ext): 22"

Weight (Net): 2326 lb  
 Volume (Net): 0.59cu.yd