

Job Name: 24-1260 - Combined Sewer Separation Project Ph 3
Job Location: Morganfield, KY 42437
Contractor: Deig Bros Lumber & Construction Co, Inc.

PC: J. Jarvis
 TECH: K. Cardwell
 Plant: Beaver Dam, KY



Structure ID: **CB 2**
 Spec: KYTC
 Type: DBI TYPE 11
 Size: 24" x 30"

Rim: 415'
 Invert: 413.17'
 Rim to Invert: 1.83'

Sump: 0"
 Floor (Top): 413.17'
 Floor Height: 8"

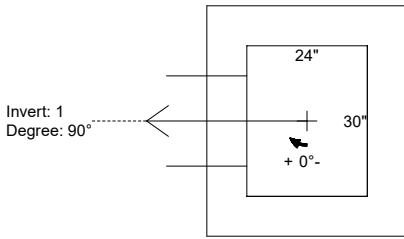
Floor (Bot): 412.503'
 Overall Height: 2.25'
 Slack: 2.96"

Structure Notes:
 STATION: 0+90 STORM LN B
 1. PER KYTC DBI TYPE 11 / ASTM C-913 SPECS
 2. CONCRETE: 5,000 PSI AT 28 DAYS
 3. REINFORCEMENT: #5 BAR @ 12" C.C. E.W. (GRADE 60)
 4. KY-460 FRAME & GRATE SUPPLIED BY ICAST

STRUCTURE SUMMARY:

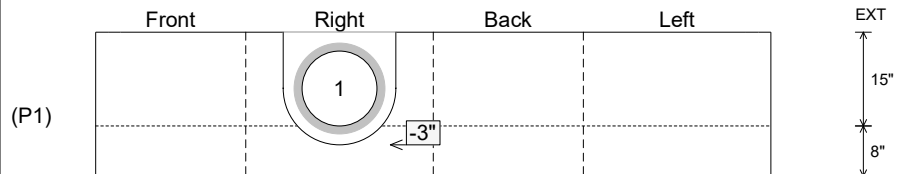
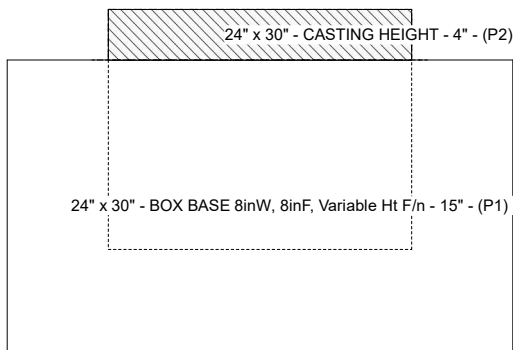
P2) 24" x 30" - CASTING HEIGHT - 4" 0 lb
 P1) 24" x 30" - BOX BASE 8inW, 8inF, Variable Ht F/n - 15" 2451 lb
 1) CASTING - HOE KY-460-11 F/G (DBI 11) 421 lb
 1) 24" x 30" - Conseal CS-102 1.00" 0 lb
 1) DOGHOUSE INVRTD - 18"x18" 0 lb

Structure Total: 2872 lb



Position	Elev	Angle	Pipe	Pipe OD	Hole	Connector	Up (L)	Ref
Rim	415'							
Reducer								
Invert 1	413.17'	90°	12" ADS N-12	14.5"	18" x 18"	DOGHOUSE INVRTD 18"x18"	-3"	P1
Invert 2								
Invert 3								
Invert 4								
Invert 5								
Invert 6								
Invert 7								
Invert 8								

Cast (Int. Dim.) - Interior Dimensions



Submittal Drawing
 12/1/2025 6:29:44 AM

SUBMITTAL
 APPROVED BY: