

Job Name: 24-1260 - Combined Sewer Separation Project Ph 3  
 Job Location: Morganfield, KY 42437  
 Contractor: Deig Bros Lumber & Construction Co, Inc.

Plant: Beaver Dam, KY  
 12/18/2025 12:24:50 PM

Tech: K. Cardwell  
 PC: J. Jarvis



**Structure ID: CB 19**

**P1 BX24300808VF**

**BOX BASE 8inW, 8inF, Variable Ht F/n**

P2) 24" x 30" - CASTING HEIGHT - 4"  
 P1) 24" x 30" - BOX BASE 8inW, 8inF, Variable Ht F/n - 29"  
 1) CASTING - HOE KY-460-11 F/G (DBI 11)  
 1) 24" x 30" - Conseal CS-102 1.00"  
 1) Hole - 18

0 lb  
 3790 lb  
 421 lb  
 0 lb  
 0 lb  
 Structure Total: 4211 lb

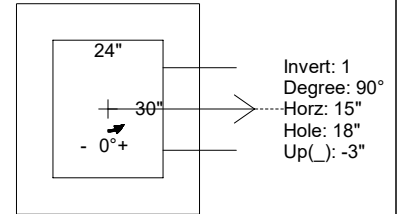
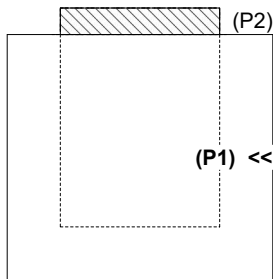
**Structure Notes:**  
 1. PER KYTC DBI TYPE 11 / ASTM C-913 SPECS  
 2. CONCRETE: 5,000 PSI AT 28 DAYS  
 3. REINFORCEMENT: #5 BAR @ 12" C.C. E.W. (GRADE 60) - 2" MIN. REBAR CLEARANCE (TYP)  
 4. KY-460 FRAME & GRATE SUPPLIED BY ICAST

Rim: 419.67' Rim to Invert: 3' Slack: 3" Sump: 0" Step Position:

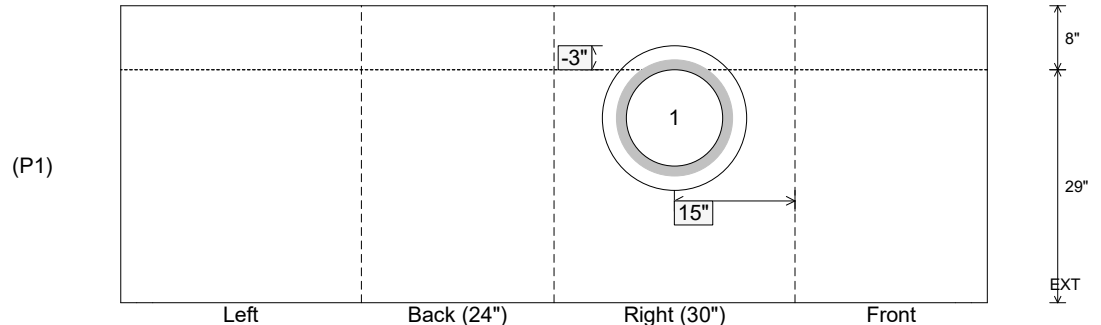
Position	Elev	Angle	Ext. (cw)	Pipe	Pipe OD	Connector	Hole	Horz Size	Up ( )	Offset
Invert 1	416.67'	90°	23"	12" ADS N-12	14.5"	Hole 18	18"	18"	-3"	0"
Invert 2										
Invert 3										
Invert 4										
Invert 5										
Invert 6										
Invert 7										
Invert 8										

RIGHT-SIDE UP VIEW (int. dimensions)

UPSIDE-DOWN VIEW (int. dimenions)



INSIDE WALL DIMENSIONS



Coating (Int):  
 Coating (Ext):

Seam Up: Flat  
 Seam Dn: n/a

Wall Thickness: 8"  
 Floor Height: 8"

Height (Int): 29"  
 Height (Ext): 37"

Weight (Net): 3790 lb  
 Volume (Net): 0.97cu.yd