

Job Name: 24-1260 - Combined Sewer Separation Project Ph 3
Job Location: Morganfield, KY 42437
Contractor: Deig Bros Lumber & Construction Co, Inc.

PC: J. Jarvis
 TECH: K. Cardwell
 Plant: Beaver Dam, KY



Structure ID: **CB 18**
 Spec: KYTC
 Type: DBI TYPE 11
 Size: 36" x 48"

Rim: 423.56'
 Invert: 415.78'
 Rim to Invert: 7.78'

Sump: 0"
 Floor (Top): 415.78'
 Floor Height: 8"

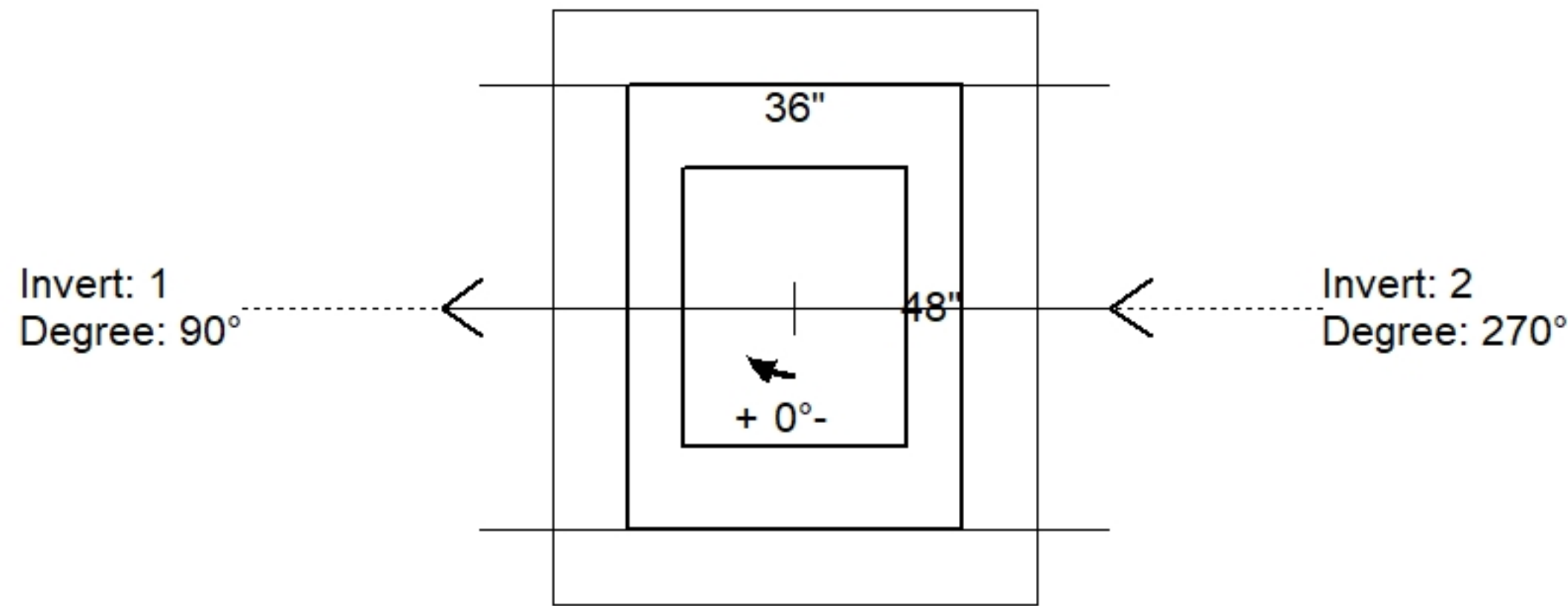
Floor (Bot): 415.113'
 Overall Height: 8.167'
 Slack: 3.36"

Structure Notes:

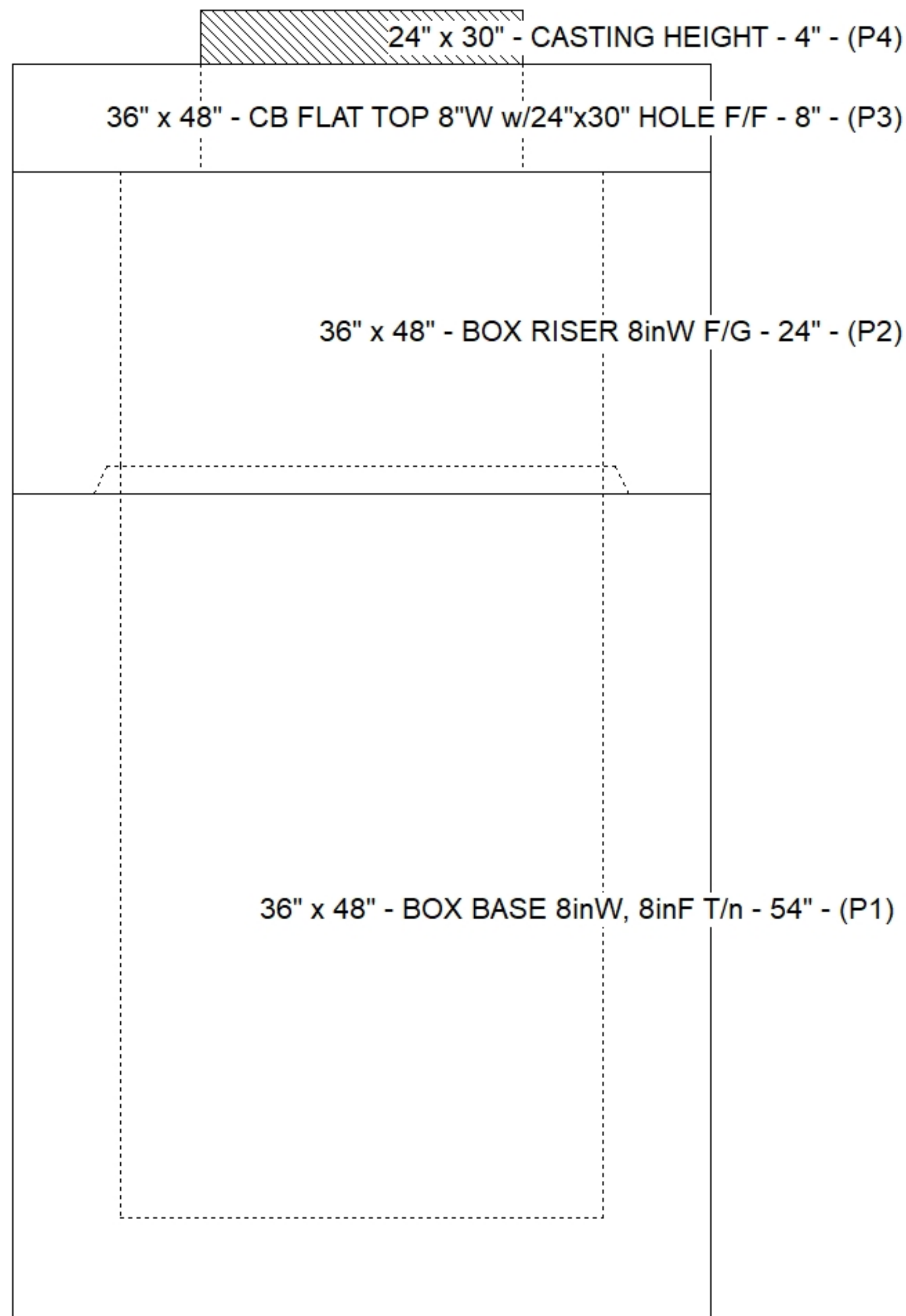
- STATION: 11+75 STORM LN A
- PER KYTC DBI TYPE 11 / ASTM C-913 SPECS
 - CONCRETE: 5,000 PSI AT 28 DAYS
 - REINFORCEMENT:
 - FLAT LID: #5 BAR @ 6" C.C. E.W. (GRADE 60)
 - BASE & RISER: #5 BAR @ 12" C.C. E.W. (GRADE 60)
 - KY-460 FRAME & GRATE SUPPLIED BY ICAST

STRUCTURE SUMMARY:

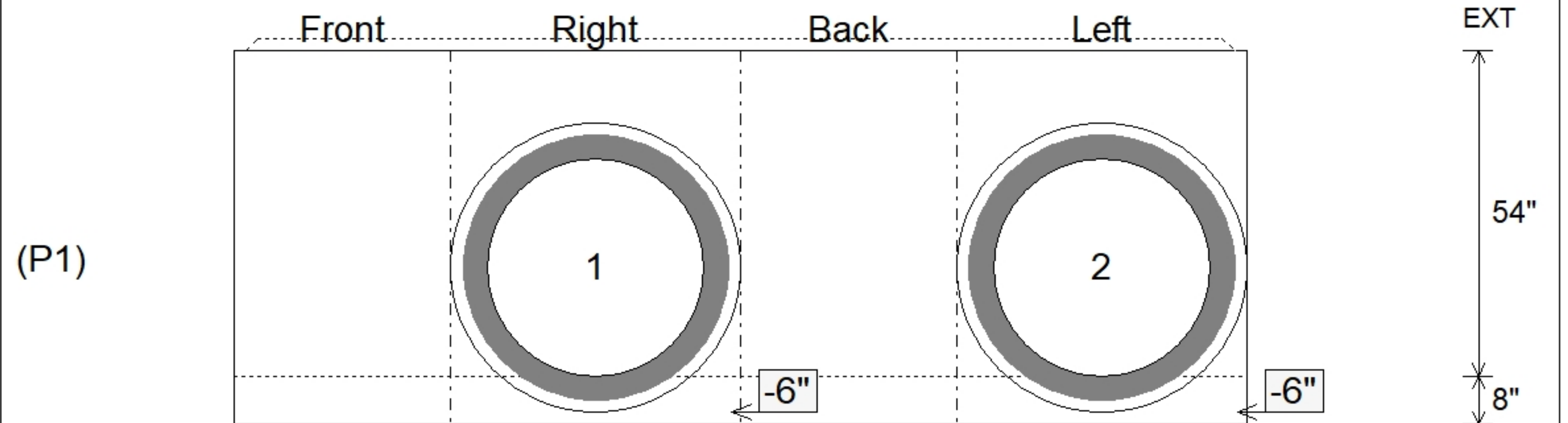
| | |
|---|-----------------|
| P4) 24" x 30" - CASTING HEIGHT - 4" | 0 lb |
| P3) 36" x 48" - CB FLAT TOP 8"W w/24"x30" HOLE F/F - 8" | 1751 lb |
| P2) 36" x 48" - BOX RISER 8inW F/G - 24" | 3222 lb |
| P1) 36" x 48" - BOX BASE 8inW, 8inF T/n - 54" | 7662 lb |
| 1) CASTING - HOE KY-460-11 F/G (DBI 11) | 421 lb |
| 2) 36" x 48" - Con Seal CS-102 1.00" | 0 lb |
| 1) 24" x 30" - Con Seal CS-102 1.00" | 0 lb |
| 2) Hole - 48 | 0 lb |
| Structure Total: | 13056 lb |



| Position | Elev | Angle | Pipe | Pipe OD | Hole | Connector | Up () | Ref |
|----------|---------|-------|----------------|---------|------|-----------|--------|-----|
| Rim | 423.56' | | | | | | | |
| Reducer | | | | | | | | |
| Invert 1 | 415.78' | 90° | 36" RCP B WALL | 44" | 48" | Hole 48 | -6" | P1 |
| Invert 2 | 415.78' | 270° | 36" RCP B WALL | 44" | 48" | Hole 48 | -6" | P1 |
| Invert 3 | | | | | | | | |
| Invert 4 | | | | | | | | |
| Invert 5 | | | | | | | | |
| Invert 6 | | | | | | | | |
| Invert 7 | | | | | | | | |
| Invert 8 | | | | | | | | |



Cast (Int. Dim.) - Interior Dimensions



Submittal Drawing
 10/13/2025 12:53:08 PM

SUBMITTAL
 APPROVED BY: