

Job Name: 24-1260 - Combined Sewer Separation Project Phase 3
 Job Location: Morganfield, KY 42437
 Contractor: Deig Bros Lumber & Construction Co, Inc.

Plant: Beaver Dam, KY
 10/7/2025 9:18:12 AM

Tech: K. Cardwell
 PC: A. Chambers



Structure ID: CB 18

P3 BX036048-08LD08-24X30

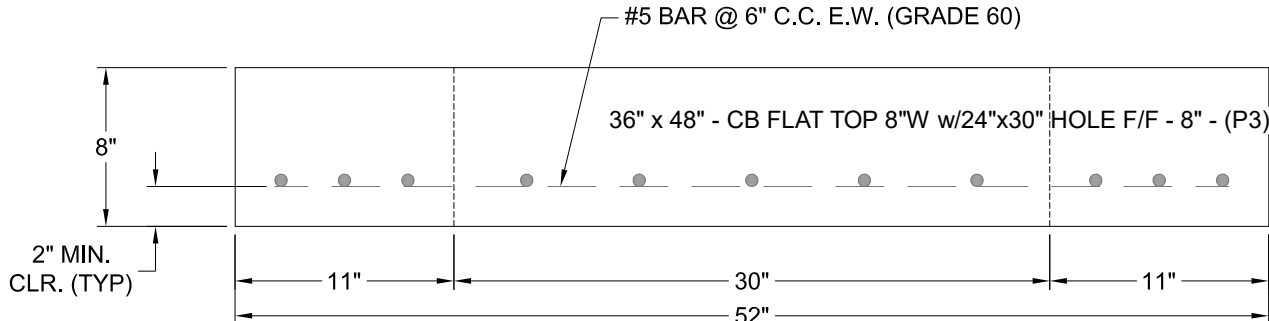
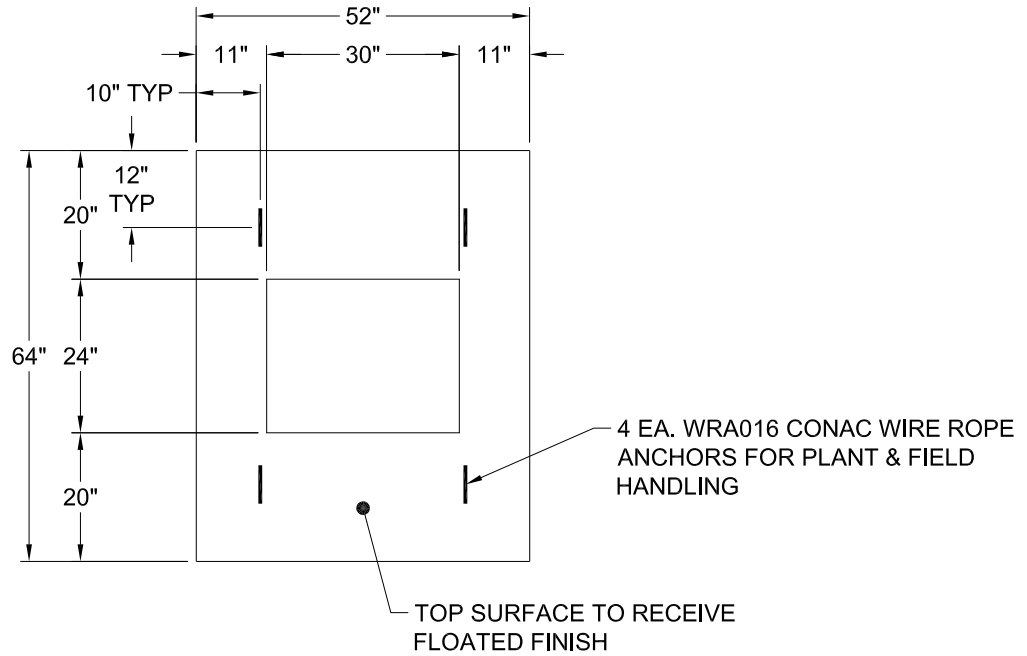
CB FLAT TOP 8"W w/24"x30" HOLE F/F

- P4) 24" x 30" - CASTING HEIGHT - 4"
- P3) 36" x 48" - CB FLAT TOP 8"W w/24"x30" HOLE F/F - 8"
- P2) 36" x 48" - BOX RISER 8inW F/G - 24"
- P1) 36" x 48" - BOX BASE 8inW, 8inF T/n - 54"
- 1) CASTING - HOE KY-460-11 F/G (DBI 11)
- 2) 36" x 48" - Conseal CS-102 1.00"
- 1) 24" x 30" - Conseal CS-102 1.00"
- 2) Hole - 48

0 lb
 1751 lb
 3222 lb
 7662 lb
 421 lb
 0 lb
 0 lb
 0 lb

 Structure Total: 13056 lb

- Structure Notes:**
 STATION: 11+75 STORM LN A
1. KYTC DBI TYPE 11 / ASTM C-913 SPECS
 2. CONCRETE: 5,000 PSI AT 28 DAYS
 3. REINFORCEMENT: #5 BAR @ 6" C.C. E.W. (GRADE 60) - 2" MIN. REBAR CLEARANCE (TYP)
 4. KY-460 FRAME & GRATE SUPPLIED BY ICAST
 5. LIFTERS: 4 EA. WRA016 CONAC WIRE ROPE ANCHORS FOR PLANT & FIELD HANDLING



Coating (Int): Coating (Ext):	Seam Up: Flat Seam Dn: Flat	Wall Thickness: 8"	Height (Ext): 8"	Weight (Net): 1751 lb Volume (Net): 0.45cu.yd
----------------------------------	--------------------------------	--------------------	------------------	--