

**Job Name: 24-1260 - Combined Sewer Separation Project Ph 3**  
**Job Location: Morganfield, KY 42437**  
**Contractor: Deig Bros Lumber & Construction Co, Inc.**

PC: J. Jarvis  
 TECH: K. Cardwell  
 Plant: Beaver Dam, KY



Structure ID: **CB 1**  
 Spec: KYTC  
 Type: DBI TYPE 11  
 Size: 24" x 30"

Rim: 415.05'  
 Invert: 413.5'  
 Rim to Invert: 1.55'

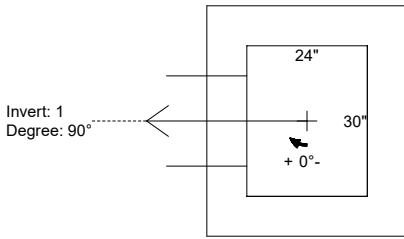
Sump: 0"  
 Floor (Top): 413.5'  
 Floor Height: 8"

Floor (Bot): 412.833'  
 Overall Height: 2.167'  
 Slack: 0.6"

Structure Notes:  
 STATION: 0+90 STORM LN B  
 1. PER KYTC DBI TYPE 11 / ASTM C-913 SPECS  
 2. CONCRETE: 5,000 PSI AT 28 DAYS  
 3. REINFORCEMENT: #5 BAR @ 12" C.C. E.W. (GRADE 60)  
 4. KY-460 FRAME & GRATE SUPPLIED BY ICAST

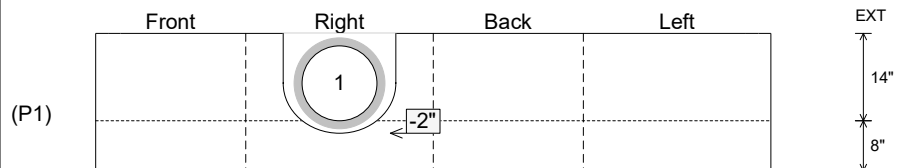
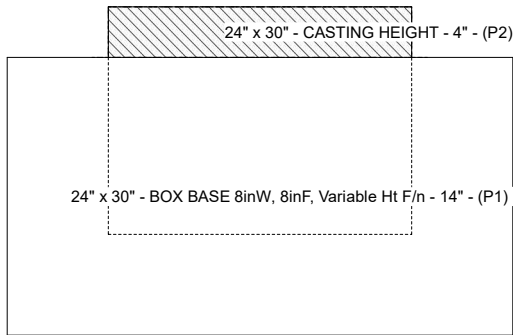
STRUCTURE SUMMARY:

P2) 24" x 30" - CASTING HEIGHT - 4"	0 lb
P1) 24" x 30" - BOX BASE 8inW, 8inF, Variable Ht F/n - 14"	2378 lb
1) CASTING - HOE KY-460-11 F/G (DBI 11)	421 lb
1) 24" x 30" - Conseal CS-102 1.00"	0 lb
1) DOGHOUSE INVRTD - 18"x16"	0 lb
	-----
Structure Total:	2799 lb



Position	Elev	Angle	Pipe	Pipe OD	Hole	Connector	Up (")	Ref
Rim	415.05'							
Reducer								
Invert 1	413.5'	90°	12" ADS N-12	14.5"	18" x 16"	DOGHOUSE INVRTD 18"x16"	-2"	P1
Invert 2								
Invert 3								
Invert 4								
Invert 5								
Invert 6								
Invert 7								
Invert 8								

**Cast (Int. Dim.) - Interior Dimensions**



Submittal Drawing  
 12/1/2025 6:29:43 AM

SUBMITTAL  
 APPROVED BY: