

Job Name: 24-1042B - Azteca
 Job Location: Evansville, IN 47725
 Contractor: Deig Bros Lumber & Construction Co, Inc.

Plant: Beaver Dam, KY
 10/21/2025 3:45:36 PM

Tech: K. Cardwell
 PC: A. Chambers



Structure ID: 2-1042B 3

P2 MH048RSVF

MH RISER Custom Ht T/F

- P4) 24" - CASTING HEIGHT - 7"
- P3) 48" - MH FLAT TOP w/ 24" ECC Hole F/G - 12"
- P2) 48" - MH RISER Custom Ht T/F - 51"
- P1) 48" - P.I.P. BY OTHERS - BTM SLAB F/n - 0"
- 1) JOINT WRAP PRIMER - CONSEAL CS-75 (1 gal.)
- 1) JOINT WRAP - 0.065"x6"x50' CONSEAL CS212
- 1) CASTING - HOE MC-315 F/C Sanitary
- 2) 48" - Conseal CS-102 1.00" (Double)
- 2) DOGHOUSE - 10"x12"

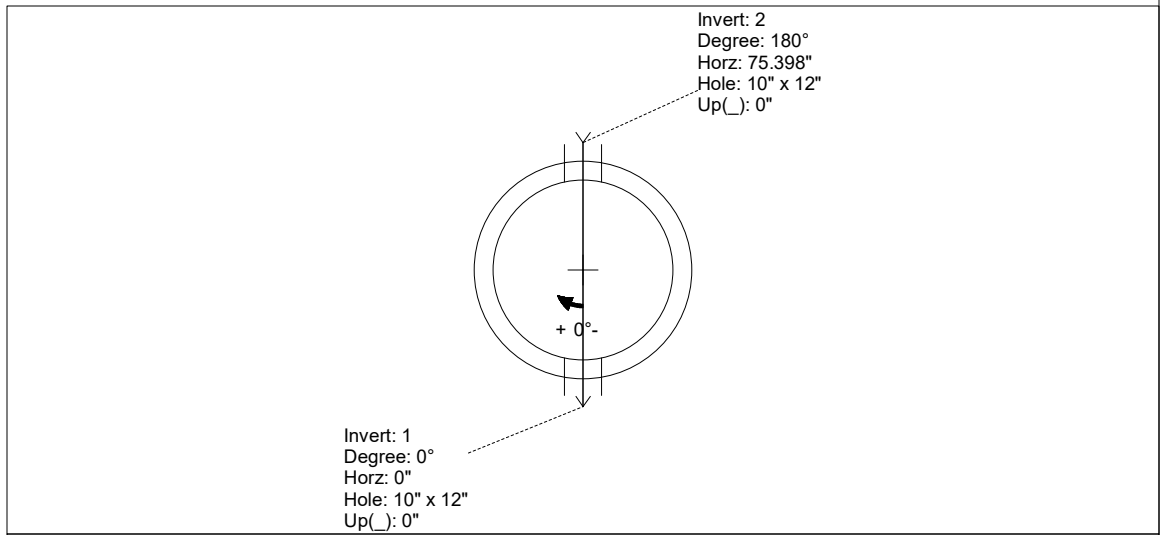
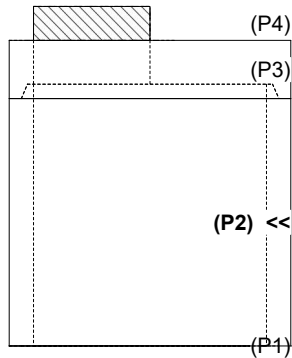
- Structure Notes:**
1. PER ASTM C-478 SPECS
 2. CONCRETE: 4,500 PSI AT 28 DAYS
 3. REINFORCEMENT: PER ASTM A615
 4. NO STEPS
 5. HOE MC-315 FRAME & COVER "SANITARY" SUPPLIED BY ICAST

Structure Total: 5291 lb

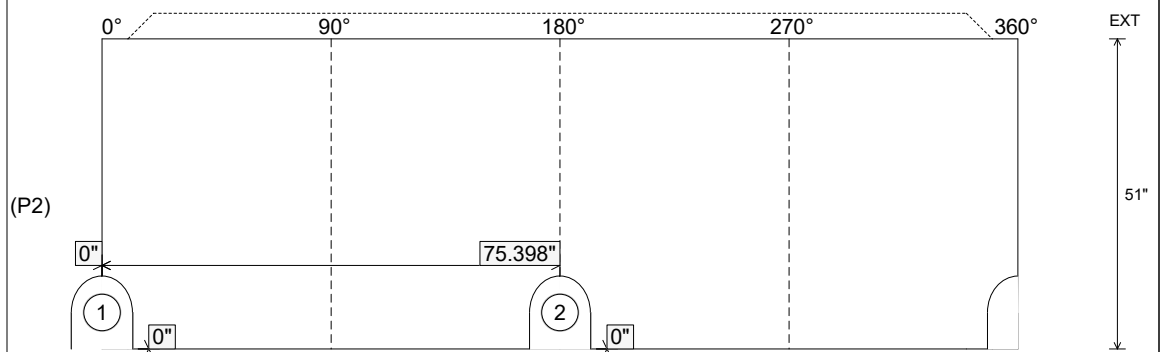
Rim: 5.83' Rim to Invert: 5.58' Slack: -0.04" Sump: 3" Step Position:

Position	Elev	Angle	Ext. (cw)	Pipe	Pipe OD	Connector	Hole	Horz Size	Up (_)	Offset
Invert 1	0.25'	0°	0"	6" PVC SDR35	6.25"	DOGHOUSE 10"x12"	10" x 12"	10.074"	0"	0"
Invert 2	0.25'	180°	91.106"	6" PVC SDR35	6.25"	DOGHOUSE 10"x12"	10" x 12"	10.074"	0"	0"
Invert 3										
Invert 4										
Invert 5										
Invert 6										
Invert 7										
Invert 8										

RIGHT-SIDE UP VIEW (int. dimensions)



INSIDE WALL DIMENSIONS



Coating (Int): Coating (Ext):	Seam Up: Tongue Seam Dn: Flat	Wall Thickness: 5" Floor Height: 0"	Height (Int): 51" Height (Ext): 51"	Weight (Net): 3472 lb Volume (Net): 0.89cu.yd
----------------------------------	----------------------------------	--	--	--