

Job Name: 24-1042B - Azteca
Job Location: Evansville, IN 47725
Contractor: Deig Bros Lumber & Construction Co, Inc.

PC: A. Chambers
 TECH: K. Cardwell
 Plant: Beaver Dam, KY



Structure ID: **2-1042B 2**
 Spec: Sanitary
 Type: SAN.MH (OPEN BTM)
 Size: 48"

Rim: 5.83'
 Invert: 0.25'
 Rim to Invert: 5.58'

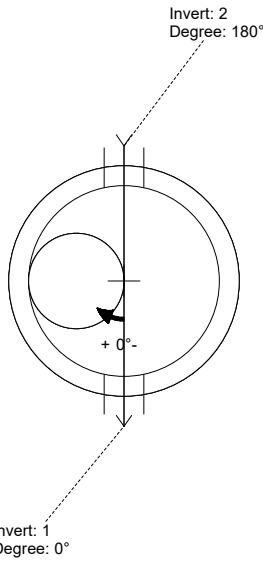
Sump: 3"
 Floor (Top): 0'
 Floor Height: 0"

Floor (Bot): 0'
 Overall Height: 5.833'
 Slack: -0.04"

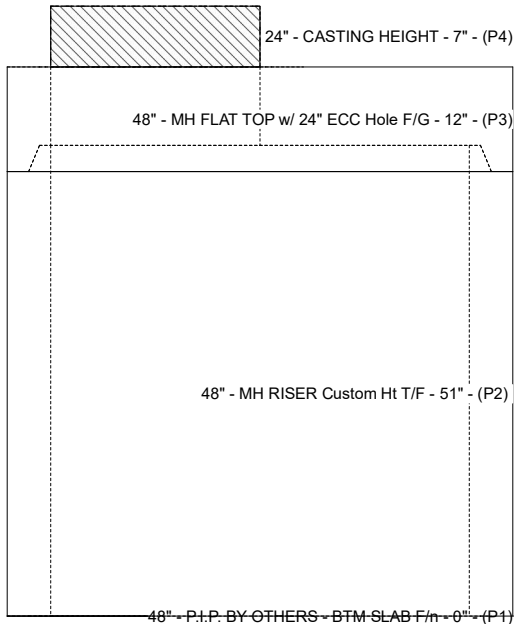
- Structure Notes:**
- PER ASTM C-478 SPECS
 - CONCRETE: 4,500 PSI AT 28 DAYS
 - REINFORCEMENT:
 - FLAT LID: #4 BAR @ 10" C.C. E.W. (GRADE 60)
 - BASE: PER ASTM A615
 - NO STEPS
 - HOE MC-315 FRAME & COVER "SANITARY" SUPPLIED BY ICAST

STRUCTURE SUMMARY:

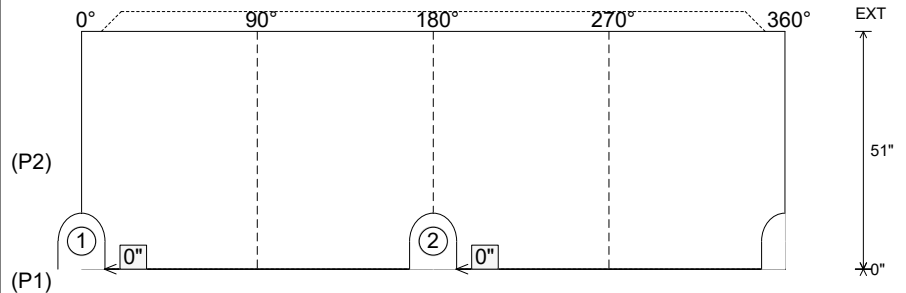
P4) 24" - CASTING HEIGHT - 7"	0 lb
P3) 48" - MH FLAT TOP w/ 24" ECC Hole F/G - 12"	1561 lb
P2) 48" - MH RISER Custom Ht T/F - 51"	3472 lb
P1) 48" - P.I.P. BY OTHERS - BTM SLAB F/n - 0"	0 lb
1) JOINT WRAP PRIMER - CONSEAL CS-75 (1 gal.)	0 lb
1) JOINT WRAP - 0.065"x6"x50' CONSEAL CS212	0 lb
1) CASTING - HOE MC-315 F/C Sanitary	258 lb
2) 48" - Conseal CS-102 1.00" (Double)	0 lb
2) DOGHOUSE - 10"x12"	0 lb
Structure Total:	5291 lb



Position	Elev	Angle	Pipe	Pipe OD	Hole	Connector	Up ()	Ref
Rim	5.83'							
Reducer								
Invert 1	0.25'	0°	6" PVC SDR35	6.25"	10" x 12"	DOGHOUSE 10"x12"	0"	P2
Invert 2	0.25'	180°	6" PVC SDR35	6.25"	10" x 12"	DOGHOUSE 10"x12"	0"	P2
Invert 3								
Invert 4								
Invert 5								
Invert 6								
Invert 7								
Invert 8								



Cast (Int. Dim.) - Interior Dimensions



Submittal Drawing
 10/20/2025 6:55:01 AM

SUBMITTAL
 APPROVED BY: