

Job Name: 24-1042B - Azteca
 Job Location: Evansville, IN 47725
 Contractor: Deig Bros Lumber & Construction Co, Inc.

Plant: Beaver Dam, KY
 10/21/2025 3:45:35 PM

Tech: K. Cardwell
 PC: A. Chambers



Structure ID: 2-1042B 2

P2 MH048RSVF

MH RISER Custom Ht T/F

- P4) 24" - CASTING HEIGHT - 7"
- P3) 48" - MH FLAT TOP w/ 24" ECC Hole F/G - 12"
- P2) 48" - MH RISER Custom Ht T/F - 51"
- P1) 48" - P.I.P. BY OTHERS - BTM SLAB F/n - 0"
- 1) JOINT WRAP PRIMER - CONSEAL CS-75 (1 gal.)
- 1) JOINT WRAP - 0.065"x6"x50' CONSEAL CS212
- 1) CASTING - HOE MC-315 F/C Sanitary
- 2) 48" - Conseal CS-102 1.00" (Double)
- 2) DOGHOUSE - 10"x12"

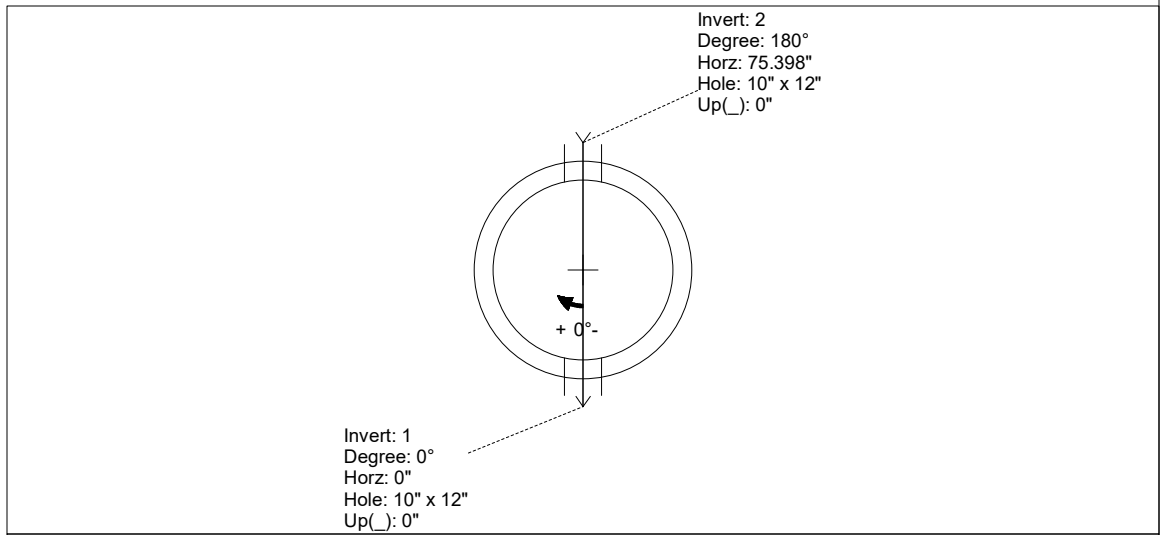
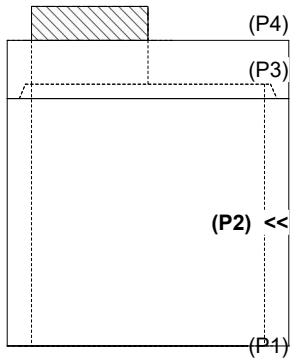
- Structure Notes:**
1. PER ASTM C-478 SPECS
 2. CONCRETE: 4,500 PSI AT 28 DAYS
 3. REINFORCEMENT: PER ASTM A615
 4. NO STEPS
 5. HOE MC-315 FRAME & COVER "SANITARY" SUPPLIED BY ICAST

Structure Total: 5291 lb

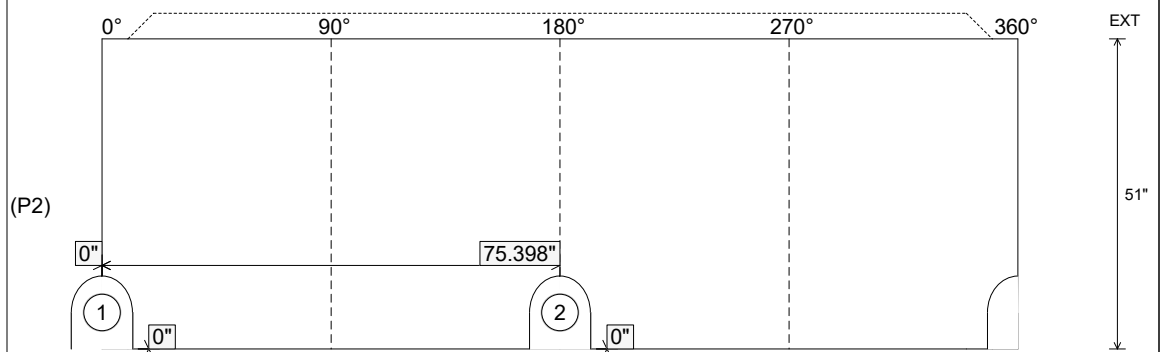
Rim: 5.83' Rim to Invert: 5.58' Slack: -0.04" Sump: 3" Step Position:

| Position | Elev | Angle | Ext. (cw) | Pipe | Pipe OD | Connector | Hole | Horz Size | Up () | Offset |
|----------|-------|-------|-----------|--------------|---------|------------------|-----------|-----------|--------|--------|
| Invert 1 | 0.25' | 0° | 0" | 6" PVC SDR35 | 6.25" | DOGHOUSE 10"x12" | 10" x 12" | 10.074" | 0" | 0" |
| Invert 2 | 0.25' | 180° | 91.106" | 6" PVC SDR35 | 6.25" | DOGHOUSE 10"x12" | 10" x 12" | 10.074" | 0" | 0" |
| Invert 3 | | | | | | | | | | |
| Invert 4 | | | | | | | | | | |
| Invert 5 | | | | | | | | | | |
| Invert 6 | | | | | | | | | | |
| Invert 7 | | | | | | | | | | |
| Invert 8 | | | | | | | | | | |

RIGHT-SIDE UP VIEW (int. dimensions)



INSIDE WALL DIMENSIONS



| | | | | |
|----------------------------------|----------------------------------|--|--|--|
| Coating (Int): Coating (Ext): | Seam Up: Tongue Seam Dn: Flat | Wall Thickness: 5" Floor Height: 0" | Height (Int): 51" Height (Ext): 51" | Weight (Net): 3472 lb Volume (Net): 0.89cu.yd |
|----------------------------------|----------------------------------|--|--|--|