

Job Name: 23-3015C Chapel Hill WWTP
Job Location: Chapel Hill, TN
Contractor: Smith Contractors, Inc.

PC: E. Bradley
 TECH: J. Coppage
 Plant: Beaver Dam



Structure ID: 60IN SANITARY MANHOLE

Spec: Sanitary
 Type: SAN.MH Doghouse w/ConBlockCDA Red
 Size: 60"

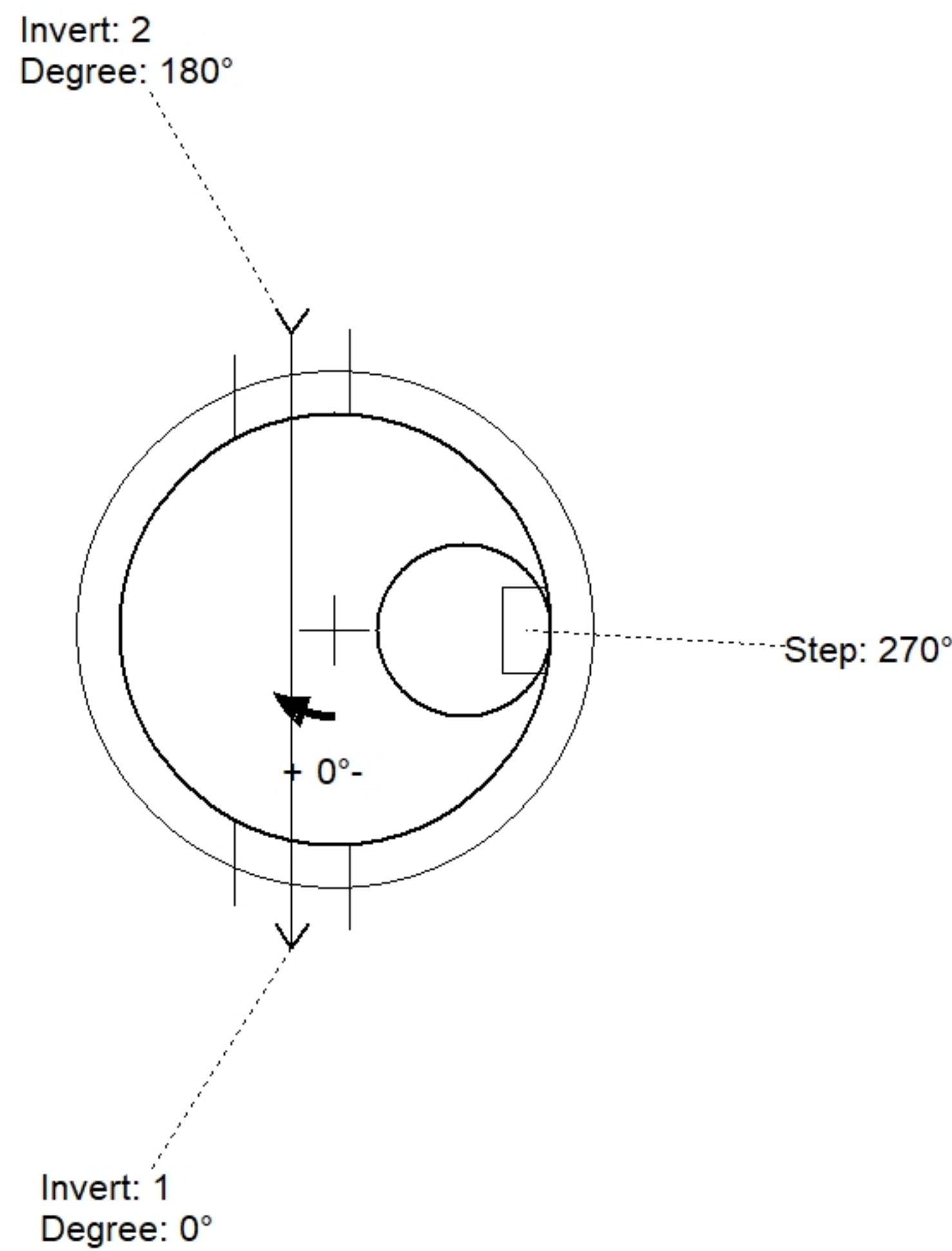
Rim: 7.25' Sump: 2" Floor (Bot): -0.167'
 Invert: 0' Floor (Top): -0.167' Overall Height: 7.417'
 Rim to Invert: 7.25' Floor Height: 0" Slack: 0"

Structure Notes:

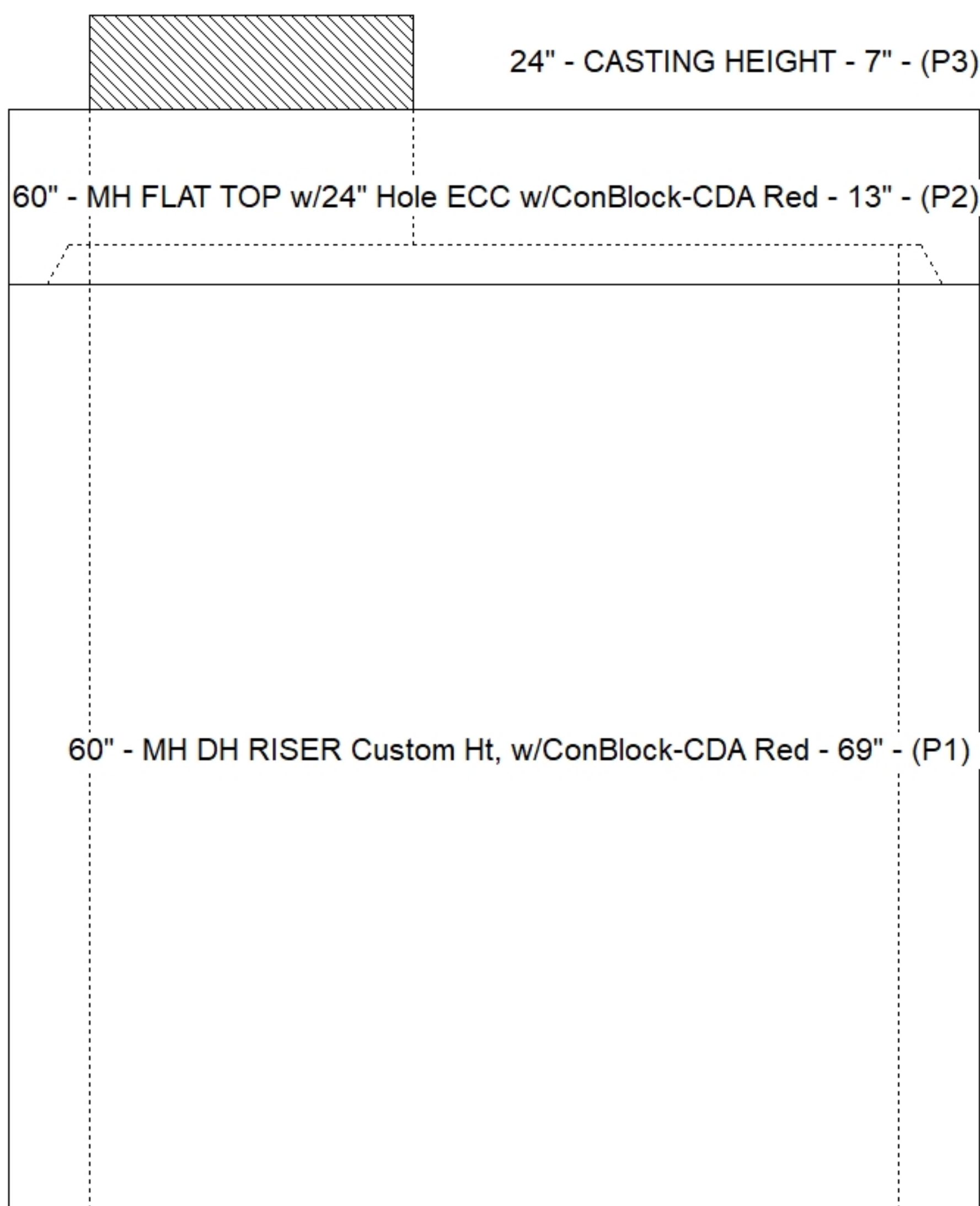
1. JBS-1140M W/ VENTED COVER BY ICAST.
2. PER ASTM C478 SPECIFICATIONS.
3. CONCRETE = 4,000 PSI AT 28 DAYS.
4. REINFORCING PER ASTM A615 (GRADE 60).
 - TOP SLAB (As .62) #5 BARS AT 6" C.C.E.W.
 - RISER/WALLS (As .18)
5. STEPS AT 270 DEGREES

STRUCTURE SUMMARY:

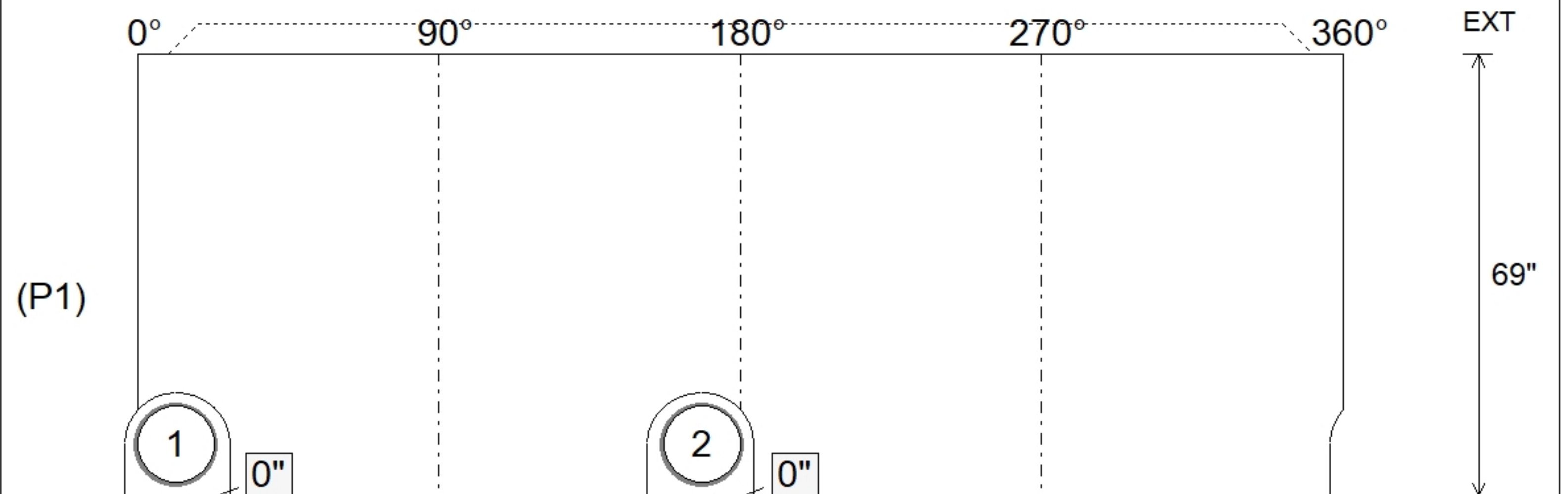
P3) 24" - CASTING HEIGHT - 7"	0 lb
P2) 60" - MH FLAT TOP w/24" Hole ECC w/ConBlock-CDA Red - 13"	2800 lb
P1) 60" - MH DH RISER Custom Ht, w/ConBlock-CDA Red - 69"	6966 lb
1) JOINT WRAP - 0.065"x6"x50' CONSEAL CS212	0 lb
1) JOINT WRAP PRIMER - CONSEAL CS-75 (1 gal.)	0 lb
1) 60" - Conseal CS-102 1.00" (Double)	0 lb
2) DOGHOUSE - 16"x16"	0 lb
6) MH Step ML-10-TDS-NCR - 10"	0 lb
Structure Total:	9766 lb



Position	Elev	Angle	Pipe	Pipe OD	Hole	Connector	Up ()	Ref
Rim	7.25'							
Reducer								
Invert 1	0'	0°	12" DI	13"	16" x 16"	DOGHOUSE 16"x16"	0"	P1
Invert 2	0'	180°	12" DI	13"	16" x 16"	DOGHOUSE 16"x16"	0"	P1
Invert 3								
Invert 4								
Invert 5								
Invert 6								
Invert 7								
Invert 8								



Default - Interior Dimensions



Submittal Drawing
 12/16/2025 2:26:46 PM

SUBMITTAL
 APPROVED BY: