

Job Name: 23-2792 - Teal Dr. Development
Job Location: Gallatin, TN
Contractor: Stewart Richey

PC: C. Goff
 TECH: J. Horsley - F
 Plant: 100



Structure ID: **STM-D2**
 Spec: Storm
 Type: STM.MH
 Size: 48"

Rim: 469.7'
 Invert: 465.96'
 Rim to Invert: 3.74'

Sump: 3"
 Floor (Top): 465.71'
 Floor Height: 6"

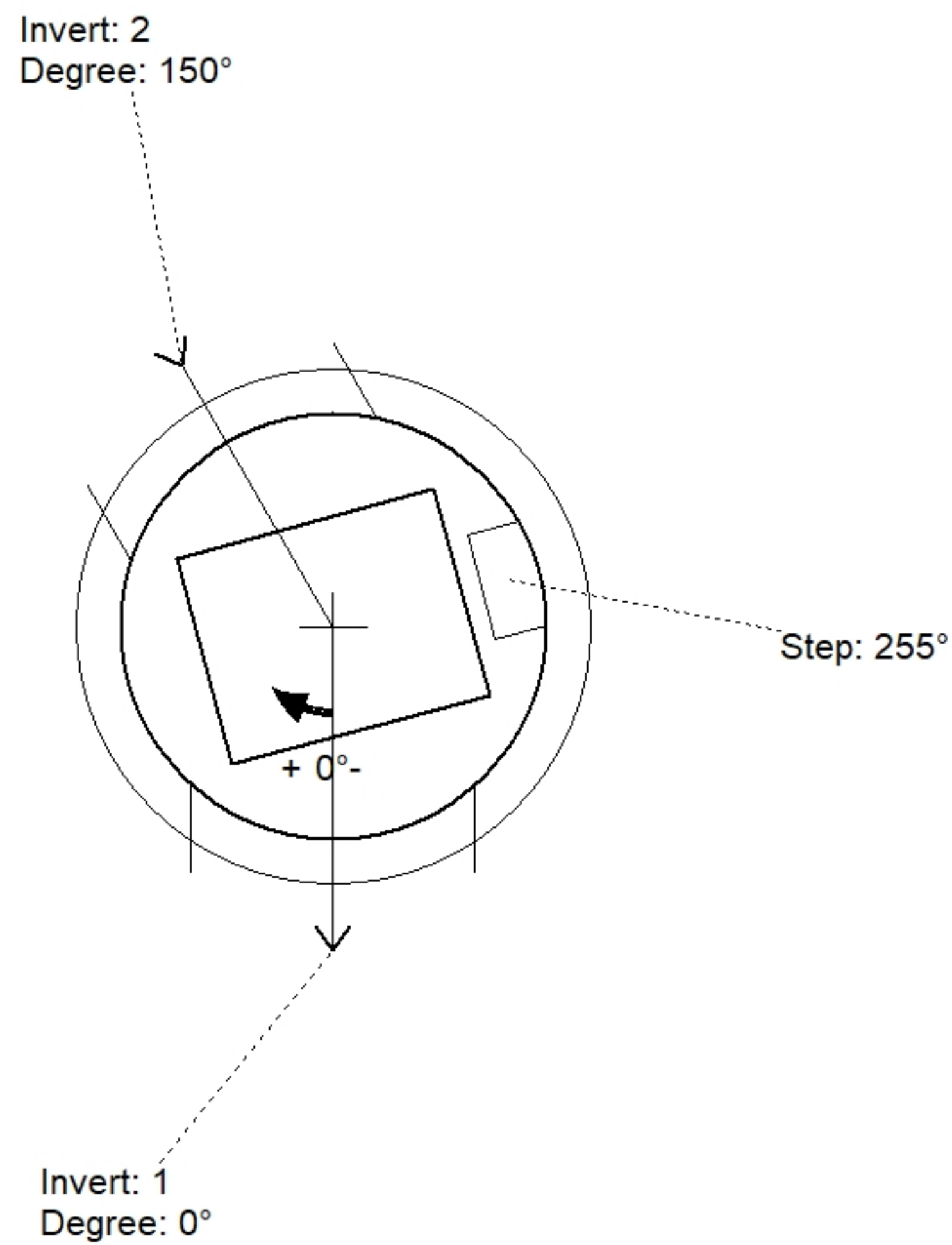
Floor (Bot): 465.21'
 Overall Height: 4.417'
 Slack: 0.88"

Structure Notes:

1. PER ASTM C478 SPECIFICATIONS.
 2. CONCRETE = 4,000 PSI AT 28 DAYS.
 3. NO INVERT CHANNEL.
 4. CASTING BY ICAST (JBS 3101 SINGLE SET (F/G/H))
- REINFORCING PER ASTM A615 (GRADE 60).
 - TOP SLAB (As .62) #5 BARS AT 6" C.C.E.W..
 - RISER/WALLS (As .12)
 - FLOOR (As .31) #5 BARS AT 12" C.C.E.W.

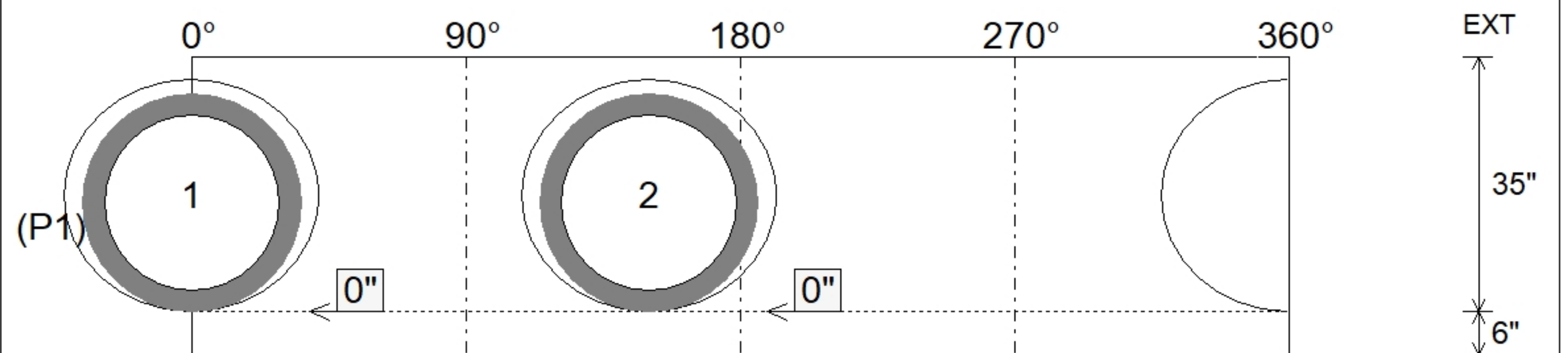
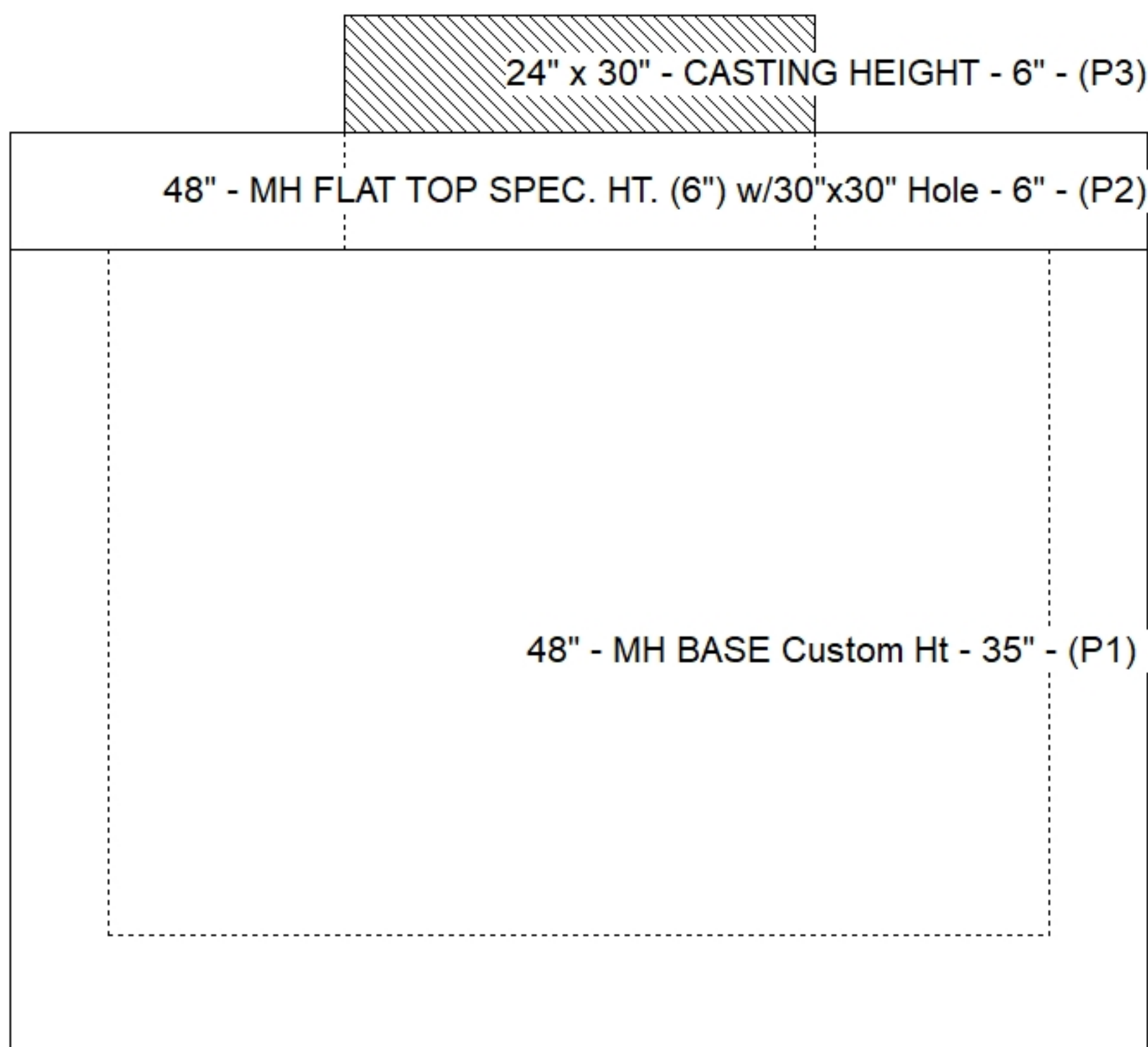
STRUCTURE SUMMARY:

P3) 24" x 30" - CASTING HEIGHT - 6"	0 lb
P2) 48" - MH FLAT TOP SPEC. HT. (6") w/30"x30" Hole - 6"	968 lb
P1) 48" - MH BASE Custom Ht - 35"	3048 lb
1) CASTING - JBS 3101 Single Set (F/G/H)	619 lb
1) 48" - Conseal CS-102 1.00"	0 lb
1) 24" x 30" - Conseal CS-102 1.00"	0 lb
2) Hole - 32	0 lb
3) MH Step ML-10-TDS-NCR - 10"	0 lb
Structure Total:	4635 lb



Position	Elev	Angle	Pipe	Pipe OD	Hole	Connector	Up ()	Ref
Rim	469.7'							
Reducer								
Invert 1	465.96'	0°	24" RCP B WALL	30"	32"	Hole 32	0"	P1
Invert 2	465.96'	150°	24" RCP B WALL	30"	32"	Hole 32	0"	P1
Invert 3								
Invert 4								
Invert 5								
Invert 6								
Invert 7								
Invert 8								

Default - Interior Dimensions



Submittal Drawing
 3/27/2026 10:44:20 AM

SUBMITTAL
 APPROVED BY: