

Job Name: 23-2792 - Teal Dr. Development
 Job Location: Gallatin, TN
 Contractor: Stewart Richey

Plant: 100
 3/25/2026 1:41:37 PM

Tech: J. Horsley - F
 PC: C. Goff



Structure ID: STM-D2

P1 MH048BAVF

MH BASE Custom Ht F/n

- P3) 24" x 30" - CASTING HEIGHT - 6"
- P2) 48" - MH FLAT TOP SPEC. HT. (6") w/30"x30" Hole F/F - 6"
- P1) 48" - MH BASE Custom Ht F/n - 35"
- 1) CASTING - JBS 3101 Single Set (F/G/H)
- 1) 48" - Conseal CS-102 1.00"
- 1) 24" x 30" - Conseal CS-102 1.00"
- 2) Hole - 32"
- 3) MH Step ML-10-TDS-NCR - 10"

0 lb
 968 lb
 3048 lb
 619 lb
 0 lb
 0 lb
 0 lb
 0 lb
 0 lb
 Structure Total: 4635 lb

Structure Notes:
 1. PER ASTM C478 SPECIFICATIONS.
 2. CONCRETE = 4,000 PSI AT 28 DAYS.
 3. NO INVERT CHANNEL.
 4. CASTING BY ICAST (JBS 3101 SINGLE SET (F/G/H))

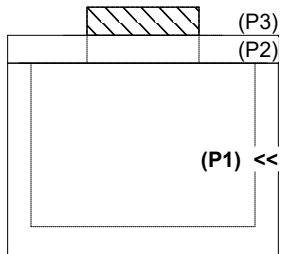
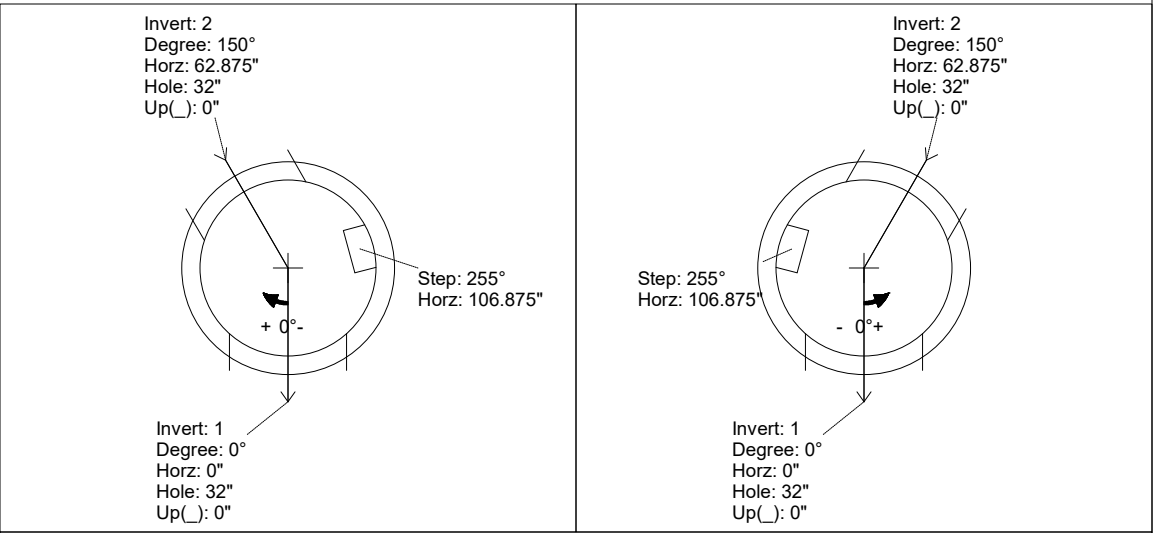
REINFORCING PER ASTM A615 (GRADE 60).
 - TOP SLAB (As .62) #5 BARS AT 6" C.C.E.W..
 - RISER/WALLS (As .12)
 - FLOOR (As .31) #5 BARS AT 12" C.C.E.W.

Rim: 469.7' Rim to Invert: 3.74' Slack: 0.88" Sump: 3" Step Position: 255°

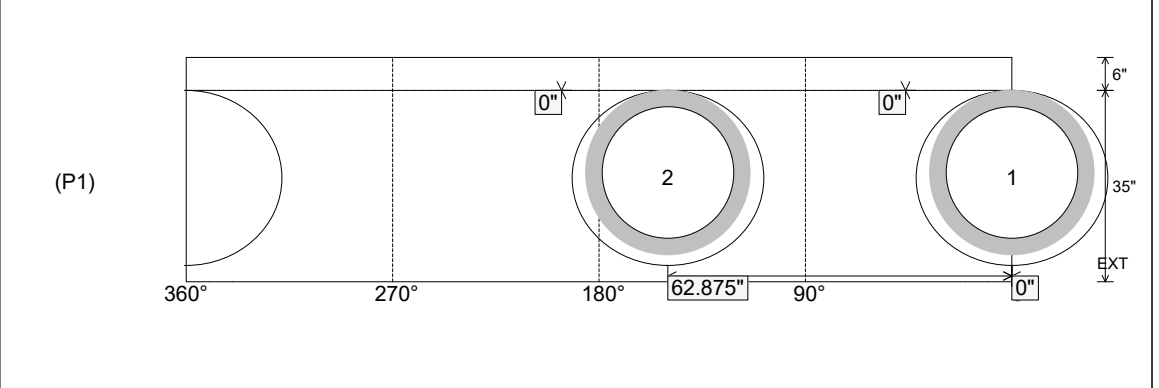
Position	Elev	Angle	Ext. (cw)	Pipe	Pipe OD	Connector	Hole	Horz Size	Up ()	Offset
Invert 1	465.96'	0°	0"	24" RCP B WALL	30"	Hole 32	32"	35.027"	0"	0"
Invert 2	465.96'	150°	75.875"	24" RCP B WALL	30"	Hole 32	32"	35.027"	0"	0"
Invert 3										
Invert 4										
Invert 5										
Invert 6										
Invert 7										
Invert 8										

RIGHT-SIDE UP VIEW (int. dimensions)

UPSIDE-DOWN VIEW (int. dimensions)



INSIDE WALL DIMENSIONS



Coating (Int): Coating (Ext):	Seam Up: Flat Seam Dn: n/a	Wall Thickness: 5" Floor Height: 6"	Height (Int): 35" Height (Ext): 41"	Weight (Net): 3048 lb Volume (Net): 0.78cu.yd
----------------------------------	-------------------------------	--	--	--