

Job Name: 23-2455 - East Side Drainage Improvements

Job Location: Evansville, IN 47715

Contractor: Blankenberger Bros. Inc.

PC: A. Chambers

TECH: J. Coppage

Plant: Beaver Dam



Structure ID: **STR-1003**

Spec: Storm
Type: STM.MH Transition
Size: 96"

Rim: 387.61'
Invert: 372.87'
Rim to Invert: 14.74'

Sump: 15.96"
Floor (Top): 371.54'
Floor Height: 8"

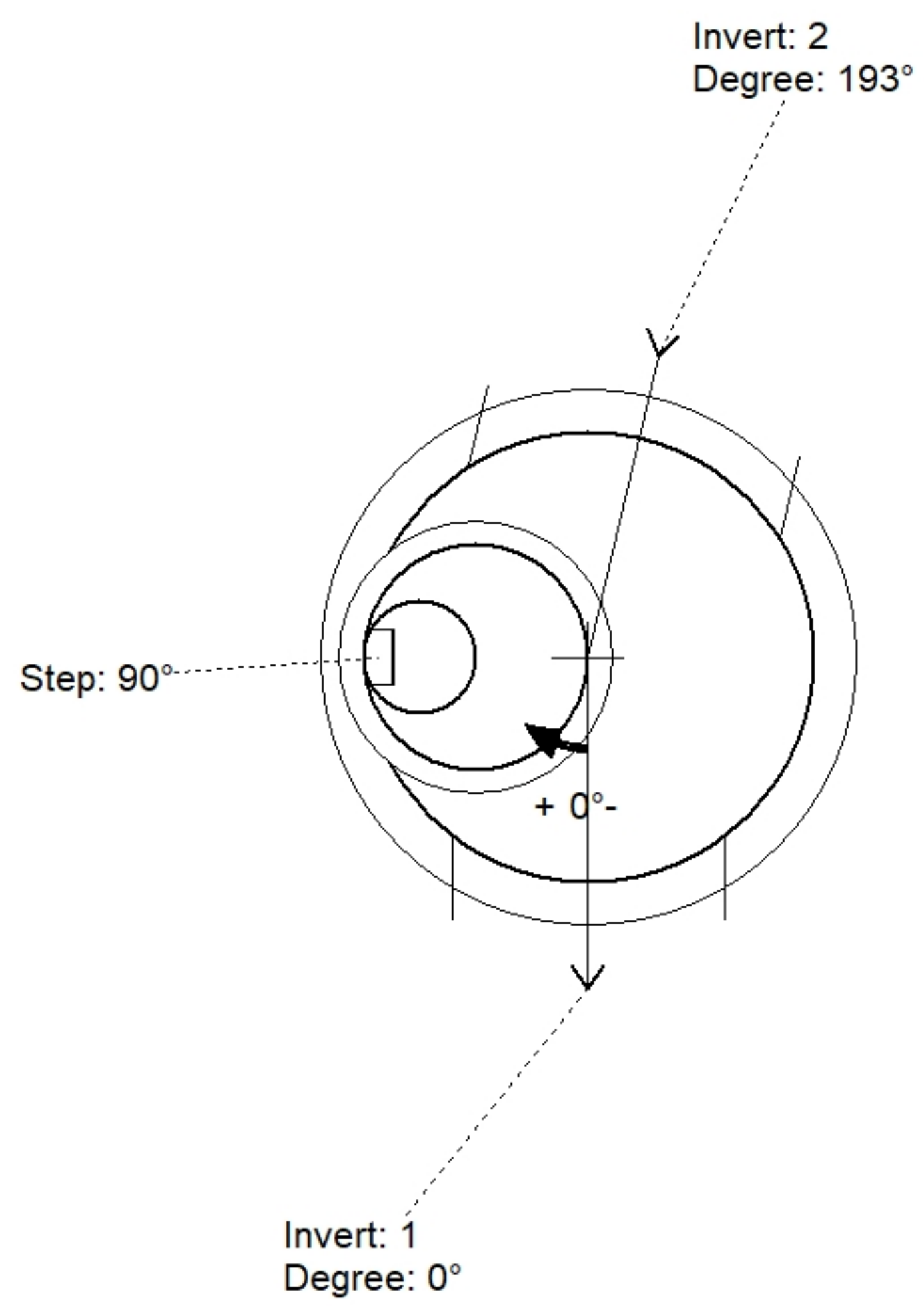
Floor (Bot): 370.873'
Overall Height: 16.667'
Slack: 0.84"

Structure Notes:

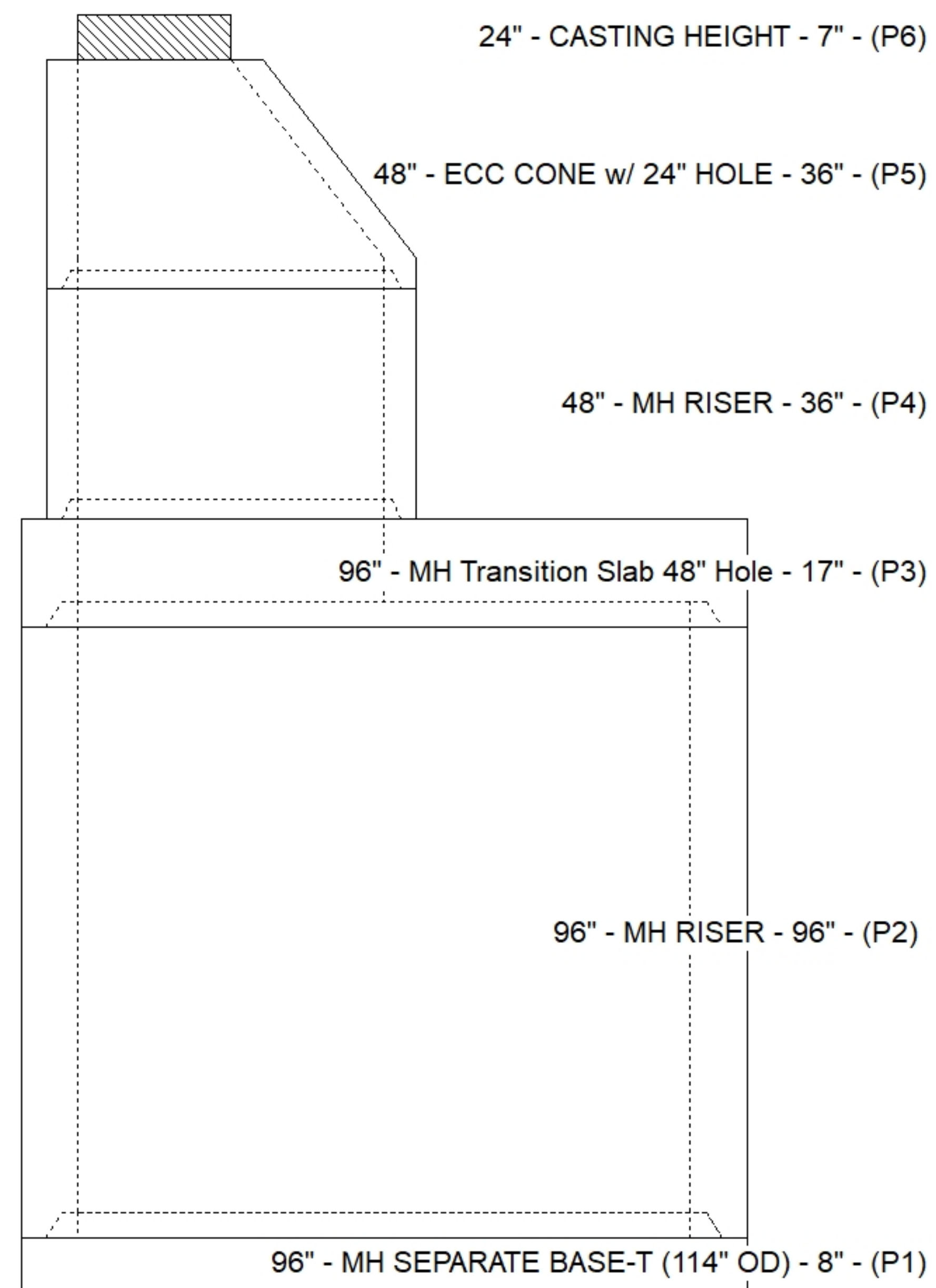
- MANUFACTURED TO ASTM C-478 SPECIFICATIONS
- REINFORCING PER ASTM A615 (GRADE 60).
- TYPE 4 CASTING (BY OTHERS).
- CS-102 BUTYL MASTIC SEALANT FOR JOINTS (SUPPLIED BY ICAST).
- INVERT (BY OTHERS).
- STEP SPACING AT 12" C/C.

STRUCTURE SUMMARY:

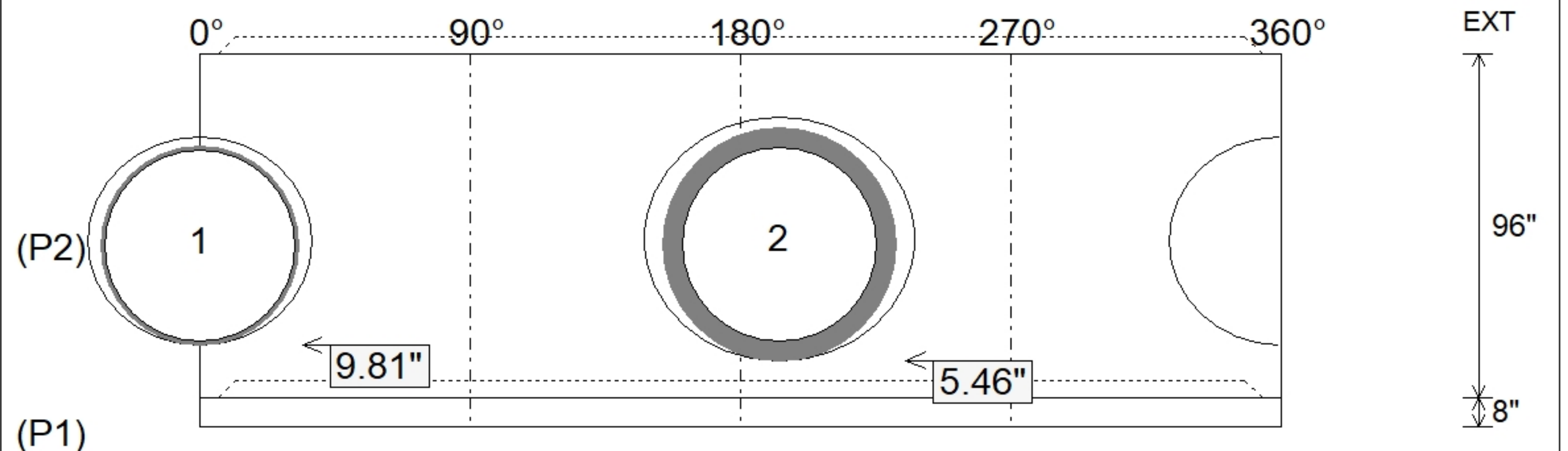
P6) 24" - CASTING HEIGHT - 7"	0 lb
P5) 48" - ECC CONE w/ 24" HOLE - 36"	3000 lb
P4) 48" - MH RISER - 36"	2515 lb
P3) 96" - MH Transition Slab 48" Hole - 17"	9106 lb
P2) 96" - MH RISER - 96"	18804 lb
P1) 96" - MH SEPARATE BASE-T (114" OD) - 8"	10484 lb
1) JOINT WRAP - 0.065"x6"x50' CONSEAL CS212	0 lb
1) JOINT WRAP PRIMER - CONSEAL CS-75 (1 gal.)	0 lb
1) Hole - 58	0 lb
1) Hole - 68	0 lb
Structure Total:	43910 lb



Position	Elev	Angle	Pipe	Pipe OD	Hole	Connector	Up (")	Ref
Rim	387.61'							
Reducer	379.54'							
Invert 1	372.87'	0°	54" HDPE (DUROMAXX)	55.5"	58"	Hole 58	9.81"	P2
Invert 2	372.87'	193°	54" RCP B WALL	65"	68"	Hole 68	5.46"	P2
Invert 3								
Invert 4								
Invert 5								
Invert 6								
Invert 7								
Invert 8								



Default - Interior Dimensions



Submittal Drawing
11/13/2025 2:12:53 PM

SUBMITTAL
APPROVED BY: