

Job Name: 23-1914 - KYTC Daviess Couny ID 231032	Plant: 100	Tech: J. Horsley	
Job Location: Owensboro, KY 42701	1/8/2026 10:14:20 AM	PC: C. Goff	
Contractor: Mick-Murf Construction Inc.			

**Structure ID: 102A (DBI-11)**

**P1 BX24300808VF**

**BOX BASE 8inW, 8inF, Variable Ht F/n**

P2) 24" x 30" - CASTING HEIGHT - 3.75"	0 lb
P1) 24" x 30" - BOX BASE 8inW, 8inF, Variable Ht F/n - 26"	3508 lb
1) 24" x 30" - Conseal CS-102 1.00"	0 lb
1) Hole - 18	0 lb
Structure Total:	3508 lb

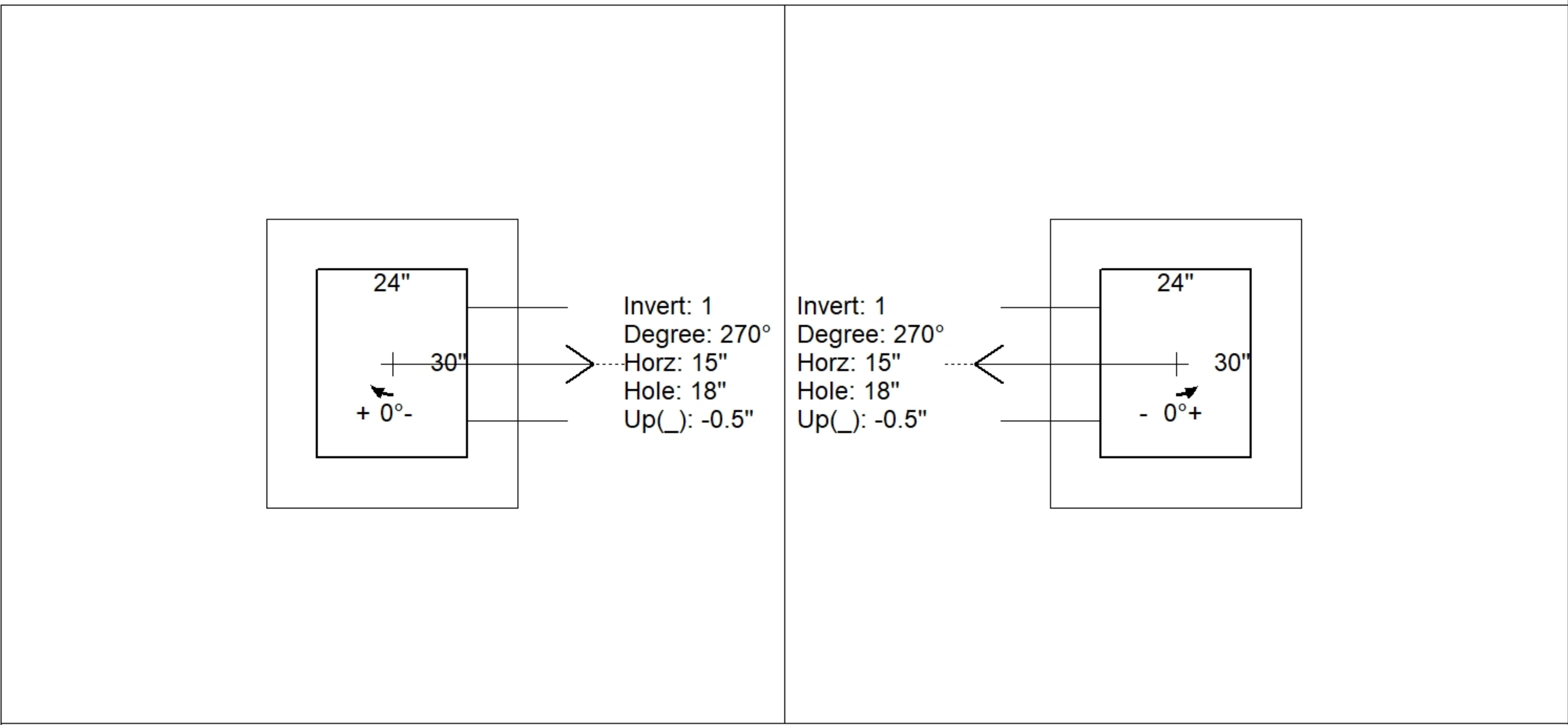
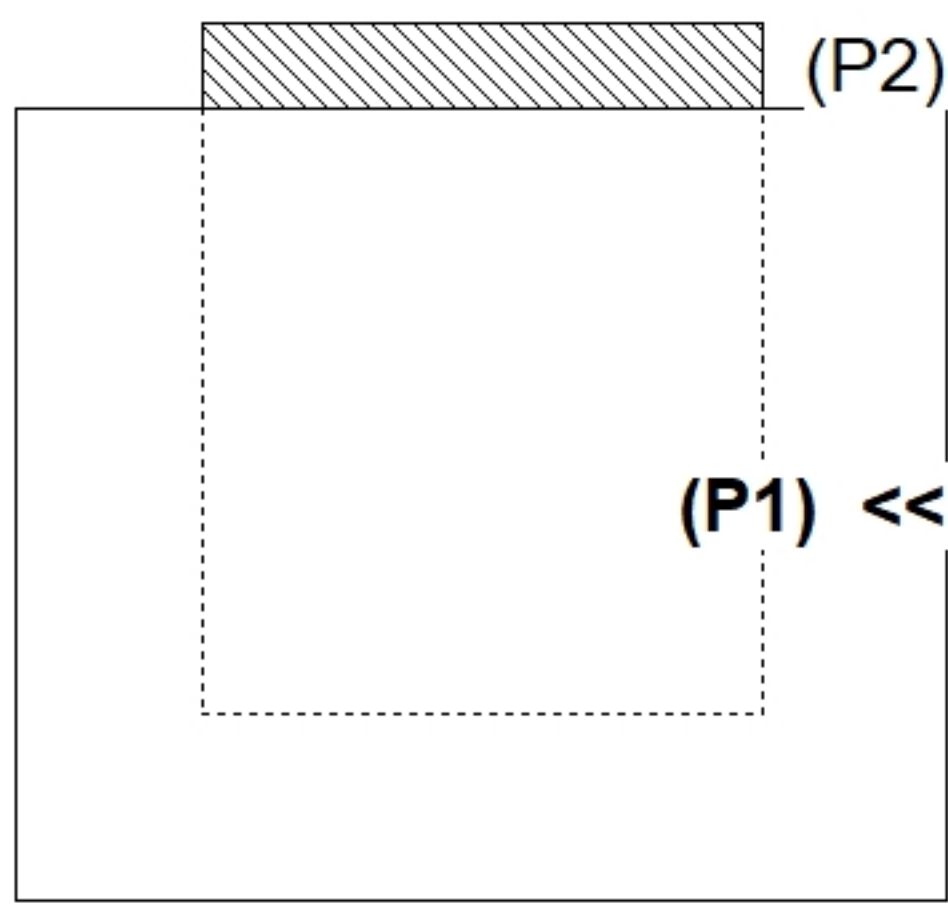
Structure Notes:  
**\*\* KYTC STATE PROJECT \*\***  
 1. KYTC DBI TYPE 11 / ASTM C-913 SPEC'S.  
 2. CONCRETE = 4,000 PSI AT 28 DAYS.  
 3. NO STEPS & NO INVERT CHANNEL.  
 4. HOE KY-460-11 (DBI-11 F/G) BY OTHERS.  
  
 REINFORCING PER ASTM A615 (GRADE 60).  
 - WALLS (As .31) #5 BARS AT 12" C.C.E.W..  
 - FLOOR (As .31) #5 BARS AT 12" C.C.E.W.

Rim: 421.68'    Rim to Invert: 2.5'    Slack: 0.25"    Sump: 0"    Step Position:

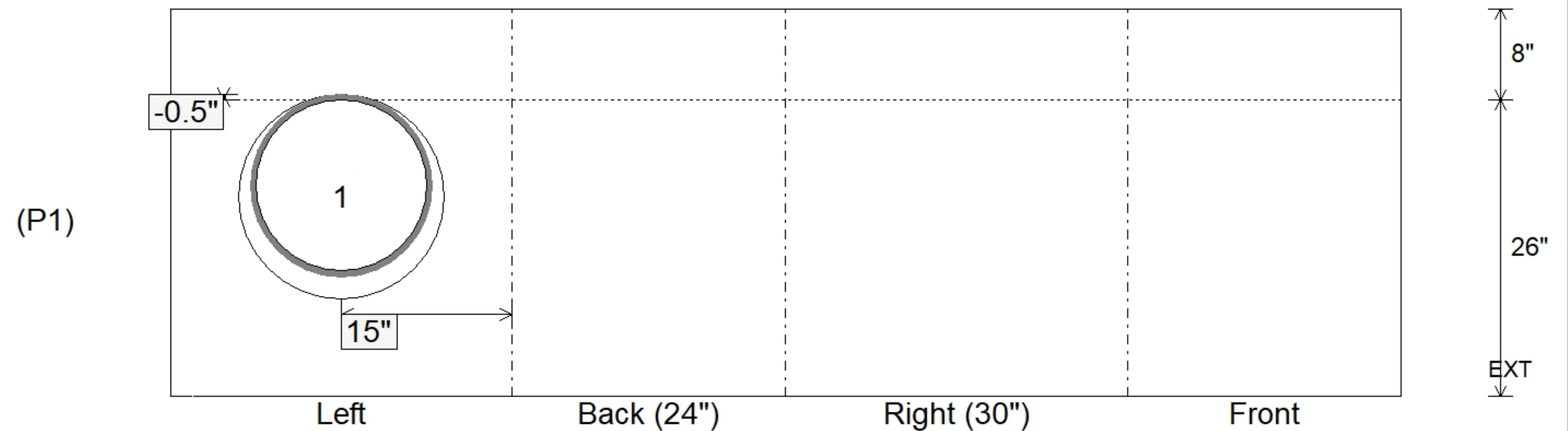
Position	Elev	Angle	Ext. (cw)	Pipe	Pipe OD	Connector	Hole	Horz Size	Up ( )	Offset
Invert 1	419.18'	270°	23"	15" CMP	16"	Hole 18	18"	18"	-0.5"	0"
Invert 2										
Invert 3										
Invert 4										
Invert 5										
Invert 6										
Invert 7										
Invert 8										

RIGHT-SIDE UP VIEW (int. dimensions)

UPSIDE-DOWN VIEW (int. dimenions)



INSIDE WALL DIMENSIONS



Coating (Int):	Seam Up: Flat	Wall Thickness: 8"	Height (Int): 26"	Weight (Net): 3508 lb
Coating (Ext):	Seam Dn: n/a	Floor Height: 8"	Height (Ext): 34"	Volume (Net): 0.9cu.yd