

Structure ID: 102 (DBI-13G)

P1 BX2430-08BA36 BOX BASE 8inW, 8inF F/n

P3) 15" x 27" - P.I.P. - BY OTHERS - 8" P2) 24" x 30" - CB FLAT TOP 8"W w/15"x27" HOLE F/F - 8" P1) 24" x 30" - BOX BASE 8inW, 8inF F/n - 36" 1) 24" x 30" - Conseal CS-102 1.00" 2) Hole - 18 1) Hole - 6	0 lb 963 lb 4258 lb 0 lb 0 lb 0 lb ----- Structure Total: 5221 lb
---	--

Structure Notes:
 KYTC STATE PROJECT
 1. KYTC DBI TYPE 13G / ASTM C-913 SPEC'S.
 2. CONCRETE = 4,000 PSI AT 28 DAYS.
 3. NO STEPSS & NO INVERT CHANNEL.
 4. HOE KY-230G (DBI-13G F/G) BY OTHERS.
 5. STUB #5 BARS 6" OUT TOP OF TOP SLAB SPA AT 12" C/C AROUND 15X27 HOLE

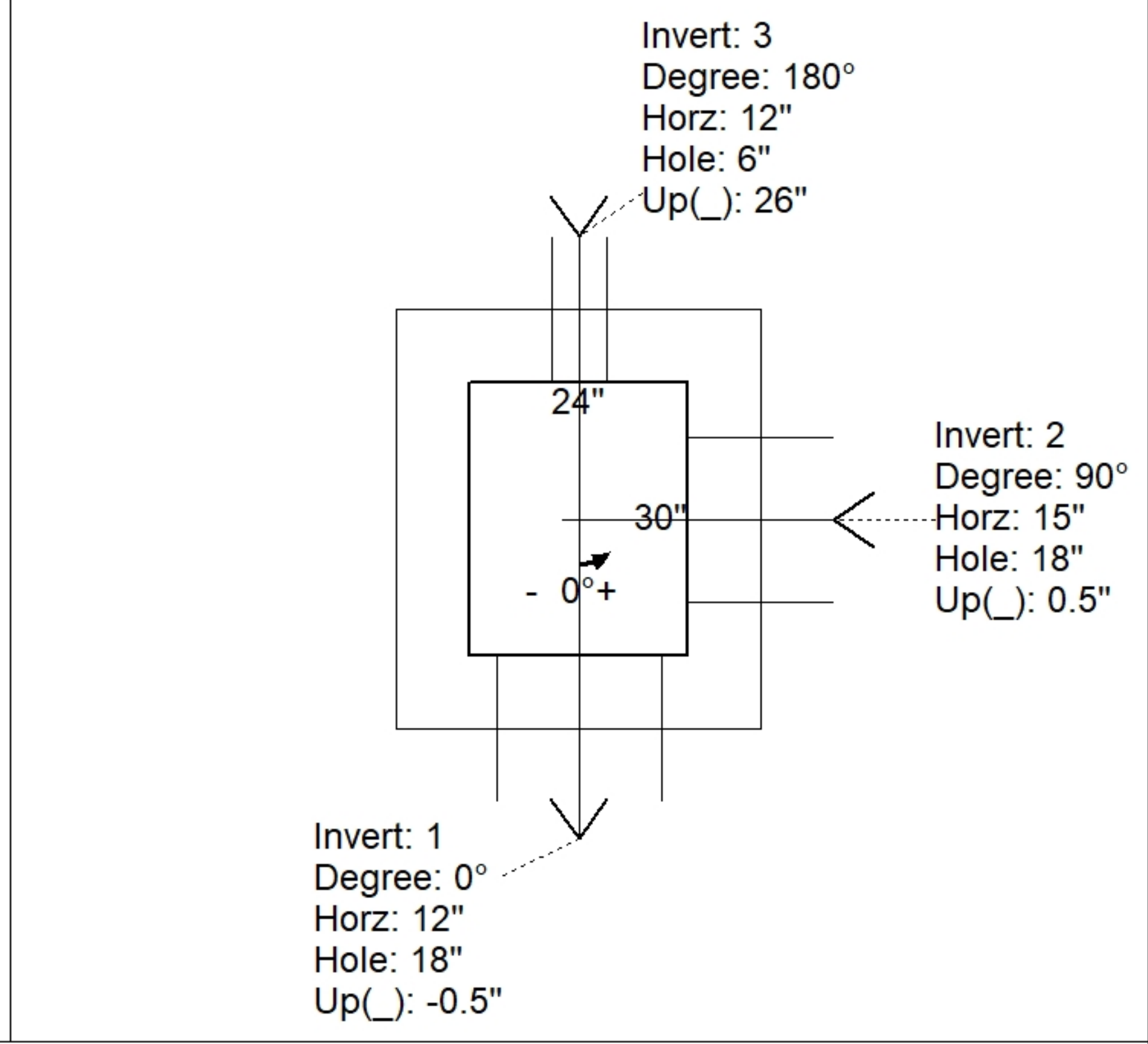
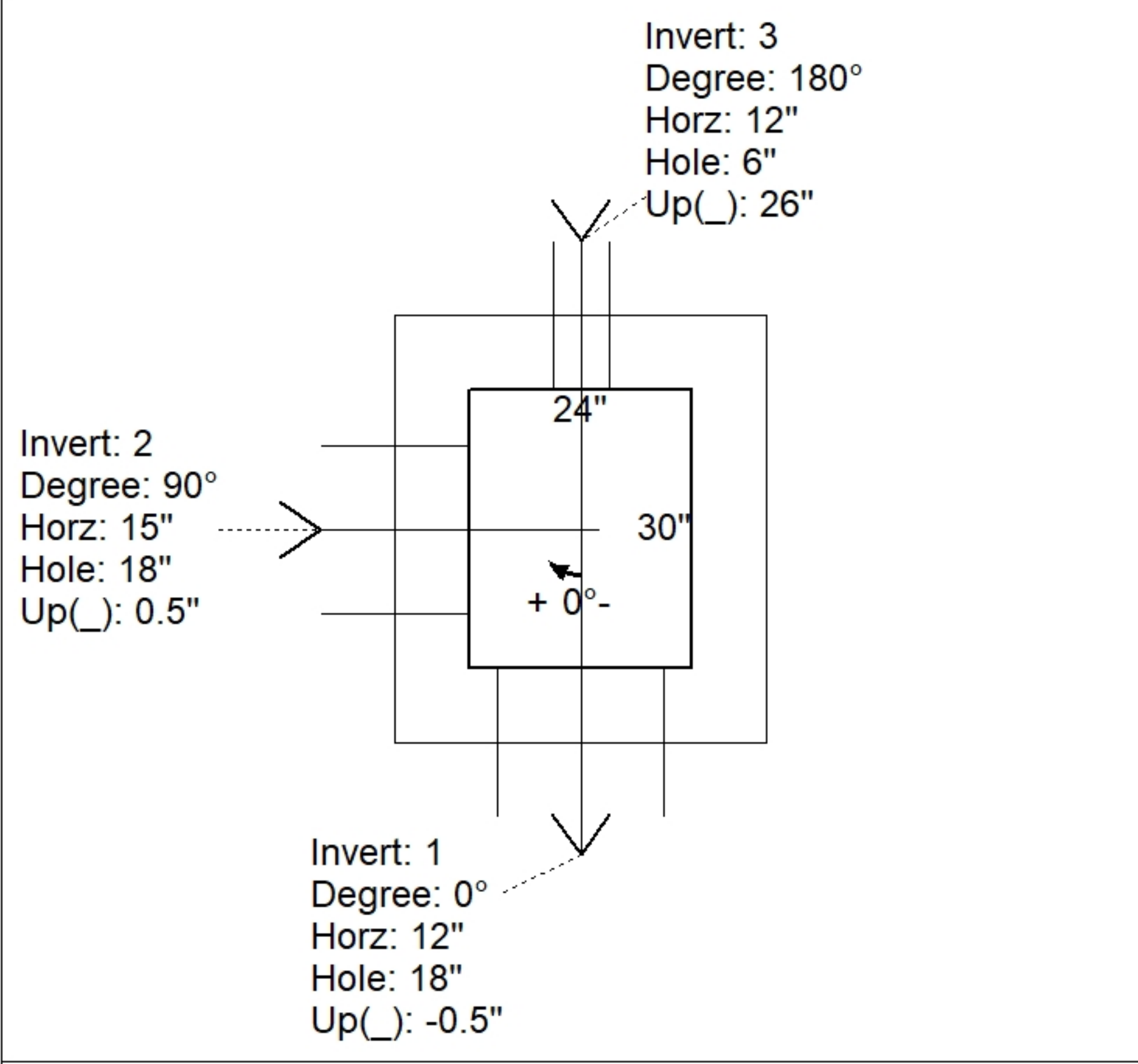
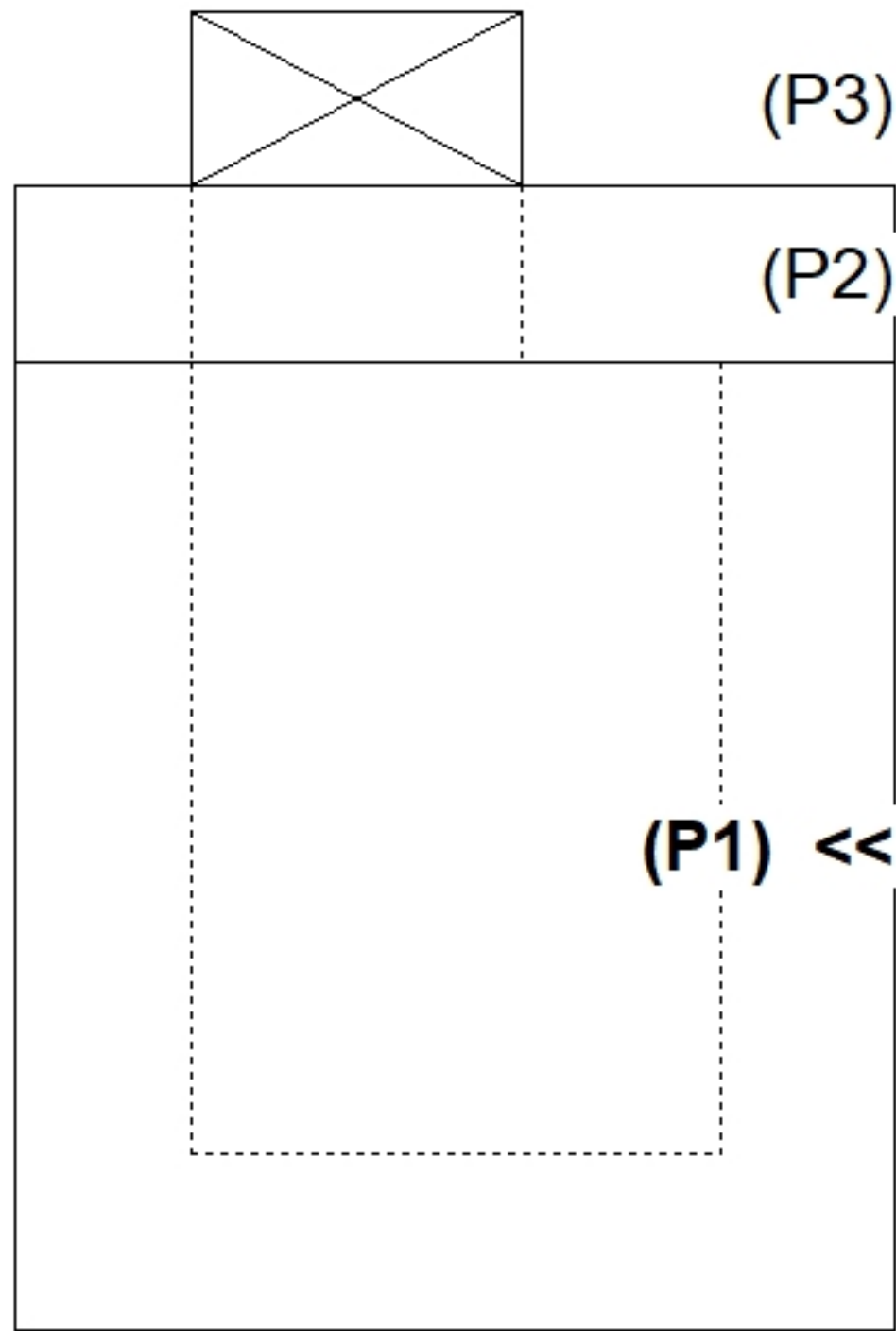
REINFORCING PER ASTM A615 (GRADE 60).
 - TOP SLAB (As .62) #5 BARS AT 6" C.C.E.W. (DBL MAT).
 - WALLS (As .31) #5 BARS AT 12" C.C.E.W.
 - FLOOR (As .31) #5 BARS AT 12" C.C.E.W.

Rim: 423.2' Rim to Invert: 4.4' Slack: 0.8" Sump: 0" Step Position:

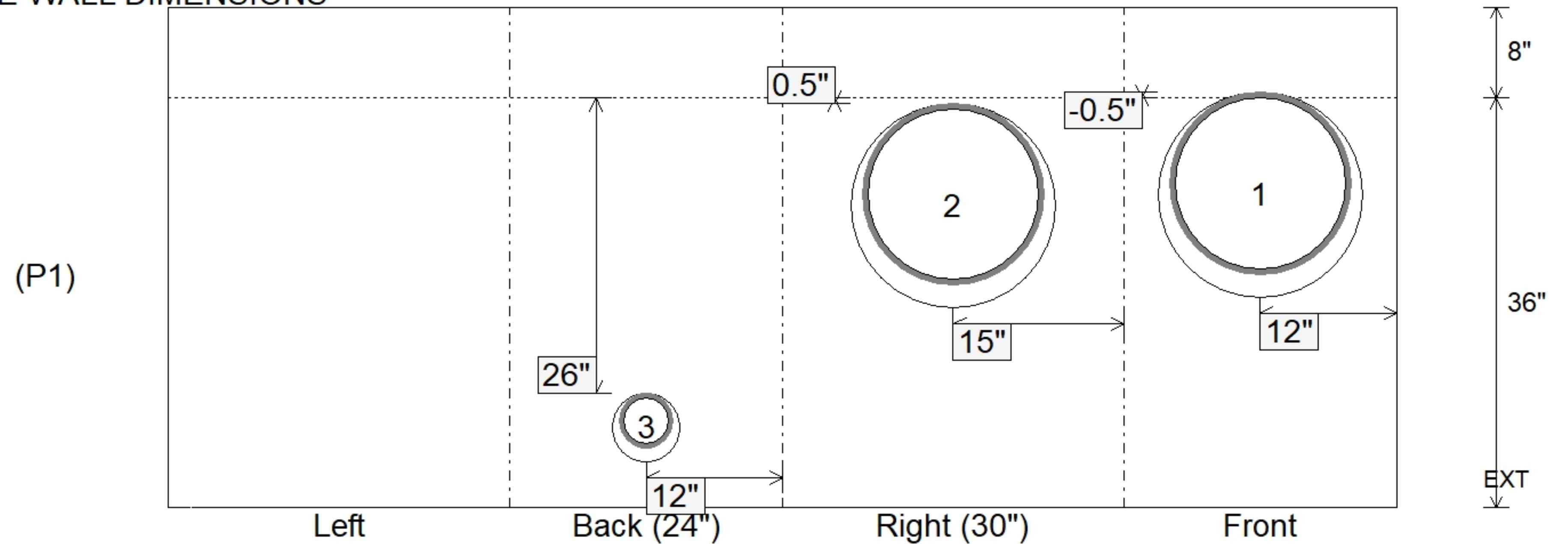
Position	Elev	Angle	Ext. (cw)	Pipe	Pipe OD	Connector	Hole	Horz Size	Up ()	Offset
Invert 1	418.8'	0°	20"	15" CMP	16"	Hole 18	18"	18"	-0.5"	0"
Invert 2	418.88'	90°	23"	15" CMP	16"	Hole 18	18"	18"	0.5"	0"
Invert 3	421'	180°	20"	4" HDPE (perf pipe)	4.8"	Hole 6	6"	6"	26"	0"
Invert 4										
Invert 5										
Invert 6										
Invert 7										
Invert 8										

RIGHT-SIDE UP VIEW (int. dimensions)

UPSIDE-DOWN VIEW (int. dimensions)



INSIDE WALL DIMENSIONS



Coating (Int): Coating (Ext):	Seam Up: Flat Seam Dn: n/a	Wall Thickness: 8" Floor Height: 8"	Height (Int): 36" Height (Ext): 44"	Weight (Net): 4258 lb Volume (Net): 1.09cu.yd
----------------------------------	-------------------------------	--	--	--