

**Job Name: 23-1914 - KYTC Daviess County ID 231032**  
**Job Location: Owensboro, KY 42701**  
**Contractor: Mick-Murf Construction Inc.**

PC: C. Goff  
 TECH: J. Horsley  
 Plant: 100



Structure ID: **099 (KY B 10ft)**  
 Spec: KYTC  
 Type: CBI TYPE B (10') private  
 Size: 24" x 36"

Rim: 423.45'  
 Invert: 418.37'  
 Rim to Invert: 5.08'

Sump: 0"  
 Floor (Top): 418.37'  
 Floor Height: 8"

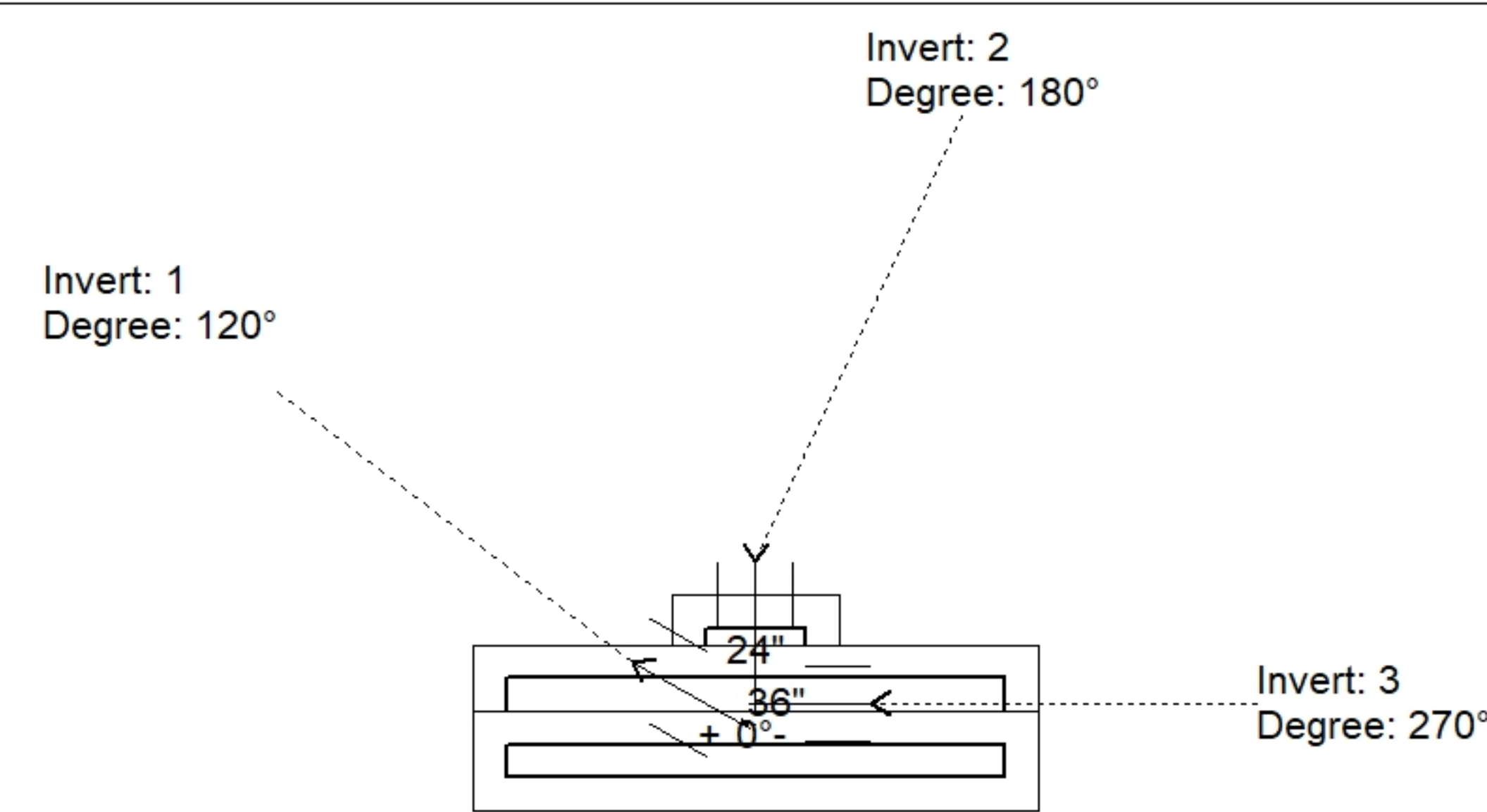
Floor (Bot): 417.703'  
 Overall Height: 5.667'  
 Slack: 0.96"

**Structure Notes:**

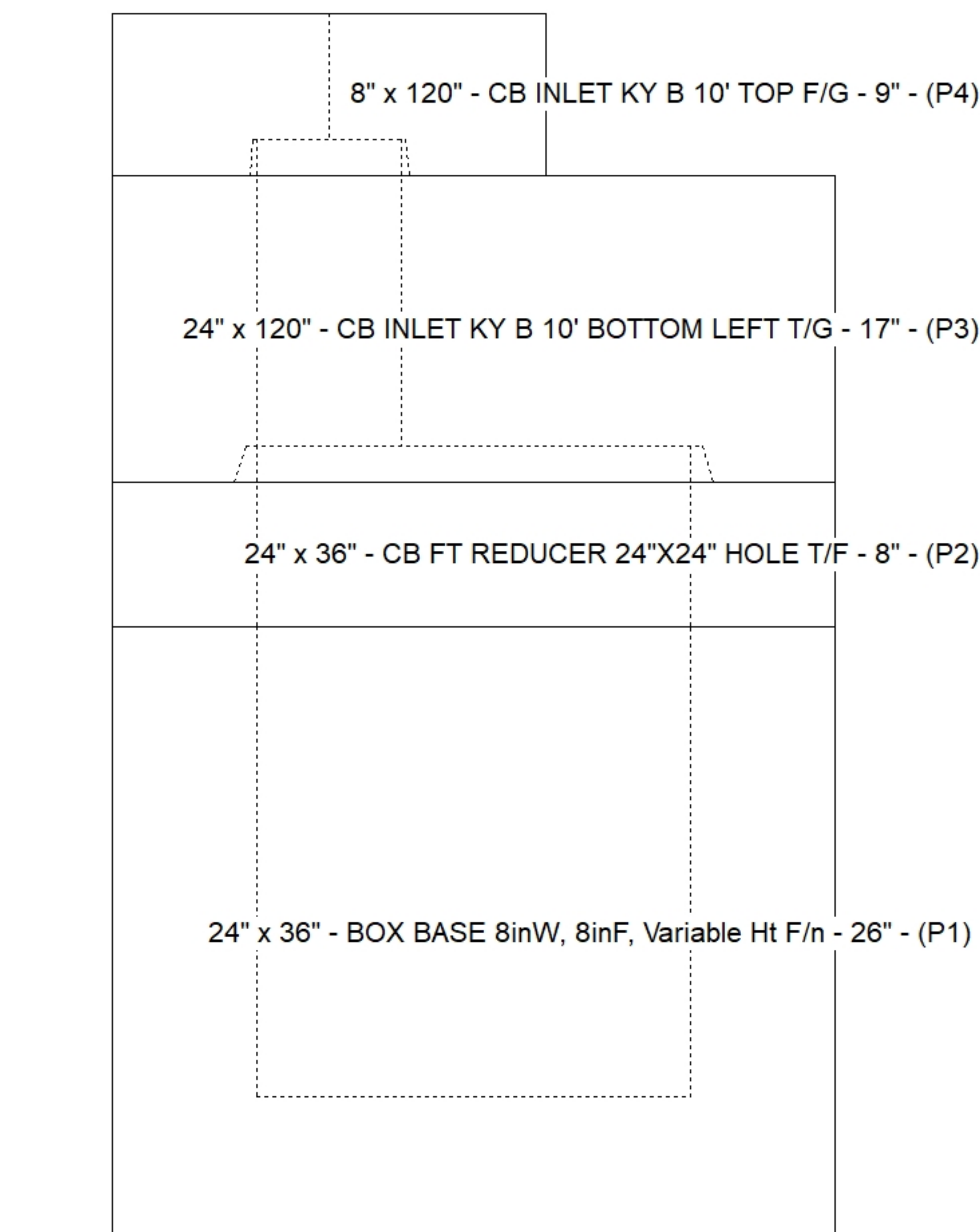
- \*\* KYTC STATE PROJECT \*\***
- PER KYTC CBI TYPE B / ASTM C913 SPEC'S.
  - CONCRETE = 4,000 PI AT 28 DAYS.
  - NO STEPS & NO INVERT CHANNEL.
  - CBI KY B F/G - BY OTHERS.
- REINFORCING PER ASTM A615 (GRADE 60).  
 - TOP PHASE (As .62) #5 BARS AT 6" C.C.E.W.  
 - TRANS SLAB (As .62) #5 BARS AT 6" C.C.E.W. (DBL MAT.)  
 - WALLS/FLOOR (As .31) #5 BARS AT 12" C.C.E.W.

**STRUCTURE SUMMARY:**

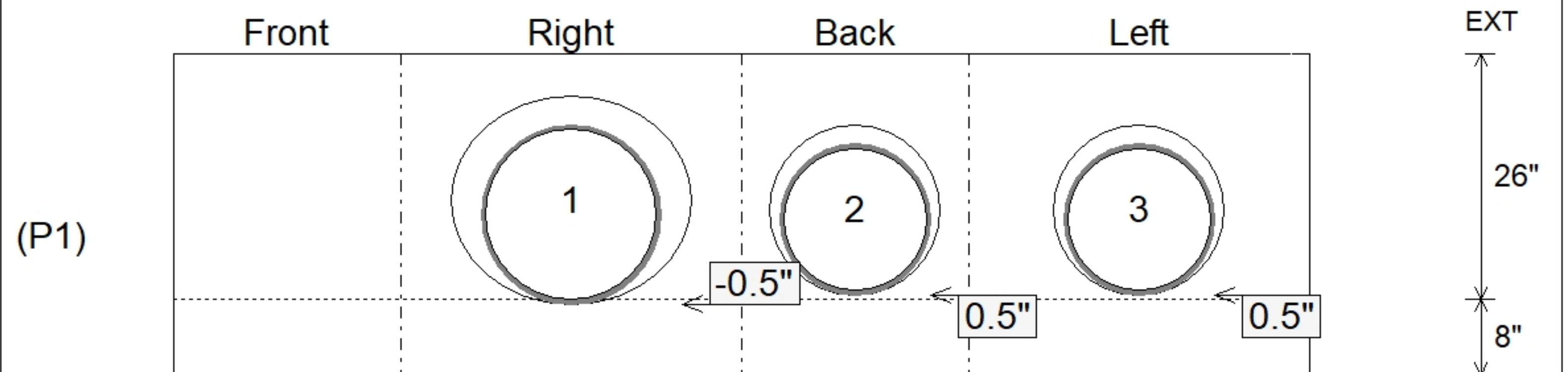
P4) 8" x 120" - CB INLET KY B 10' TOP F/G - 9"	1660 lb
P3) 24" x 120" - CB INLET KY B 10' BOTTOM LEFT T/G - 17"	2650 lb
P2) 24" x 36" - CB FT REDUCER 24"X24" HOLE T/F - 8"	1010 lb
P1) 24" x 36" - BOX BASE 8inW, 8inF, Variable Ht F/n - 26"	3413 lb
1) 24" x 36" - Conseal CS-102 1.00"	0 lb
1) 24" x 24" - Conseal CS-102 1.00"	0 lb
1) Hole - 22	0 lb
2) Hole - 18	0 lb
<b>Structure Total:</b>	<b>8733 lb</b>



Position	Elev	Angle	Pipe	Pipe OD	Hole	Connector	Up (")	Ref
Rim	423.45'							
Reducer	420.537'							
Invert 1	418.37'	120°	18" CMP	19"	22"	Hole 22	-0.5"	P1
Invert 2	418.45'	180°	15" CMP	16"	18"	Hole 18	0.5"	P1
Invert 3	418.45'	270°	15" CMP	16"	18"	Hole 18	0.5"	P1
Invert 4								
Invert 5								
Invert 6								
Invert 7								
Invert 8								



**Cast (Int. Dim.) - Interior Dimensions**



Submittal Drawing  
 1/8/2026 10:13:26 AM

SUBMITTAL  
 APPROVED BY: