

**Structure ID: 099 (KY B 10ft)**

**P1 BX2436-08BVF**

**BOX BASE 8inW, 8inF, Variable Ht F/n**

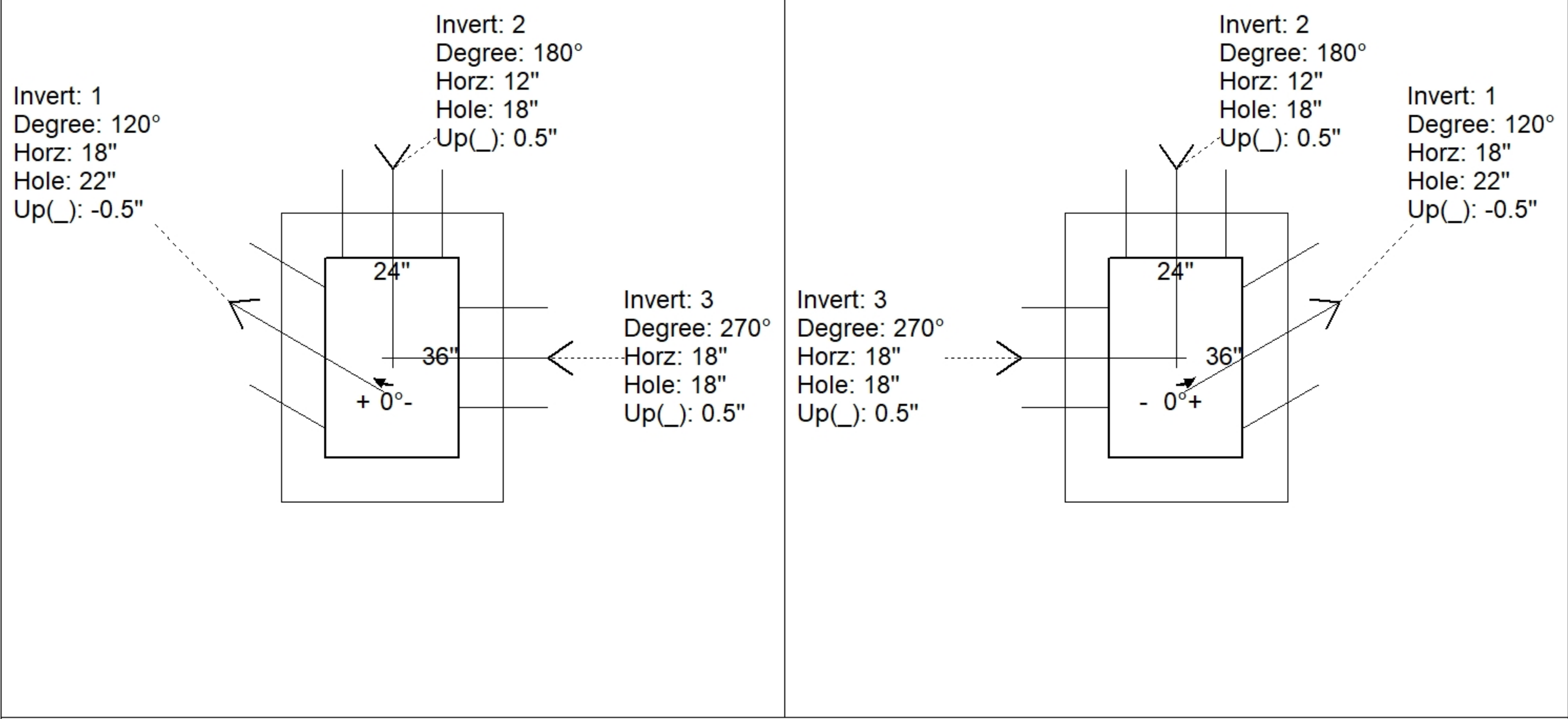
P4) 8" x 120" - CB INLET KY B 10' TOP F/G - 9" P3) 24" x 120" - CB INLET KY B 10' BOTTOM LEFT T/G - 17" P2) 24" x 36" - CB FT REDUCER 24"X24" HOLE T/F - 8" P1) 24" x 36" - BOX BASE 8inW, 8inF, Variable Ht F/n - 26" 1) 24" x 36" - Conseal CS-102 1.00" 1) 24" x 24" - Conseal CS-102 1.00" 1) Hole - 22 2) Hole - 18	1660 lb 2650 lb 1010 lb 3413 lb 0 lb 0 lb 0 lb 0 lb 0 lb	<b>Structure Notes:</b> <b>** KYTC STATE PROJECT **</b> 1. PER KYTC CBI TYPE B / ASTM C913 SPEC'S. 2. CONCRETE = 4,000 PI AT 28 DAYS. 3. NO STEPS & NO INVERT CHANNEL. 5. CBI KY B F/G - BY OTHERS.  <b>REINFORCING PER ASTM A615 (GRADE 60).</b> - TOP PHASE (As .62) #5 BARS AT 6" C.C.E.W. - TRANS SLAB (As .62) #5 BARS AT 6" C.C.E.W. (DBL MAT.) - WALLS/FLOOR (As .31) #5 BARS AT 12" C.C.E.W.
Structure Total:		8733 lb

Rim: 423.45'    Rim to Invert: 5.08'    Slack: 0.96"    Sump: 0"    Step Position:

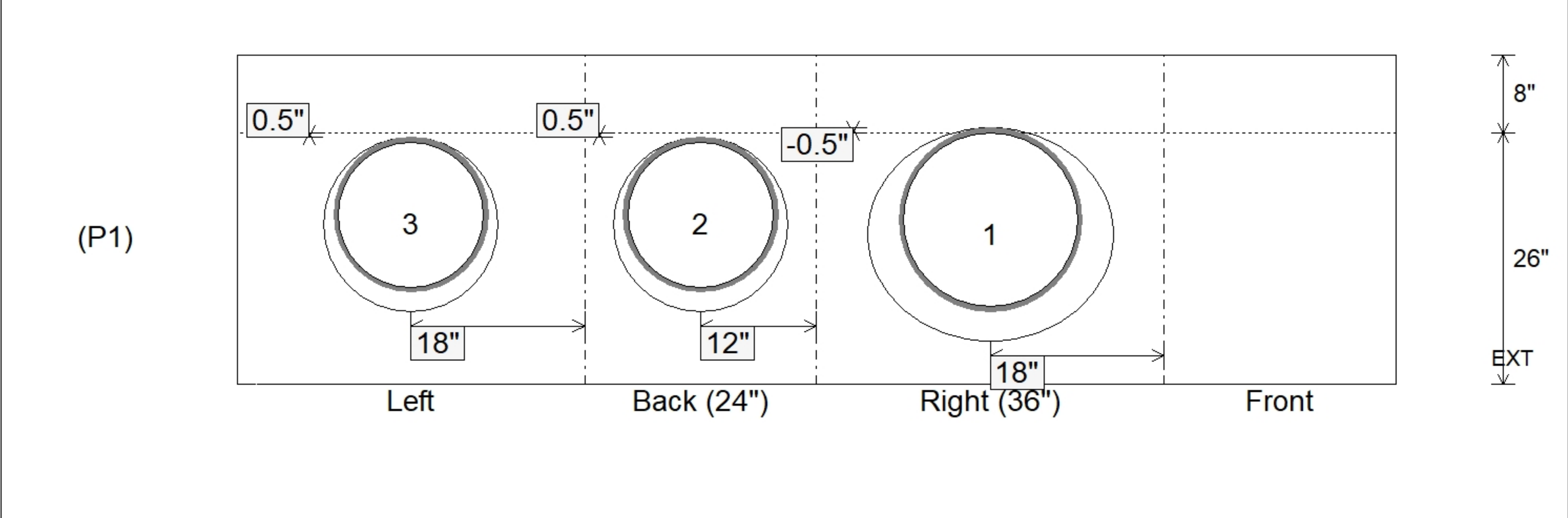
Position	Elev	Angle	Ext. (cw)	Pipe	Pipe OD	Connector	Hole	Horz Size	Up ( )	Offset
Invert 1	418.37'	120°	30.625"	18" CMP	19"	Hole 22	22"	25.403"	-0.5"	-6"
Invert 2	418.45'	180°	20"	15" CMP	16"	Hole 18	18"	18"	0.5"	0"
Invert 3	418.45'	270°	26"	15" CMP	16"	Hole 18	18"	18"	0.5"	0"
Invert 4										
Invert 5										
Invert 6										
Invert 7										
Invert 8										

**RIGHT-SIDE UP VIEW (int. dimensions)**

**UPSIDE-DOWN VIEW (int. dimensions)**



**INSIDE WALL DIMENSIONS**



Coating (Int): Coating (Ext):	Seam Up: Flat Seam Dn: n/a	Wall Thickness: 8" Floor Height: 8"	Height (Int): 26" Height (Ext): 34"	Weight (Net): 3413 lb Volume (Net): 0.87cu.yd
----------------------------------	-------------------------------	--	--	--