

**Job Name: 23-1914 - KYTC Daviess County ID 231032**  
**Job Location: Owensboro, KY 42701**  
**Contractor: Mick-Murf Construction Inc.**

PC: C. Goff  
 TECH: J. Horsley  
 Plant: 100



Structure ID: **095 (DBI-13G)**

Spec: KYTC  
 Type: DBI TYPE 13G private  
 Size: 24" x 30"

Rim: 422.7'  
 Invert: 417.5'  
 Rim to Invert: 5.2'

Sump: 0"  
 Floor (Top): 417.5'  
 Floor Height: 8"

Floor (Bot): 416.833'  
 Overall Height: 5.833'  
 Slack: 0.4"

Structure Notes:

**\*\*KYTC STATE PROJECT\*\***

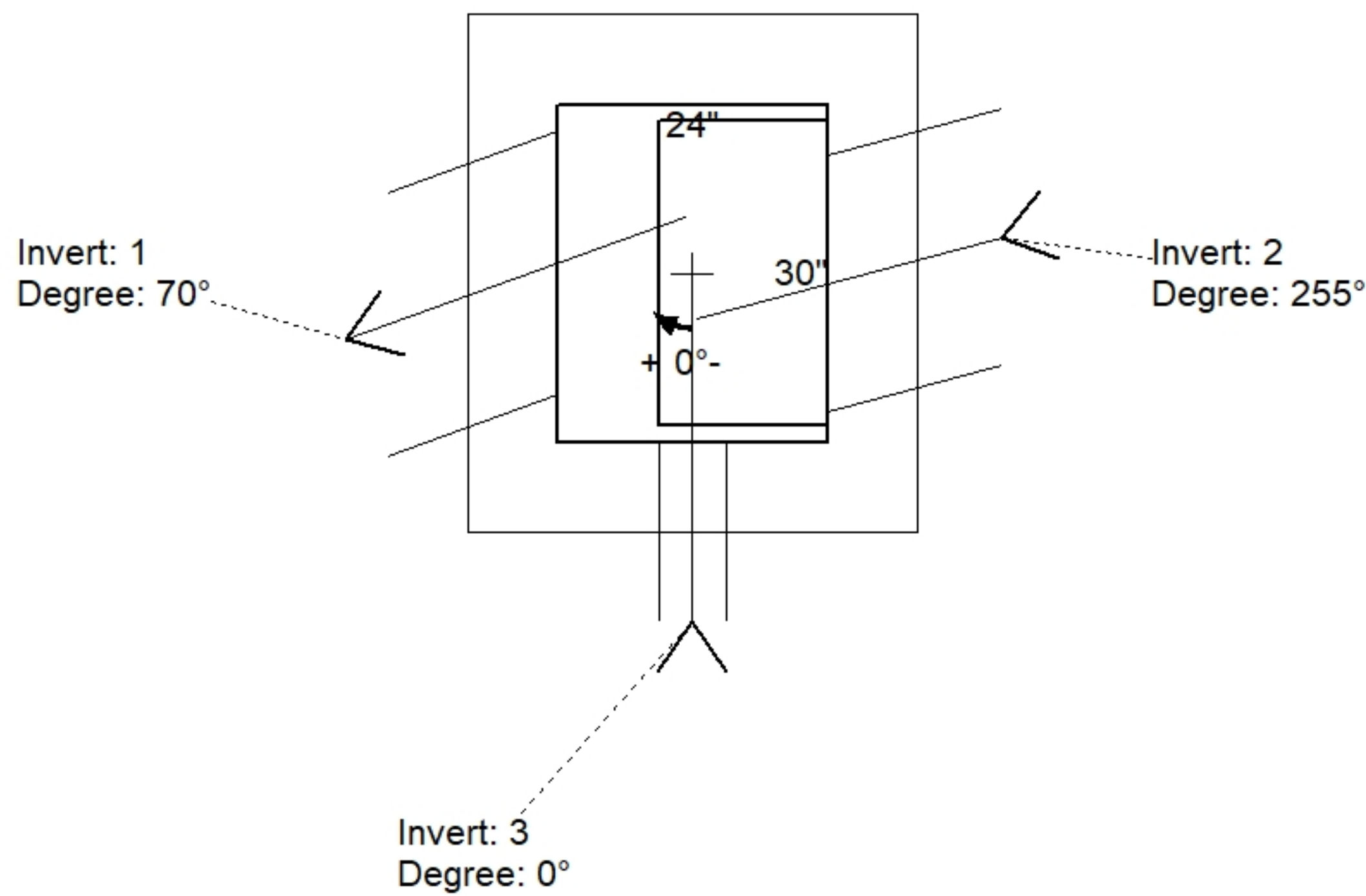
1. KYTC DBI TYPE 13G / ASTM C-913 SPEC'S.
2. CONCRETE = 4,000 PSI AT 28 DAYS.
3. NO STEPSS & NO INVERT CHANNEL.
4. HOE KY-230G (DBI-13G F/G) BY OTHERS.
5. STUB #5 BARS 6" OUT TOP OF TOP SLAB  
 SPA AT 12" C/C AROUND 15X27 HOLE

REINFORCING PER ASTM A615 (GRADE 60).

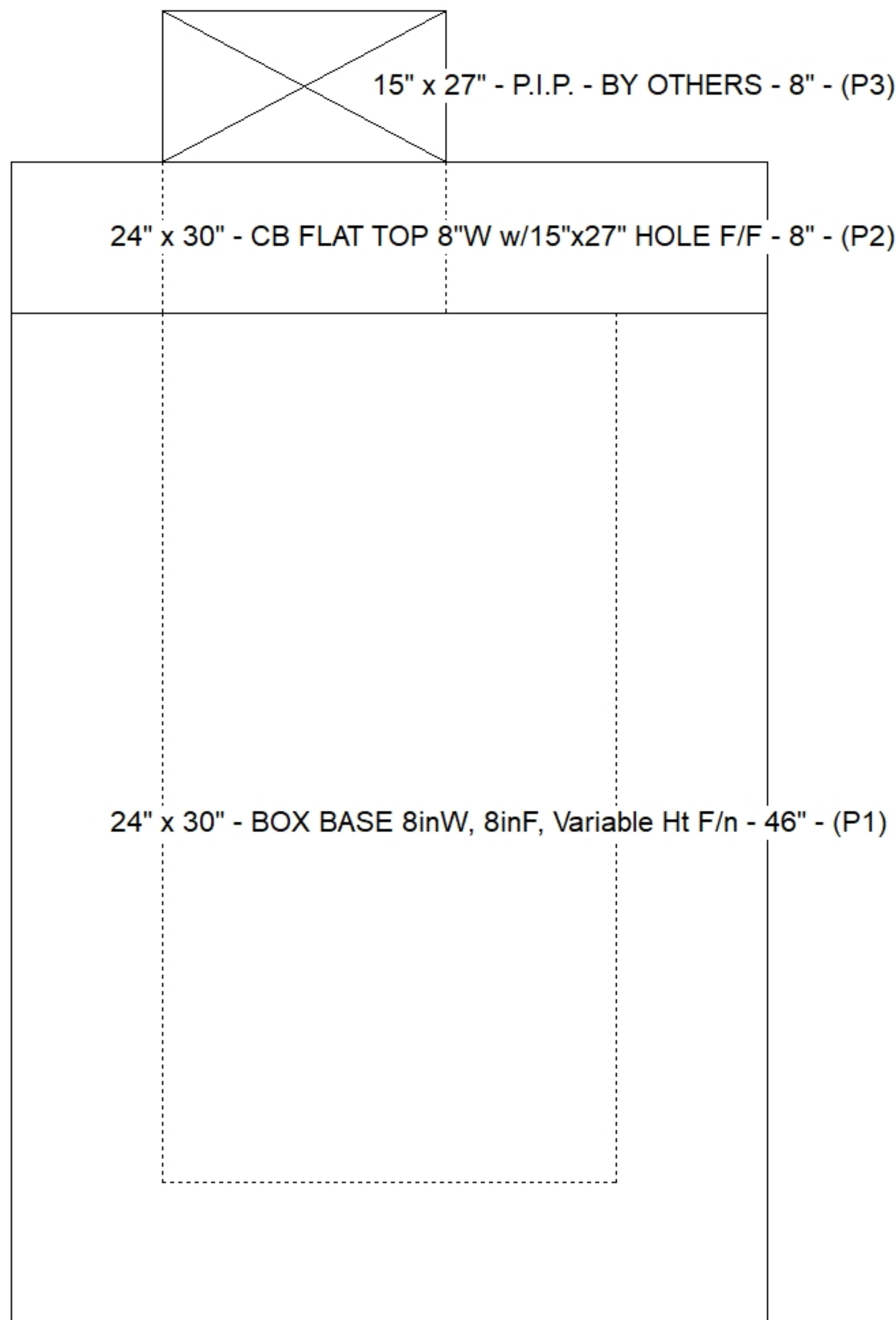
- TOP SLAB (As .62) #5 BARS AT 6" C.C.E.W. (DBL MAT).
- WALLS (As .31) #5 BARS AT 12" C.C.E.W.
- FLOOR (As .31) #5 BARS AT 12" C.C.E.W.

STRUCTURE SUMMARY:

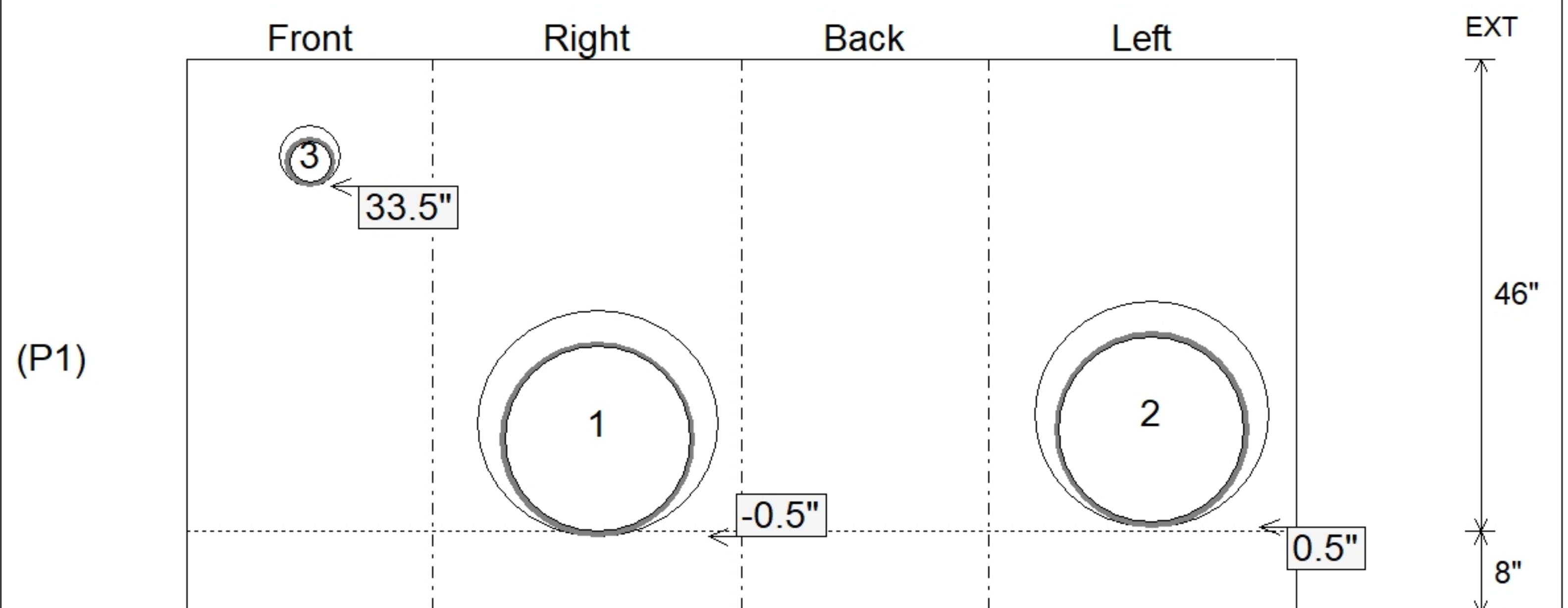
P3) 15" x 27" - P.I.P. - BY OTHERS - 8"	0 lb
P2) 24" x 30" - CB FLAT TOP 8"W w/15"x27" HOLE F/F - 8"	963 lb
P1) 24" x 30" - BOX BASE 8inW, 8inF, Variable Ht F/n - 46"	5004 lb
1) 24" x 30" - Conseal CS-102 1.00"	0 lb
2) Hole - 22	0 lb
1) Hole - 6	0 lb
<b>Structure Total:</b>	<b>5967 lb</b>



Position	Elev	Angle	Pipe	Pipe OD	Hole	Connector	Up ( )	Ref
Rim	422.7'							
Reducer								
Invert 1	417.5'	70°	18" CMP	19"	22"	Hole 22	-0.5"	P1
Invert 2	417.58'	255°	18" CMP	19"	22"	Hole 22	0.5"	P1
Invert 3	420.33'	0°	4" HDPE (perf pipe)	4.8"	6"	Hole 6	33.5"	P1
Invert 4								
Invert 5								
Invert 6								
Invert 7								
Invert 8								



**Cast (Int. Dim.) - Interior Dimensions**



Submittal Drawing  
 1/8/2026 10:13:25 AM

SUBMITTAL  
 APPROVED BY: