

**Structure ID: 095 (DBI-13G)**

**P1 BX24300808VF**

**BOX BASE 8inW, 8inF, Variable Ht F/n**

P3) 15" x 27" - P.I.P. - BY OTHERS - 8" P2) 24" x 30" - CB FLAT TOP 8"W w/15"x27" HOLE F/F - 8" P1) 24" x 30" - BOX BASE 8inW, 8inF, Variable Ht F/n - 46" 1) 24" x 30" - Conseal CS-102 1.00" 2) Hole - 22 1) Hole - 6	0 lb 963 lb 5004 lb 0 lb 0 lb 0 lb <hr style="width: 50px; margin-left: auto; margin-right: 0;"/> Structure Total: 5967 lb
--	--

**Structure Notes:**  
**\*\*KYTC STATE PROJECT\*\***  
 1. KYTC DBI TYPE 13G / ASTM C-913 SPEC'S.  
 2. CONCRETE = 4,000 PSI AT 28 DAYS.  
 3. NO STEPSS & NO INVERT CHANNEL.  
 4. HOE KY-230G (DBI-13G F/G) BY OTHERS.  
 5. STUB #5 BARS 6" OUT TOP OF TOP SLAB SPA AT 12" C/C AROUND 15X27 HOLE

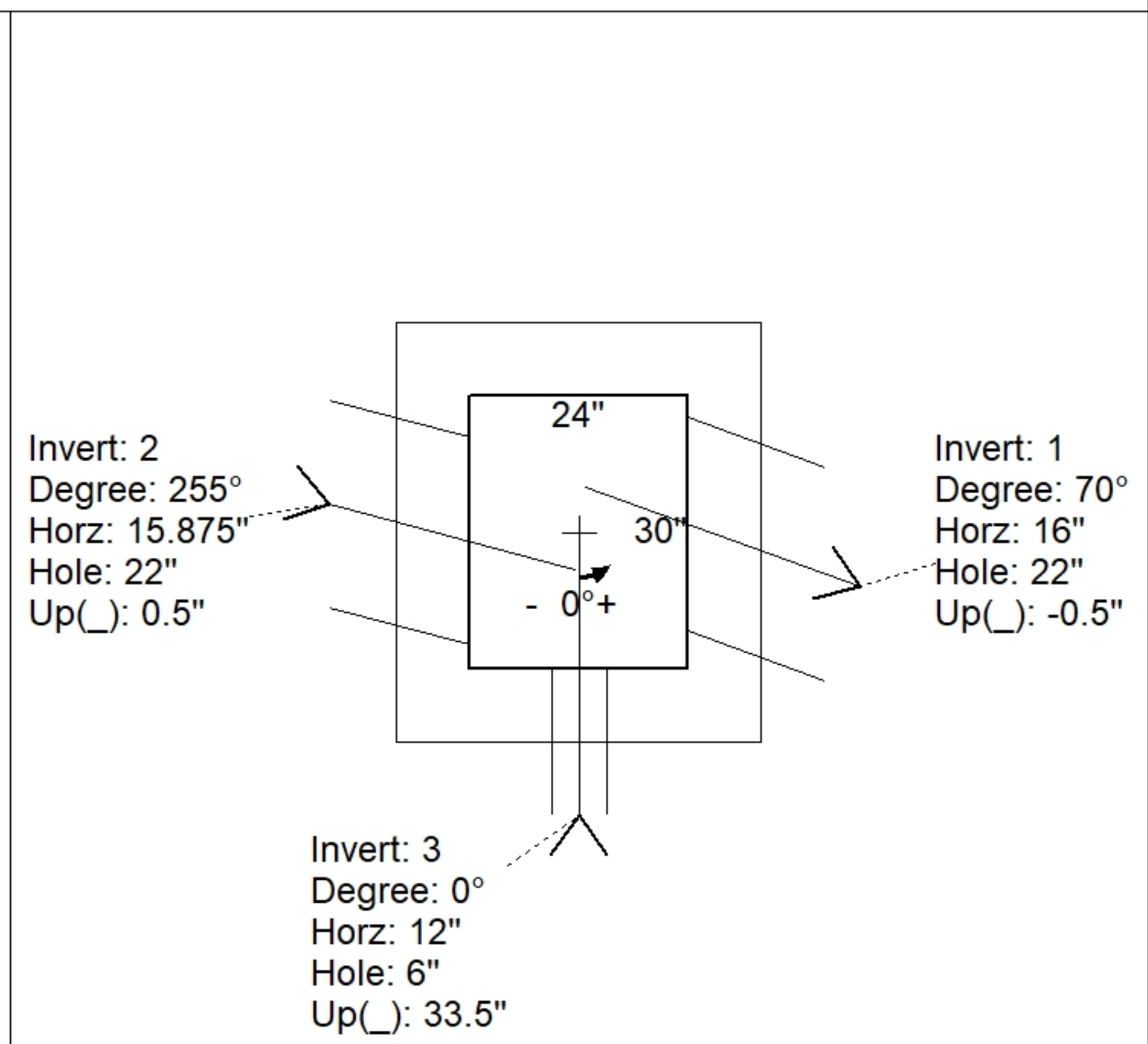
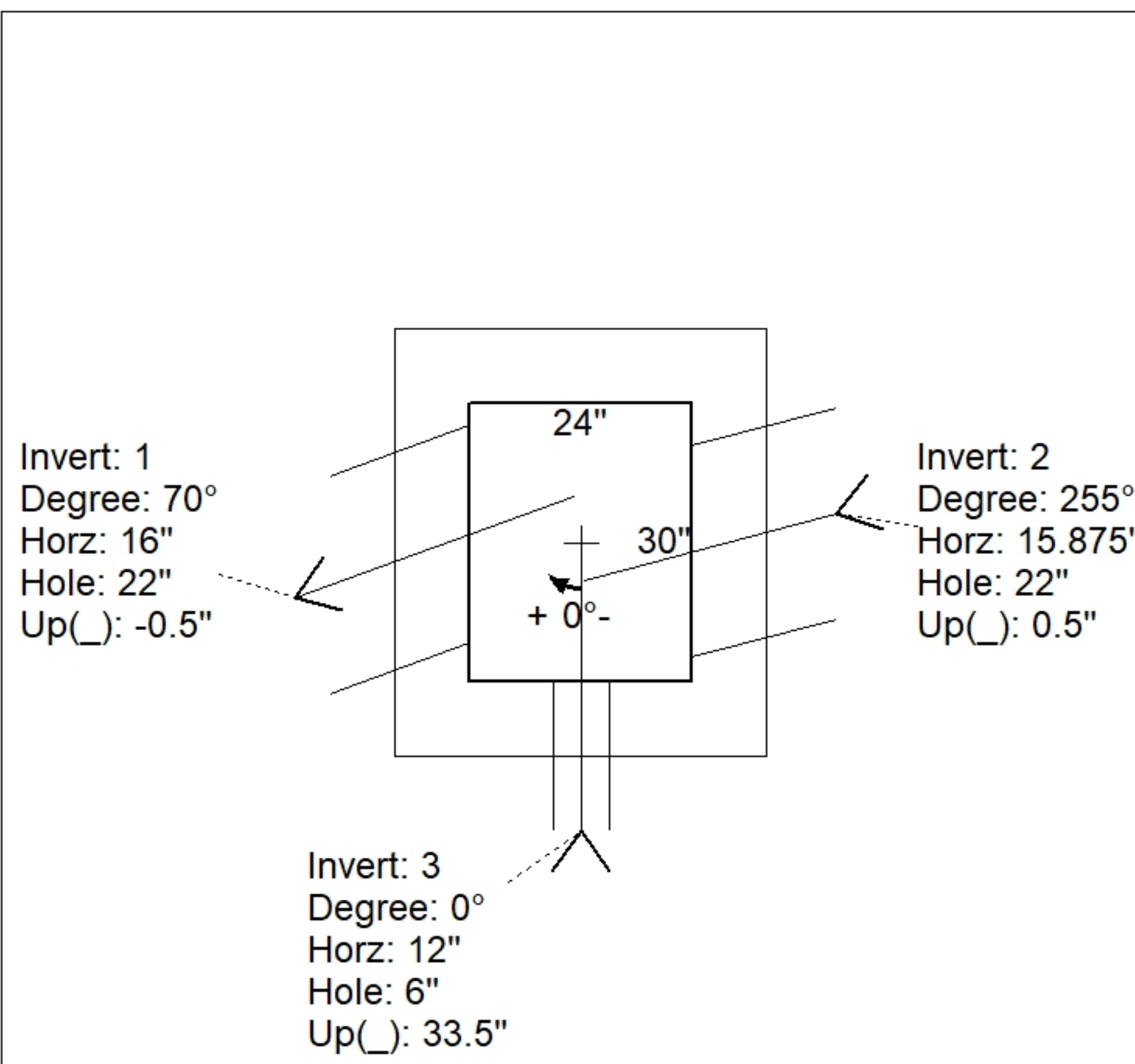
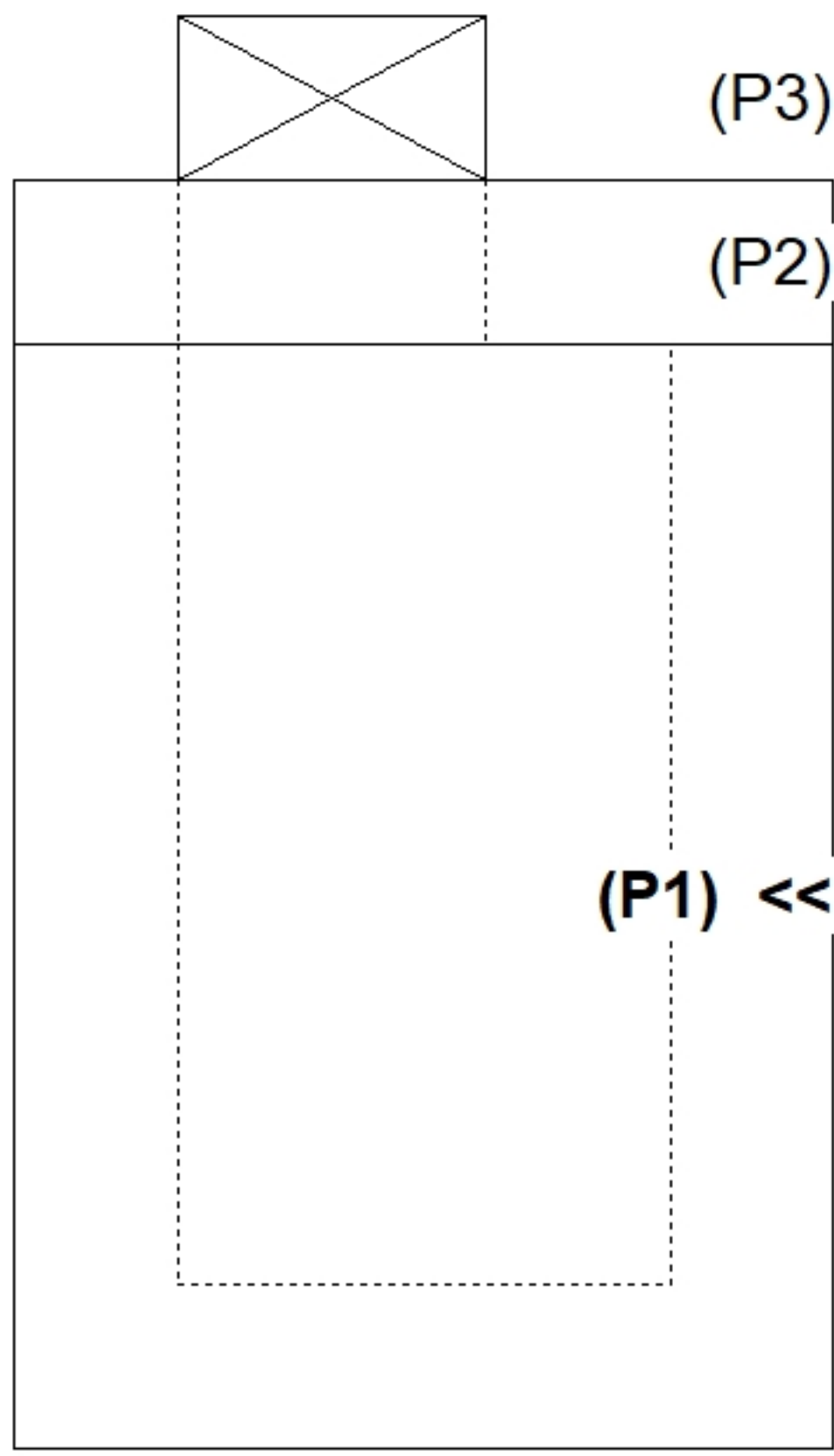
REINFORCING PER ASTM A615 (GRADE 60).  
 - TOP SLAB (As .62) #5 BARS AT 6" C.C.E.W. (DBL MAT).  
 - WALLS (As .31) #5 BARS AT 12" C.C.E.W.  
 - FLOOR (As .31) #5 BARS AT 12" C.C.E.W.

Rim: 422.7'      Rim to Invert: 5.2'      Slack: 0.4"      Sump: 0"      Step Position:

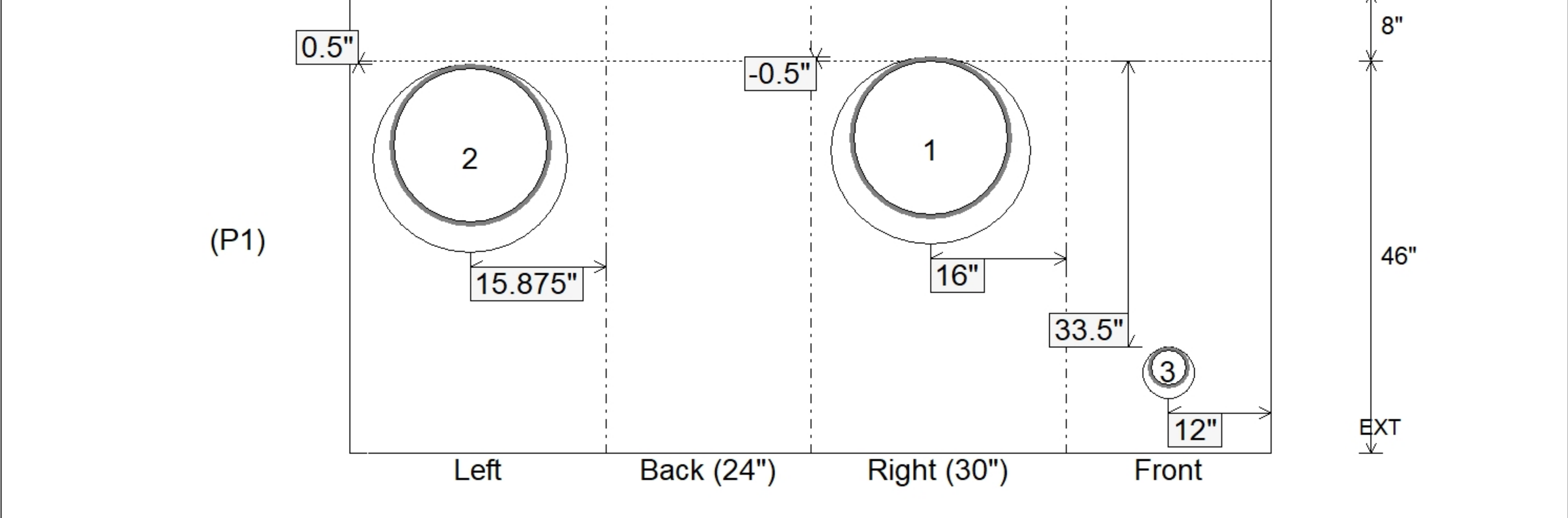
Position	Elev	Angle	Ext. (cw)	Pipe	Pipe OD	Connector	Hole	Horz Size	Up ( )	Offset
Invert 1	417.5'	70°	21"	18" CMP	19"	Hole 22	22"	23.412"	-0.5"	5"
Invert 2	417.58'	255°	21.75"	18" CMP	19"	Hole 22	22"	22.776"	0.5"	4"
Invert 3	420.33'	0°	20"	4" HDPE (perf pipe)	4.8"	Hole 6	6"	6"	33.5"	0"
Invert 4										
Invert 5										
Invert 6										
Invert 7										
Invert 8										

RIGHT-SIDE UP VIEW (int. dimensions)

UPSIDE-DOWN VIEW (int. dimensions)



INSIDE WALL DIMENSIONS



Coating (Int):	Seam Up: Flat	Wall Thickness: 8"	Height (Int): 46"
Coating (Ext):	Seam Dn: n/a	Floor Height: 8"	Height (Ext): 54"
		Weight (Net): 5004 lb	
		Volume (Net): 1.28cu.yd	