

Job Name: 23-1914 - KYTC Daviess County ID 231032
Job Location: Owensboro, KY 42701
Contractor: Mick-Murf Construction Inc.

PC: C. Goff
 TECH: J. Horsley
 Plant: 100



Structure ID: **094 (DBI-13G)**
 Spec: KYTC
 Type: DBI TYPE 13G private
 Size: 36" x 36"

Rim: 422.46'
 Invert: 417.96'
 Rim to Invert: 4.5'

Sump: 0"
 Floor (Top): 417.96'
 Floor Height: 8"

Floor (Bot): 417.293'
 Overall Height: 5.167'
 Slack: 0"

Structure Notes:

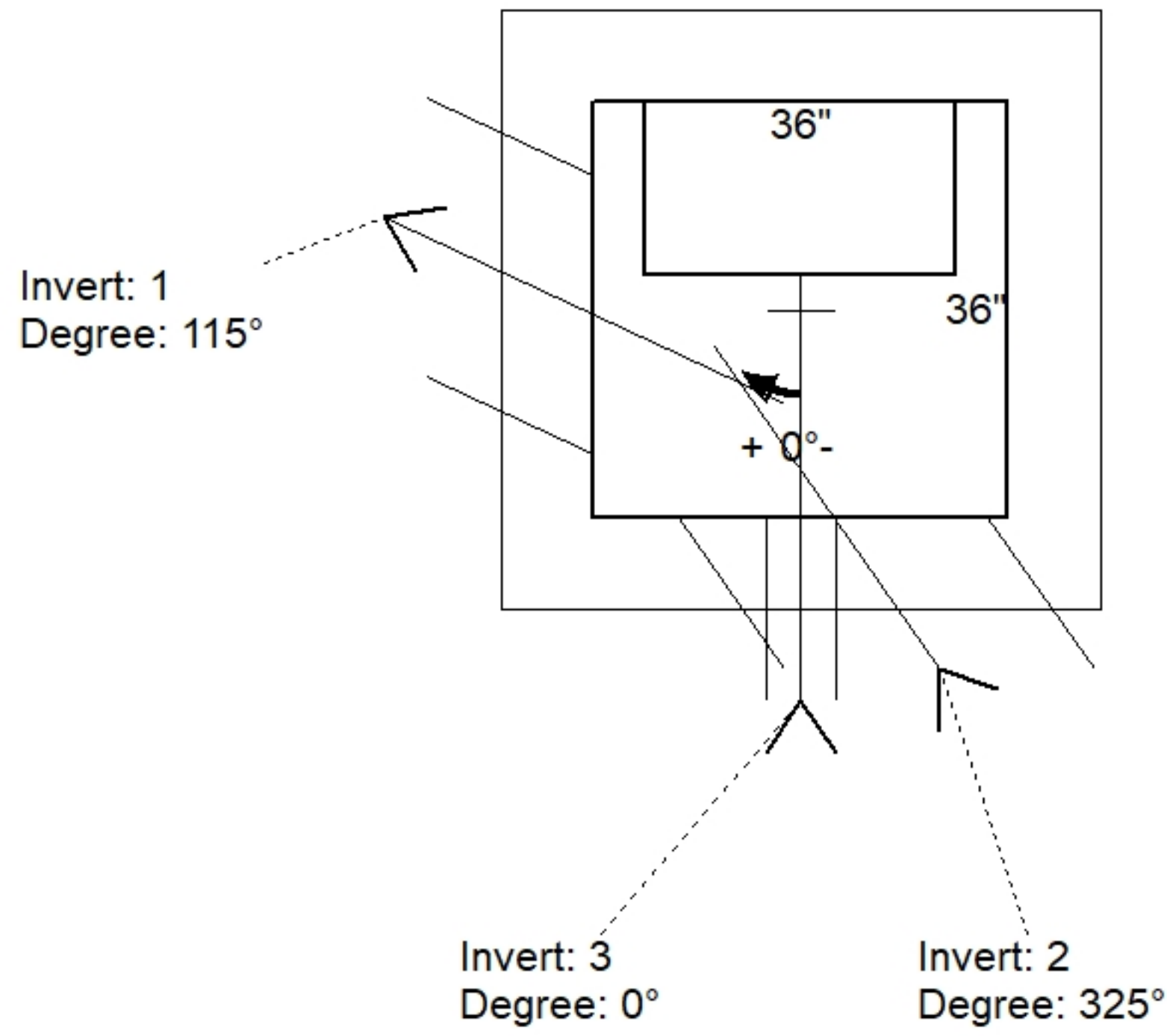
****KYTC STATE PROJECT****

1. KYTC DBI TYPE 13G / ASTM C-913 SPEC'S.
2. CONCRETE = 4,000 PSI AT 28 DAYS.
3. NO STEPSS & NO INVERT CHANNEL.
4. HOE KY-230G (DBI-13G F/G) BY OTHERS.
5. STUB #5 BARS 6" OUT TOP OF TOP SLAB
 SPA AT 12" C/C AROUND 15X27 HOLE

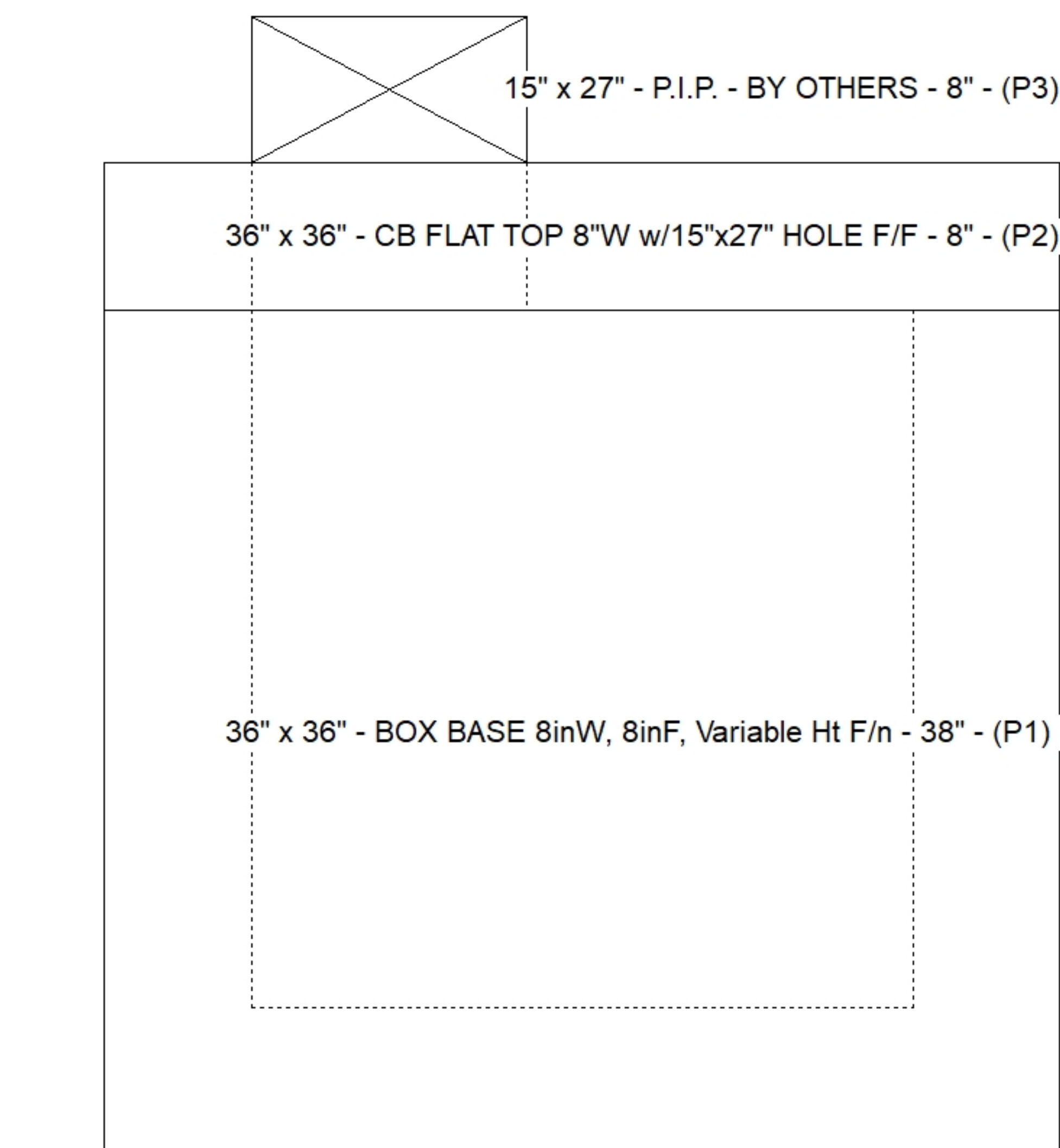
REINFORCING PER ASTM A615 (GRADE 60).
 - TOP SLAB (As .62) #5 BARS AT 6" C.C.E.W. (DBL MAT).
 - WALLS (As .31) #5 BARS AT 12" C.C.E.W.
 - FLOOR (As .31) #5 BARS AT 12" C.C.E.W.

STRUCTURE SUMMARY:

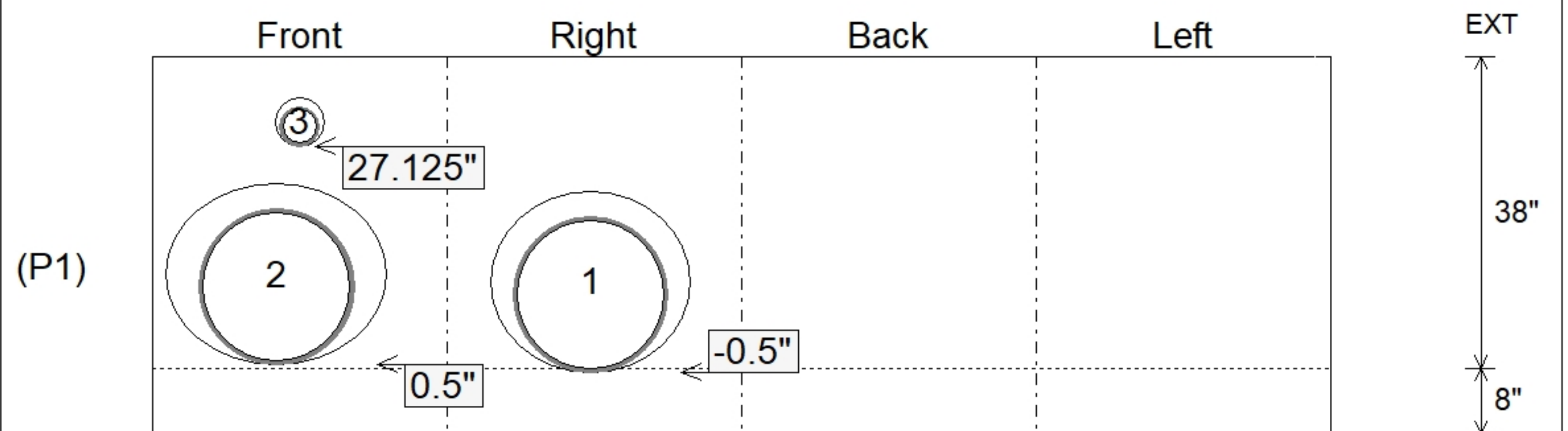
P3) 15" x 27" - P.I.P. - BY OTHERS - 8"	0 lb
P2) 36" x 36" - CB FLAT TOP 8"W w/15"x27" HOLE F/F - 8"	1543 lb
P1) 36" x 36" - BOX BASE 8inW, 8inF, Variable Ht F/n - 38"	5693 lb
1) 36" x 36" - Conseal CS-102 1.00"	0 lb
2) Hole - 22	0 lb
1) Hole - 6	0 lb
Structure Total:	7236 lb



Position	Elev	Angle	Pipe	Pipe OD	Hole	Connector	Up (")	Ref
Rim	422.46'							
Reducer								
Invert 1	417.96'	115°	18" CMP	19"	22"	Hole 22	-0.5"	P1
Invert 2	418.04'	325°	18" CMP	19"	22"	Hole 22	0.5"	P1
Invert 3	420.25'	0°	4" HDPE (perf pipe)	4.8"	6"	Hole 6	27.125"	P1
Invert 4								
Invert 5								
Invert 6								
Invert 7								
Invert 8								



Cast (Int. Dim.) - Interior Dimensions



Submittal Drawing
 1/8/2026 10:13:24 AM

SUBMITTAL
 APPROVED BY: