

Structure ID: 094 (DBI-13G)

P1 BX3636-08BAVF BOX BASE 8inW, 8inF, Variable Ht F/n

P3) 15" x 27" - P.I.P. - BY OTHERS - 8" P2) 36" x 36" - CB FLAT TOP 8"W w/15"x27" HOLE F/F - 8" P1) 36" x 36" - BOX BASE 8inW, 8inF, Variable Ht F/n - 38" 1) 36" x 36" - Conseal CS-102 1.00" 2) Hole - 22 1) Hole - 6	0 lb 1543 lb 5693 lb 0 lb 0 lb 0 lb ----- Structure Total: 7236 lb
--	---

Structure Notes:
****KYTC STATE PROJECT****
 1. KYTC DBI TYPE 13G / ASTM C-913 SPEC'S.
 2. CONCRETE = 4,000 PSI AT 28 DAYS.
 3. NO STEPPS & NO INVERT CHANNEL.
 4. HOE KY-230G (DBI-13G F/G) BY OTHERS.
 5. STUB #5 BARS 6" OUT TOP OF TOP SLAB SPA AT 12" C/C AROUND 15X27 HOLE

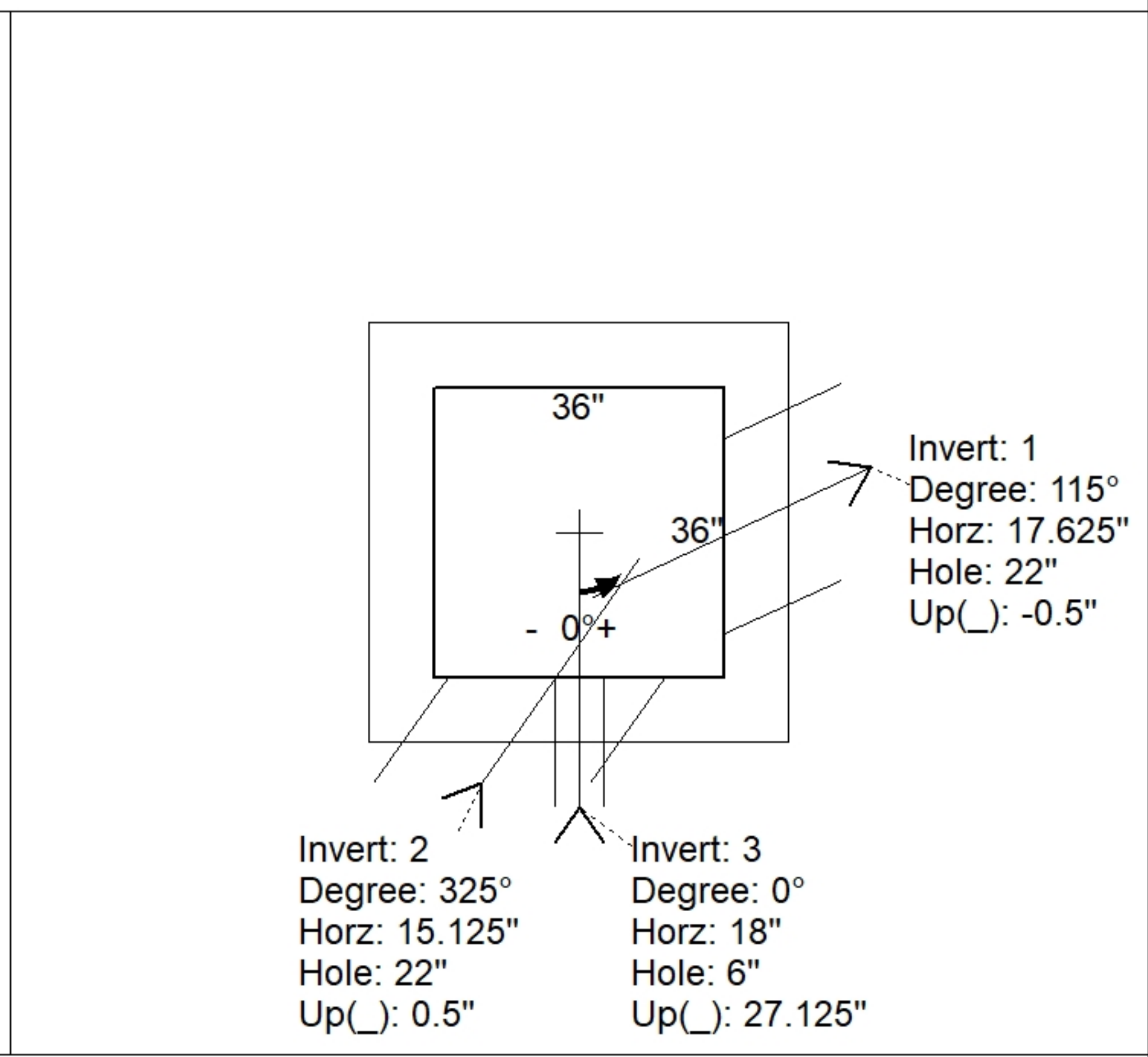
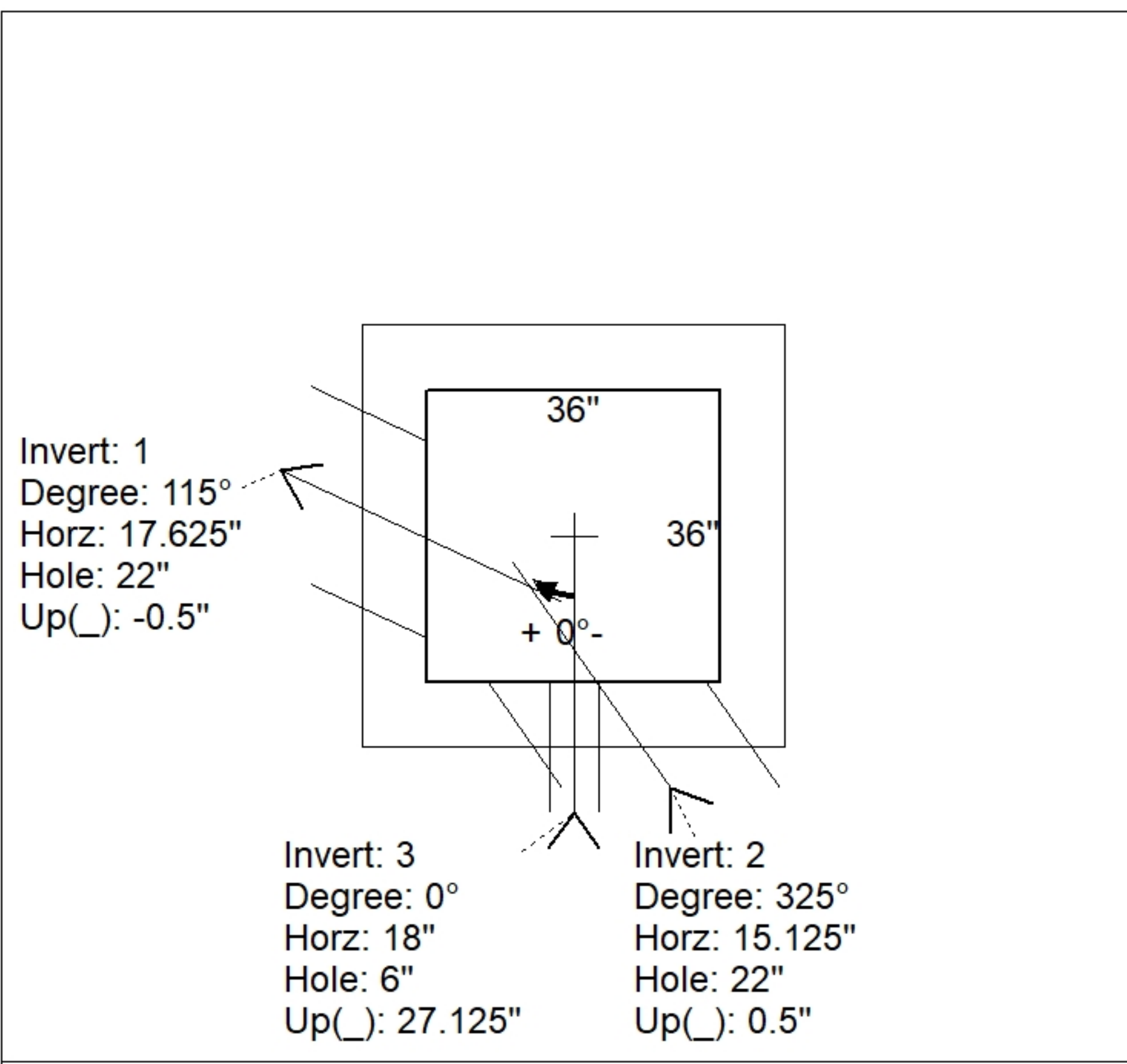
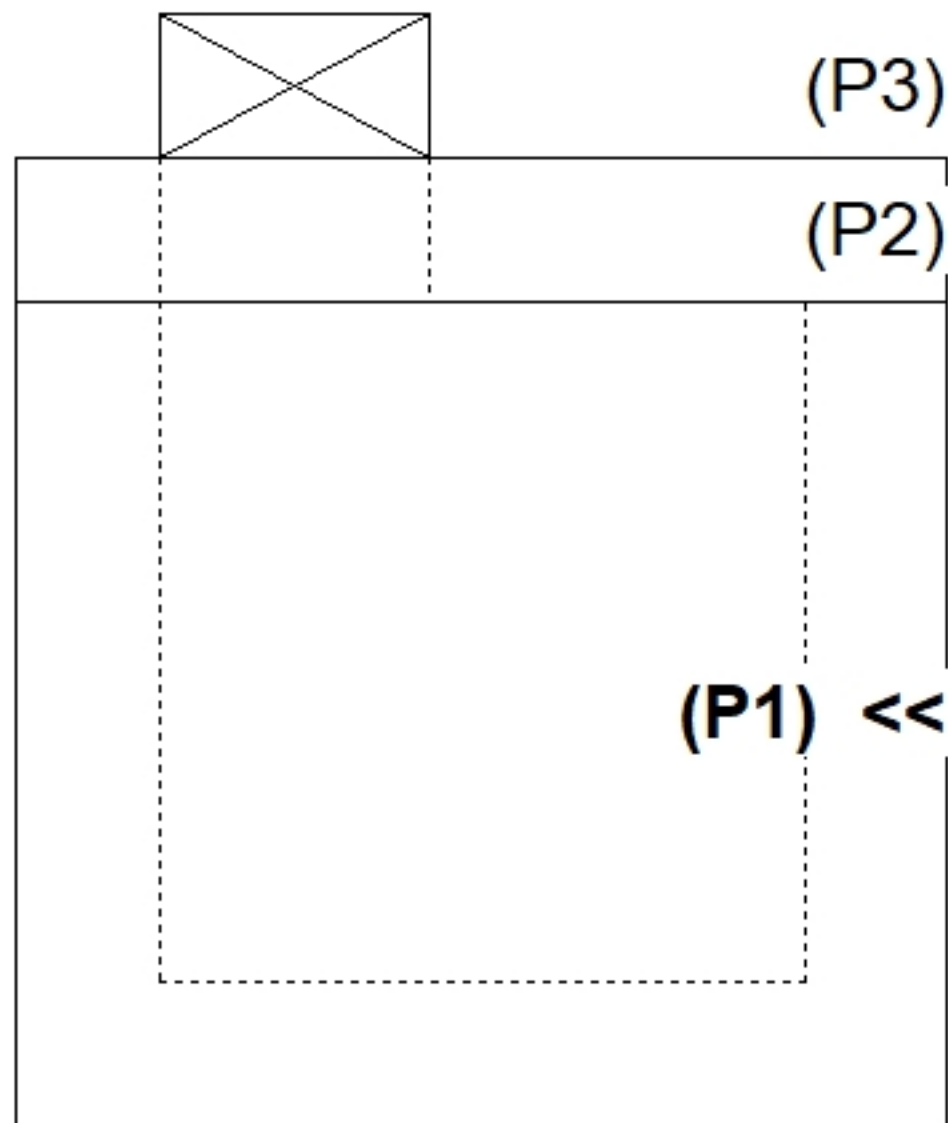
REINFORCING PER ASTM A615 (GRADE 60).
 - TOP SLAB (As .62) #5 BARS AT 6" C.C.E.W. (DBL MAT).
 - WALLS (As .31) #5 BARS AT 12" C.C.E.W.
 - FLOOR (As .31) #5 BARS AT 12" C.C.E.W.

Rim: 422.46' Rim to Invert: 4.5' Slack: 0" Sump: 0" Step Position:

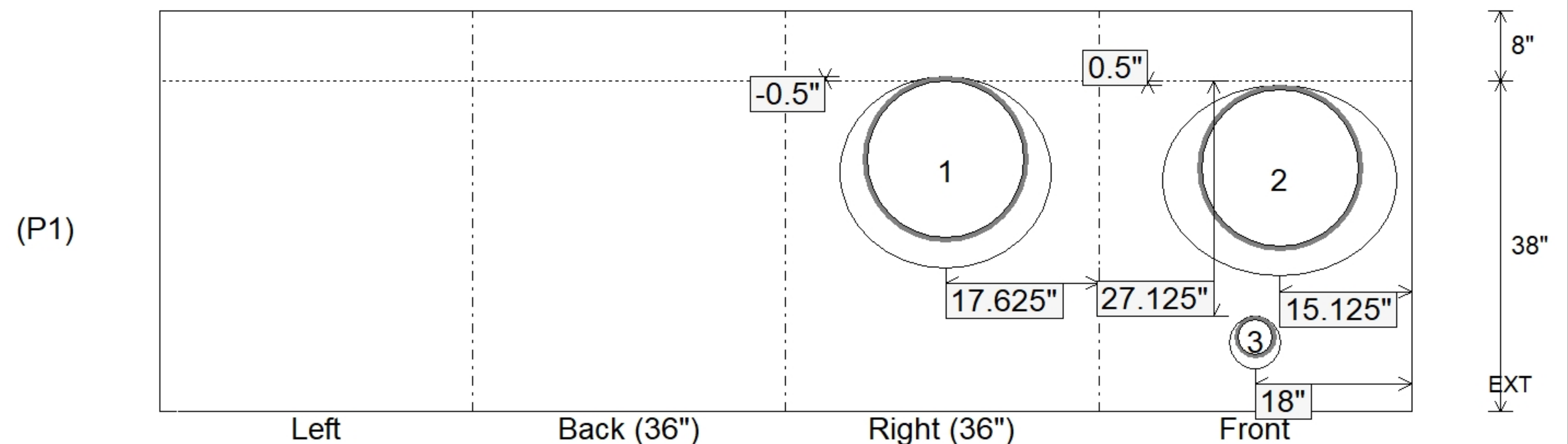
Position	Elev	Angle	Ext. (cw)	Pipe	Pipe OD	Connector	Hole	Horz Size	Up ()	Offset
Invert 1	417.96'	115°	29.25"	18" CMP	19"	Hole 22	22"	24.274"	-0.5"	-8"
Invert 2	418.04'	325°	17.5"	18" CMP	19"	Hole 22	22"	26.857"	0.5"	8"
Invert 3	420.25'	0°	26"	4" HDPE (perf pipe)	4.8"	Hole 6	6"	6"	27.125"	0"
Invert 4										
Invert 5										
Invert 6										
Invert 7										
Invert 8										

RIGHT-SIDE UP VIEW (int. dimensions)

UPSIDE-DOWN VIEW (int. dimensions)



INSIDE WALL DIMENSIONS



Coating (Int): Coating (Ext):	Seam Up: Flat Seam Dn: n/a	Wall Thickness: 8" Floor Height: 8"	Height (Int): 38" Height (Ext): 46"	Weight (Net): 5693 lb Volume (Net): 1.45cu.yd
----------------------------------	-------------------------------	--	--	--