

**Job Name: 23-1914 - KYTC Daviess County ID 231032**  
**Job Location: Owensboro, KY 42701**  
**Contractor: Mick-Murf Construction Inc.**

PC: C. Goff  
 TECH: J. Horsley  
 Plant: 100



Structure ID: 092 (KY B 10ft)  
 Spec: KYTC  
 Type: CBI TYPE B (10') private  
 Size: 36" x 48"

Rim: 424.22'  
 Invert: 415.44'  
 Rim to Invert: 8.78'

Sump: 0"  
 Floor (Top): 415.44'  
 Floor Height: 8"

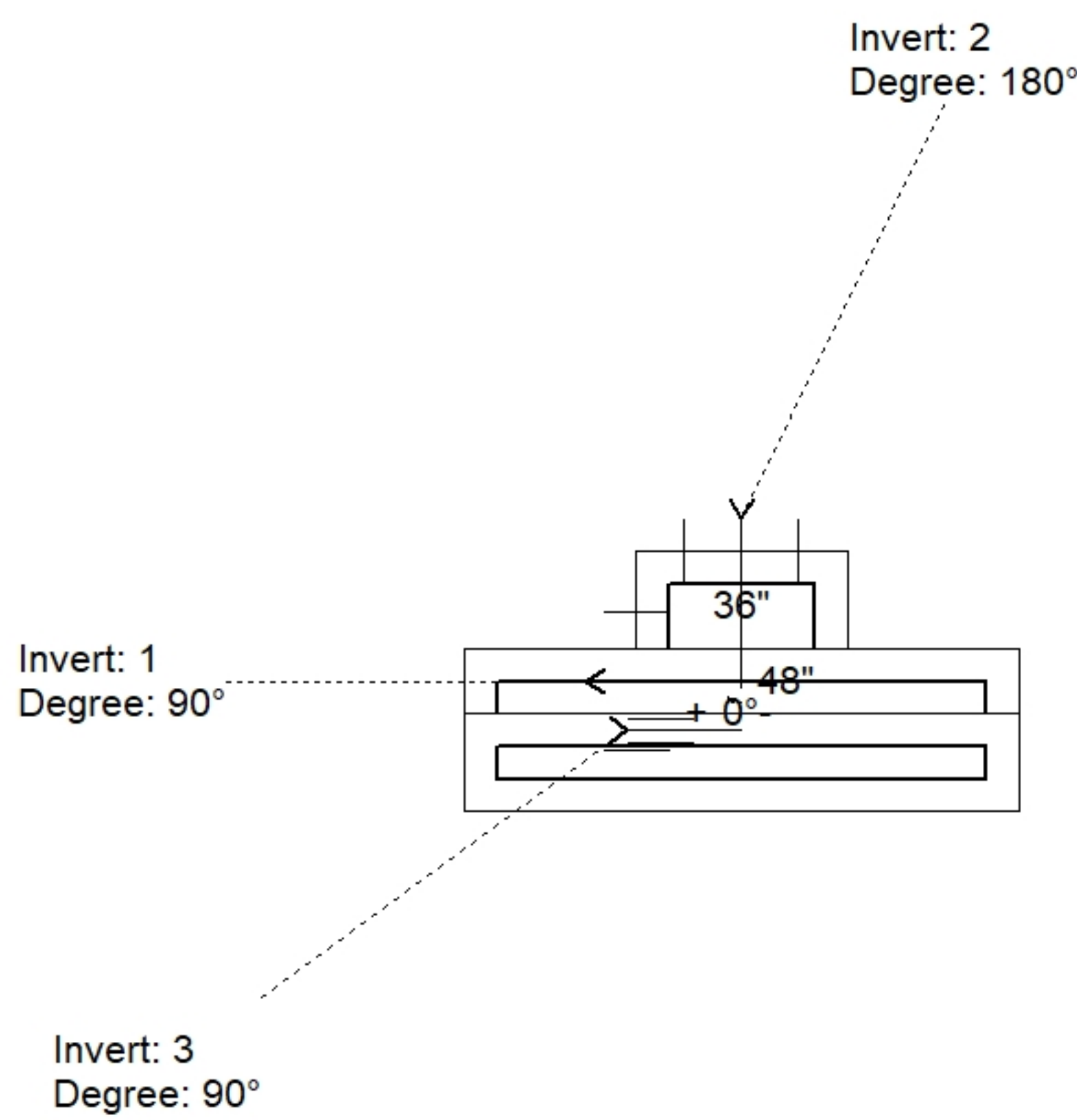
Floor (Bot): 414.773'  
 Overall Height: 9.417'  
 Slack: 0.36"

**Structure Notes:**

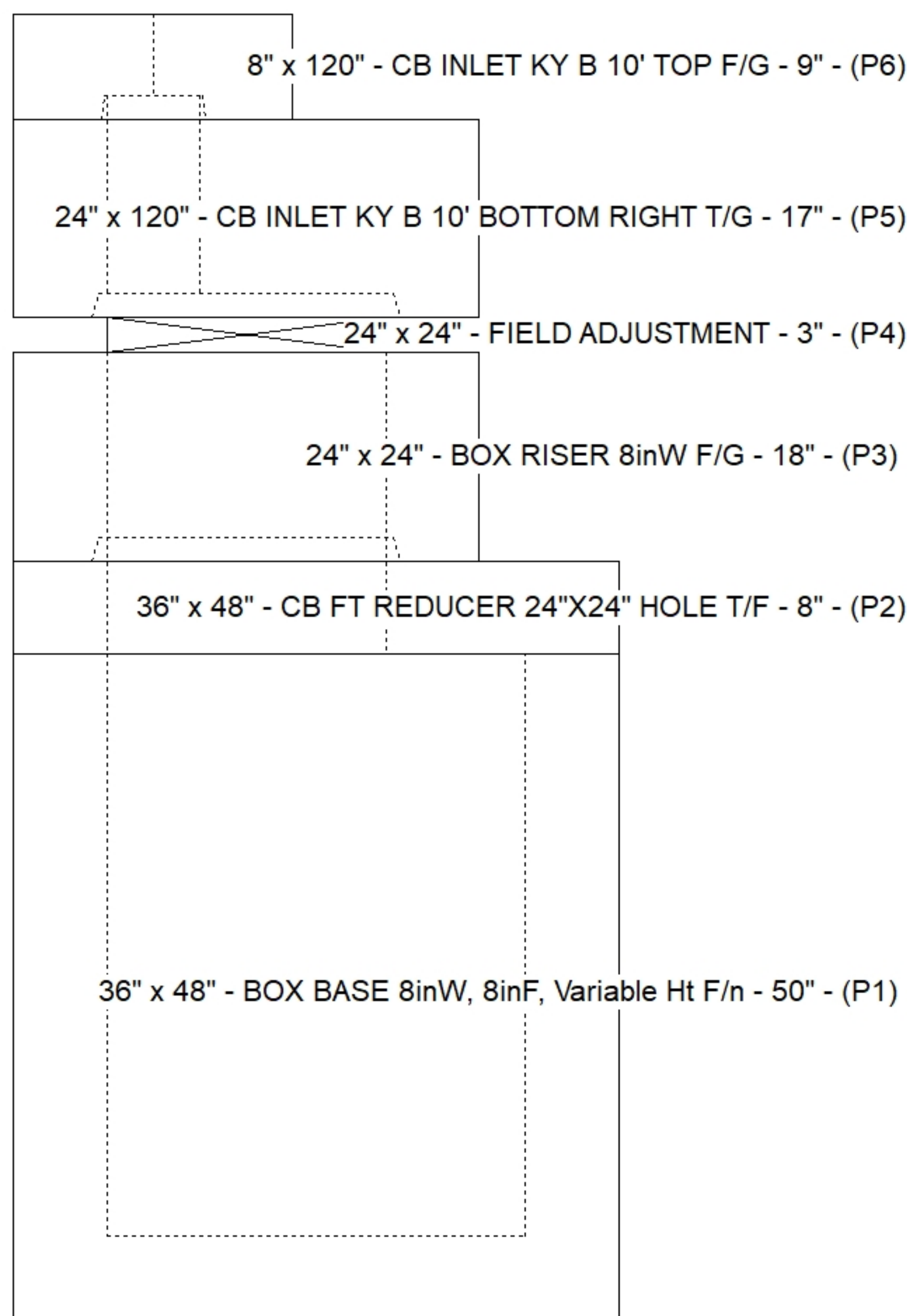
- \*\* KYTC STATE PROJECT \*\*
- PER KYTC CBI TYPE B / ASTM C913 SPEC'S.
  - CONCRETE = 4,000 PI AT 28 DAYS.
  - NO STEPS & NO INVERT CHANNEL.
  - CBI KY B F/G - BY OTHERS.
- REINFORCING PER ASTM A615 (GRADE 60).  
 - TOP PHASE (As .62) #5 BARS AT 6" C.C.E.W.  
 - TRANS SLAB (As .62) #5 BARS AT 6" C.C.E.W. (DBL MAT.)  
 - WALLS/FLOOR (As .31) #5 BARS AT 12" C.C.E.W.

**STRUCTURE SUMMARY:**

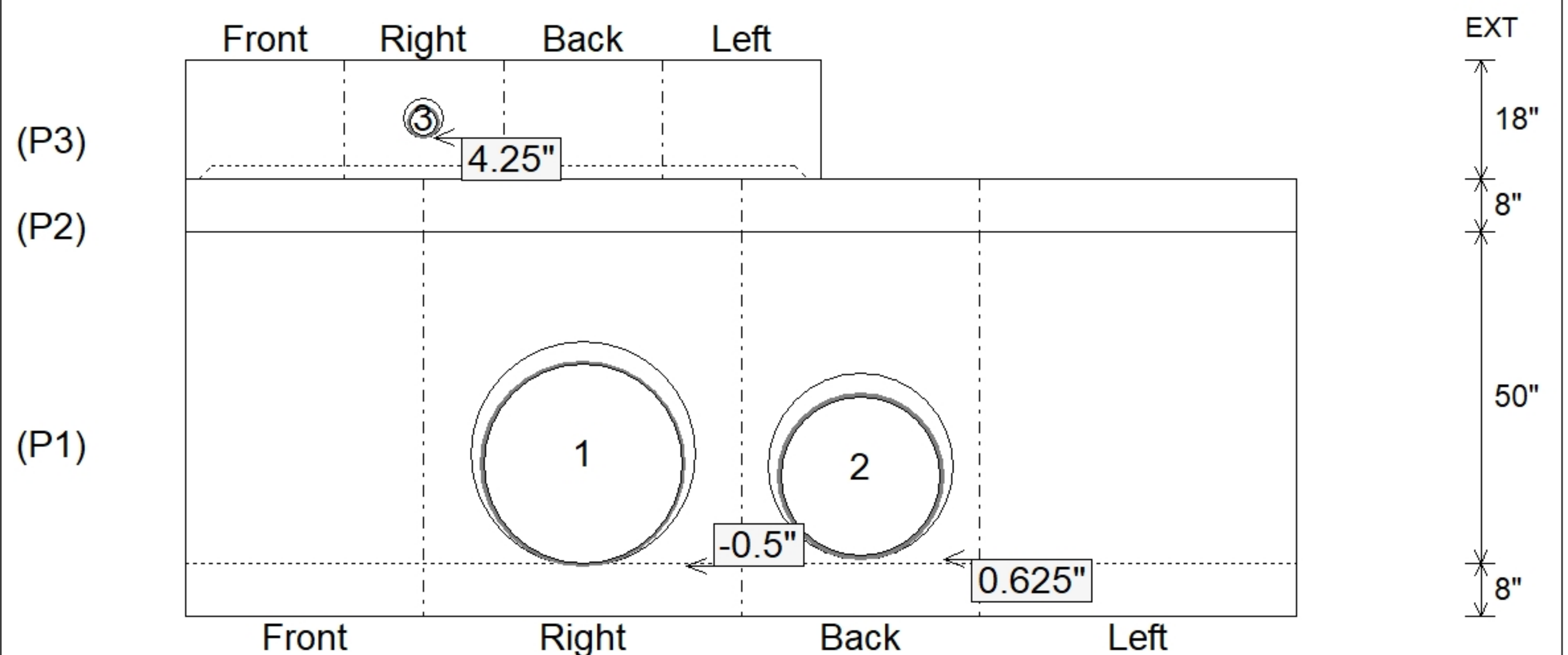
P6) 8" x 120" - CB INLET KY B 10' TOP F/G - 9"	1660 lb
P5) 24" x 120" - CB INLET KY B 10' BOTTOM RIGHT T/G - 17"	2650 lb
P4) 24" x 24" - FIELD ADJUSTMENT - 3"	0 lb
P3) 24" x 24" - BOX RISER 8inW F/G - 18"	1528 lb
P2) 36" x 48" - CB FT REDUCER 24"X24" HOLE T/F - 8"	1847 lb
P1) 36" x 48" - BOX BASE 8inW, 8inF, Variable Ht F/n - 50"	7924 lb
1) 36" x 48" - Conseal CS-102 1.00"	0 lb
2) 24" x 24" - Conseal CS-102 1.00"	0 lb
1) Hole - 34	0 lb
1) Hole - 28	0 lb
1) Hole - 6	0 lb
<b>Structure Total:</b>	<b>15609 lb</b>



Position	Elev	Angle	Pipe	Pipe OD	Hole	Connector	Up (")	Ref
Rim	424.22'							
Reducer	419.607'							
Invert 1	415.44'	90°	30" CMP	31"	34"	Hole 34	-0.5"	P1
Invert 2	415.53'	180°	24" CMP	25"	28"	Hole 28	0.625"	P1
Invert 3	420.83'	90°	4" HDPE (perf pipe)	4.8"	6"	Hole 6	4.25"	P3
Invert 4								
Invert 5								
Invert 6								
Invert 7								
Invert 8								



**Cast (Int. Dim.) - Interior Dimensions**



Submittal Drawing  
 1/8/2026 10:13:23 AM

SUBMITTAL  
 APPROVED BY: