

Structure ID: 092 (KY B 10ft)

P3 BX2424-08R18 BOX RISER 8inW F/G

P6) 8" x 120" - CB INLET KY B 10' TOP F/G - 9" P5) 24" x 120" - CB INLET KY B 10' BOTTOM RIGHT T/G - 17" P4) 24" x 24" - FIELD ADJUSTMENT - 3" P3) 24" x 24" - BOX RISER 8inW F/G - 18" P2) 36" x 48" - CB FT REDUCER 24"X24" HOLE T/F - 8" P1) 36" x 48" - BOX BASE 8inW, 8inF, Variable Ht F/n - 50" 1) 36" x 48" - Conseal CS-102 1.00" 2) 24" x 24" - Conseal CS-102 1.00" 1) Hole - 34 1) Hole - 28 1) Hole - 6	1660 lb 2650 lb 0 lb 1528 lb 1847 lb 7924 lb 0 lb 0 lb 0 lb 0 lb 0 lb 0 lb ----- Structure Total: 15609 lb
--	---

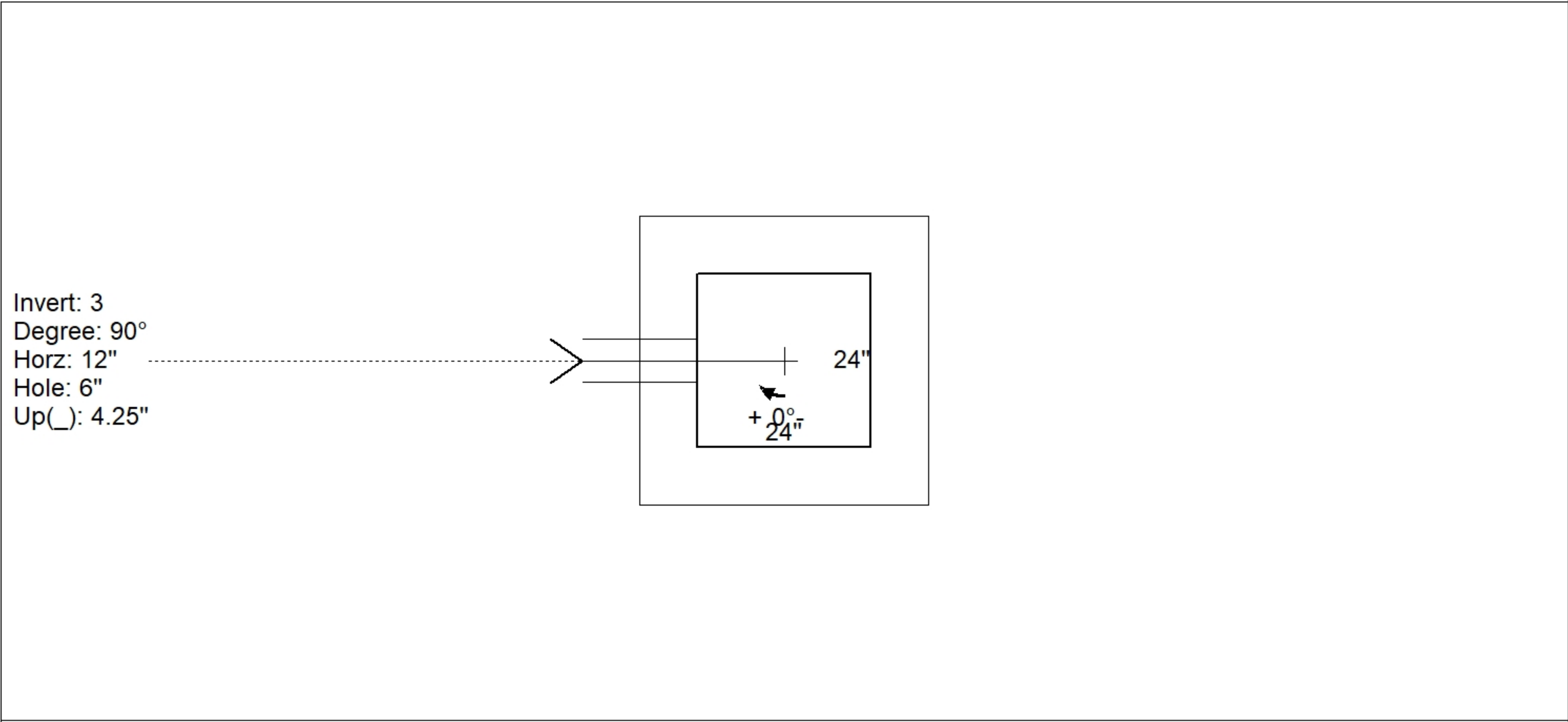
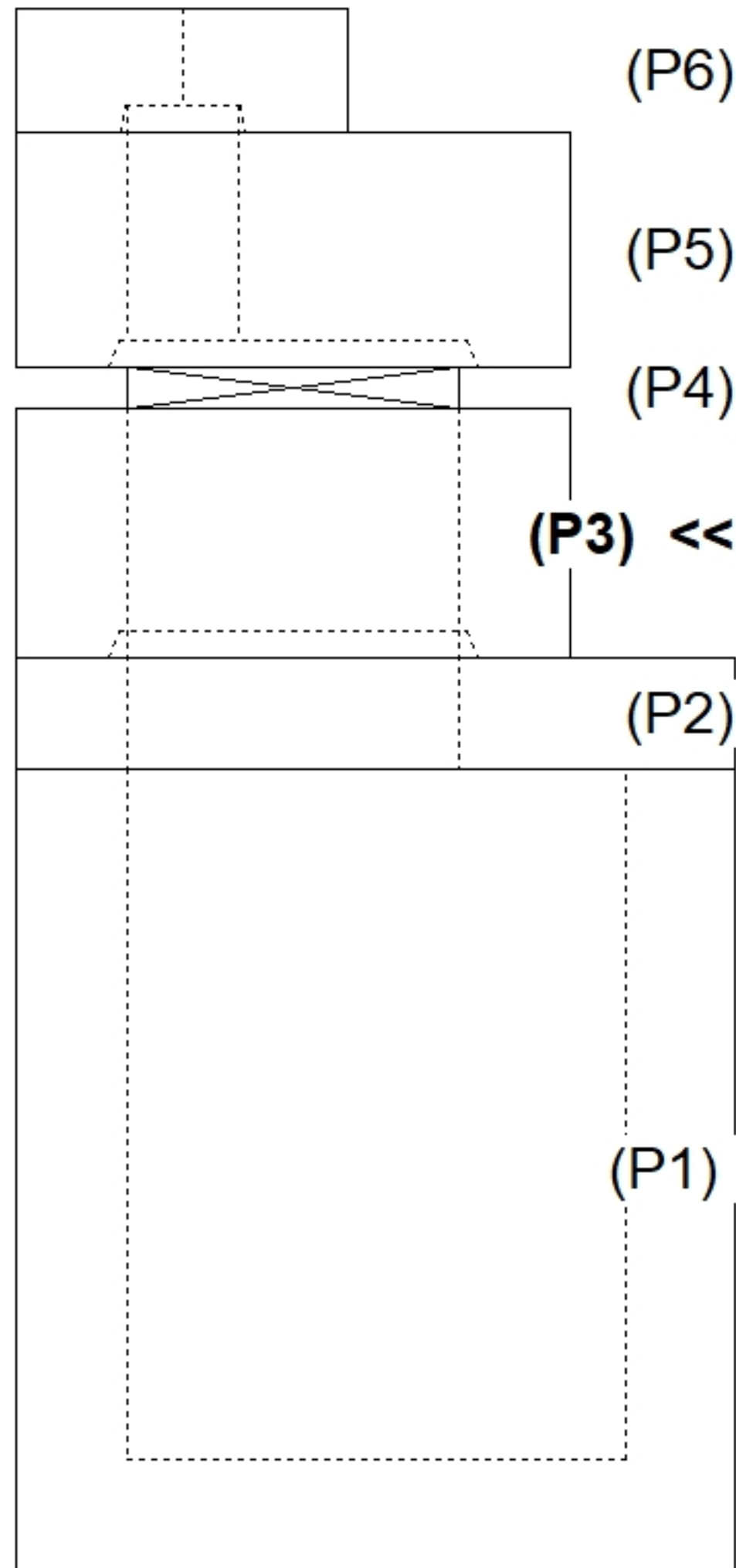
Structure Notes:
 ** KYTC STATE PROJECT **
 1. PER KYTC CBI TYPE B / ASTM C913 SPEC'S.
 2. CONCRETE = 4,000 PI AT 28 DAYS.
 3. NO STEPS & NO INVERT CHANNEL.
 5. CBI KY B F/G - BY OTHERS.

REINFORCING PER ASTM A615 (GRADE 60).
 - TOP PHASE (As .62) #5 BARS AT 6" C.C.E.W.
 - TRANS SLAB (As .62) #5 BARS AT 6" C.C.E.W. (DBL MAT.)
 - WALLS/FLOOR (As .31) #5 BARS AT 12" C.C.E.W.

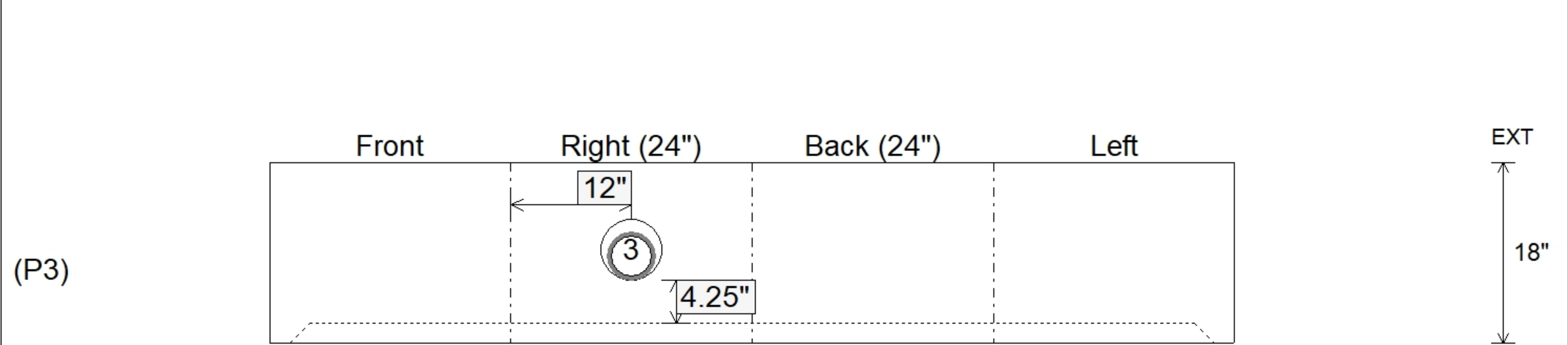
Rim: 424.22' Rim to Invert: 8.78' Slack: 0.36" Sump: 0" Step Position:

Position	Elev	Angle	Ext. (cw)	Pipe	Pipe OD	Connector	Hole	Horz Size	Up ()	Offset
Invert 1										
Invert 2										
Invert 3	420.83'	90°	20"	4" HDPE (perf pipe)	4.8"	Hole 6	6"	6"	4.25"	0"
Invert 4										
Invert 5										
Invert 6										
Invert 7										
Invert 8										

RIGHT-SIDE UP VIEW (int. dimensions)



INSIDE WALL DIMENSIONS



Coating (Int):	Seam Up: Flat Seam Dn: Groove	Wall Thickness: 8" Floor Height: 0"	Height (Int): 18" Height (Ext): 18"	Weight (Net): 1528 lb Volume (Net): 0.39cu.yd
----------------	----------------------------------	--	--	--