

**Structure ID: 092 (KY B 10ft)**

**P1 BX3648-08BAVF BOX BASE 8inW, 8inF, Variable Ht F/n**

P6) 8" x 120" - CB INLET KY B 10' TOP F/G - 9"	1660 lb
P5) 24" x 120" - CB INLET KY B 10' BOTTOM RIGHT T/G - 17"	2650 lb
P4) 24" x 24" - FIELD ADJUSTMENT - 3"	0 lb
P3) 24" x 24" - BOX RISER 8inW F/G - 18"	1528 lb
P2) 36" x 48" - CB FT REDUCER 24"X24" HOLE T/F - 8"	1847 lb
P1) 36" x 48" - BOX BASE 8inW, 8inF, Variable Ht F/n - 50"	7924 lb
1) 36" x 48" - Conseal CS-102 1.00"	0 lb
2) 24" x 24" - Conseal CS-102 1.00"	0 lb
1) Hole - 34	0 lb
1) Hole - 28	0 lb
1) Hole - 6	0 lb
<b>Structure Total:</b>	<b>15609 lb</b>

**Structure Notes:**  
 \*\* KYTC STATE PROJECT \*\*  
 1. PER KYTC CBI TYPE B / ASTM C913 SPEC'S.  
 2. CONCRETE = 4,000 PI AT 28 DAYS.  
 3. NO STEPS & NO INVERT CHANNEL.  
 5. CBI KY B F/G - BY OTHERS.

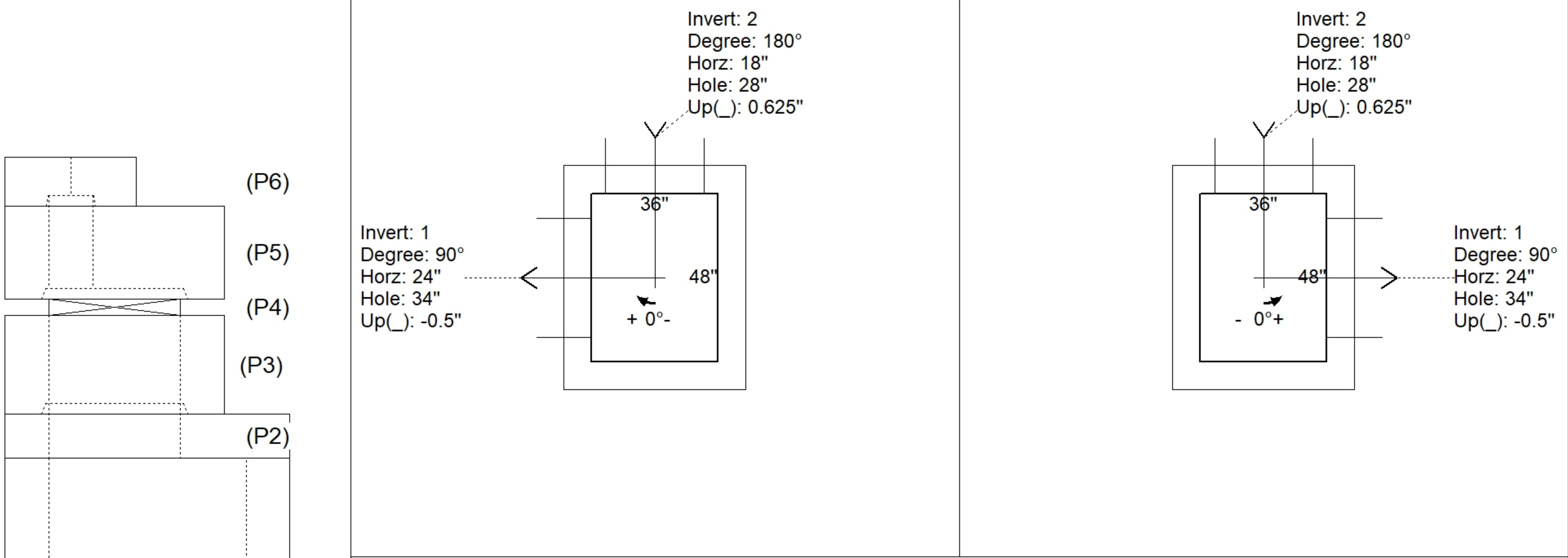
REINFORCING PER ASTM A615 (GRADE 60).  
 - TOP PHASE (As .62) #5 BARS AT 6" C.C.E.W.  
 - TRANS SLAB (As .62) #5 BARS AT 6" C.C.E.W. (DBL MAT.)  
 - WALLS/FLOOR (As .31) #5 BARS AT 12" C.C.E.W.

Rim: 424.22'    Rim to Invert: 8.78'    Slack: 0.36"    Sump: 0"    Step Position:

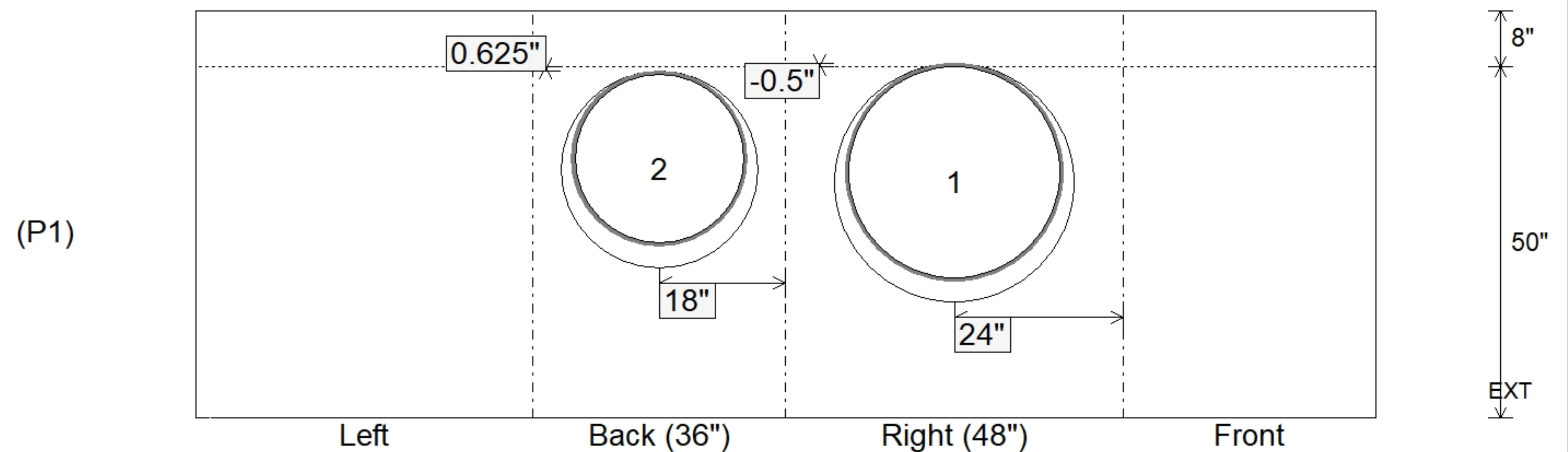
Position	Elev	Angle	Ext. (cw)	Pipe	Pipe OD	Connector	Hole	Horz Size	Up ( )	Offset
Invert 1	415.44'	90°	32"	30" CMP	31"	Hole 34	34"	34"	-0.5"	0"
Invert 2	415.53'	180°	26"	24" CMP	25"	Hole 28	28"	28"	0.625"	0"
Invert 3										
Invert 4										
Invert 5										
Invert 6										
Invert 7										
Invert 8										

**RIGHT-SIDE UP VIEW (int. dimensions)**

**UPSIDE-DOWN VIEW (int. dimensions)**



**INSIDE WALL DIMENSIONS**



Coating (Int): Coating (Ext):	Seam Up: Flat Seam Dn: n/a	Wall Thickness: 8" Floor Height: 8"	Height (Int): 50" Height (Ext): 58"	Weight (Net): 7924 lb Volume (Net): 2.02cu.yd
----------------------------------	-------------------------------	--	--	--