

Job Name: 23-1914 - KYTC Daviess County ID 231032
Job Location: Owensboro, KY 42701
Contractor: Mick-Murf Construction Inc.

PC: C. Goff
 TECH: J. Horsley
 Plant: 100



Structure ID: **089 (KY B 10ft)**
 Spec: KYTC
 Type: CBI TYPE B (10') private
 Size: 36" x 48"

Rim: 424.73'
 Invert: 414.6'
 Rim to Invert: 10.13'

Sump: 0"
 Floor (Top): 414.6'
 Floor Height: 8"

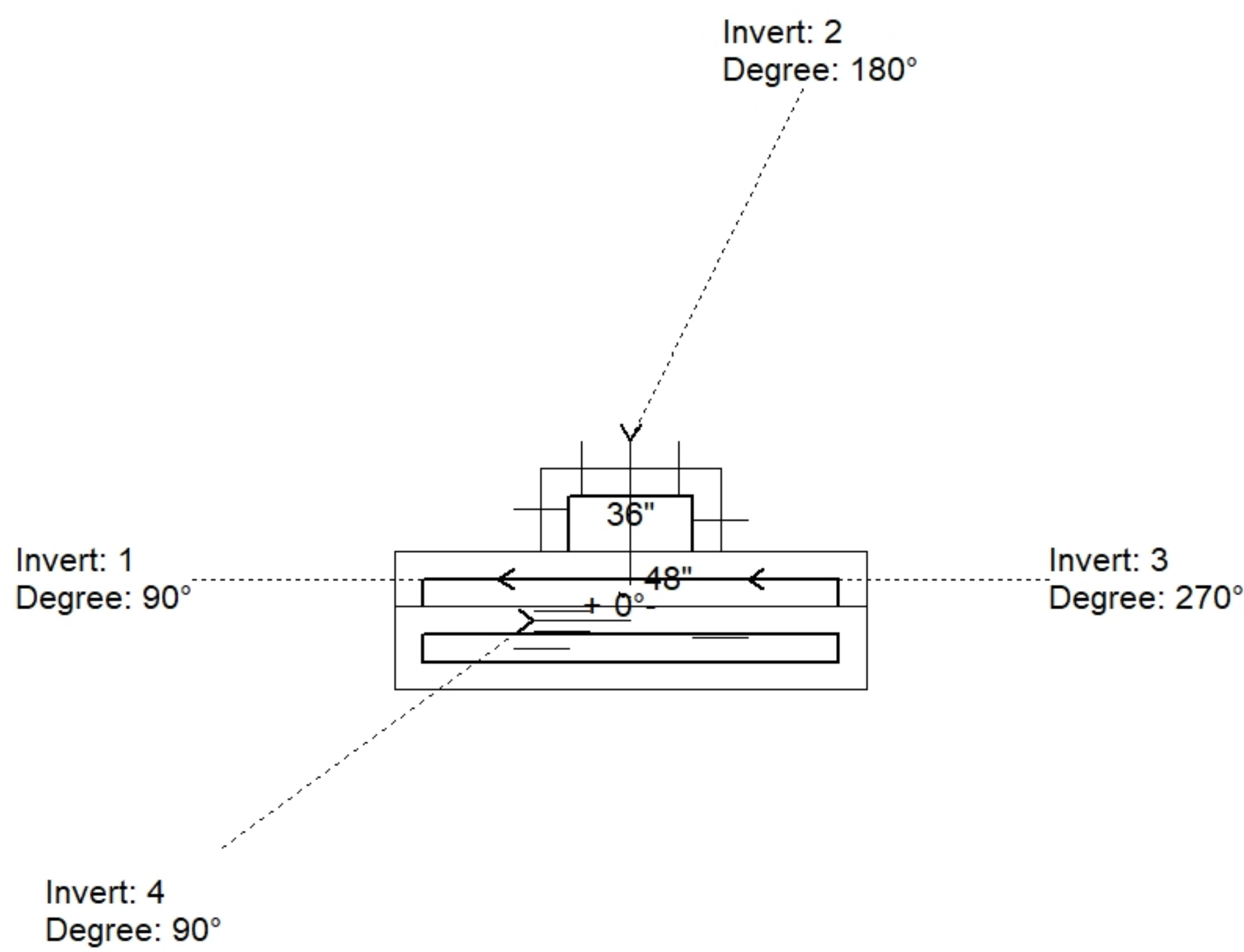
Floor (Bot): 413.933'
 Overall Height: 10.75'
 Slack: 0.56"

Structure Notes:

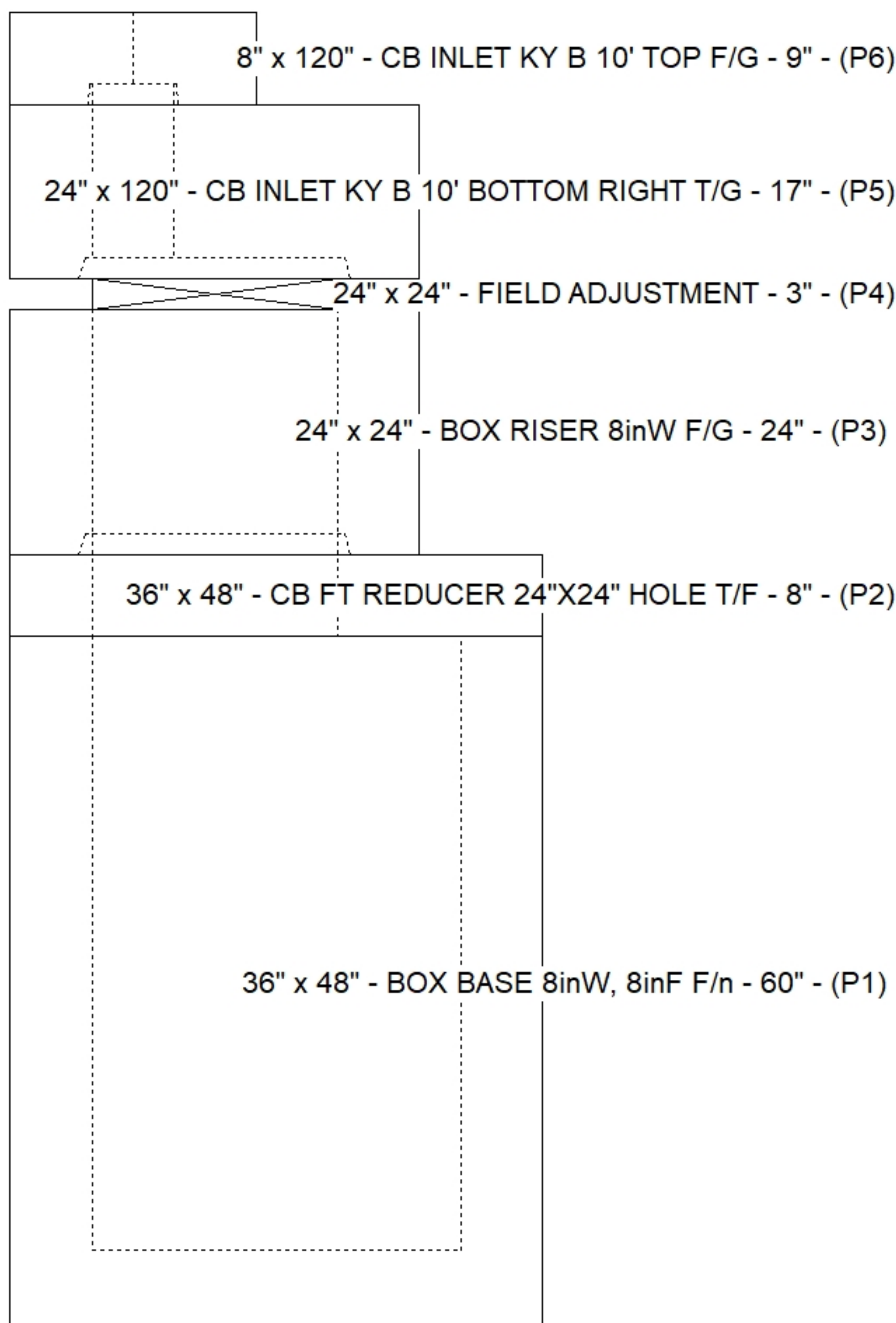
- ** KYTC STATE PROJECT **
- PER KYTC CBI TYPE B / ASTM C913 SPEC'S.
 - CONCRETE = 4,000 PI AT 28 DAYS.
 - NO STEPS & NO INVERT CHANNEL.
 - CBI KY B F/G - BY OTHERS.
- REINFORCING PER ASTM A615 (GRADE 60).
 - TOP PHASE (As .62) #5 BARS AT 6" C.C.E.W.
 - TRANS SLAB (As .62) #5 BARS AT 6" C.C.E.W. (DBL MAT.)
 - WALLS/FLOOR (As .31) #5 BARS AT 12" C.C.E.W.

STRUCTURE SUMMARY:

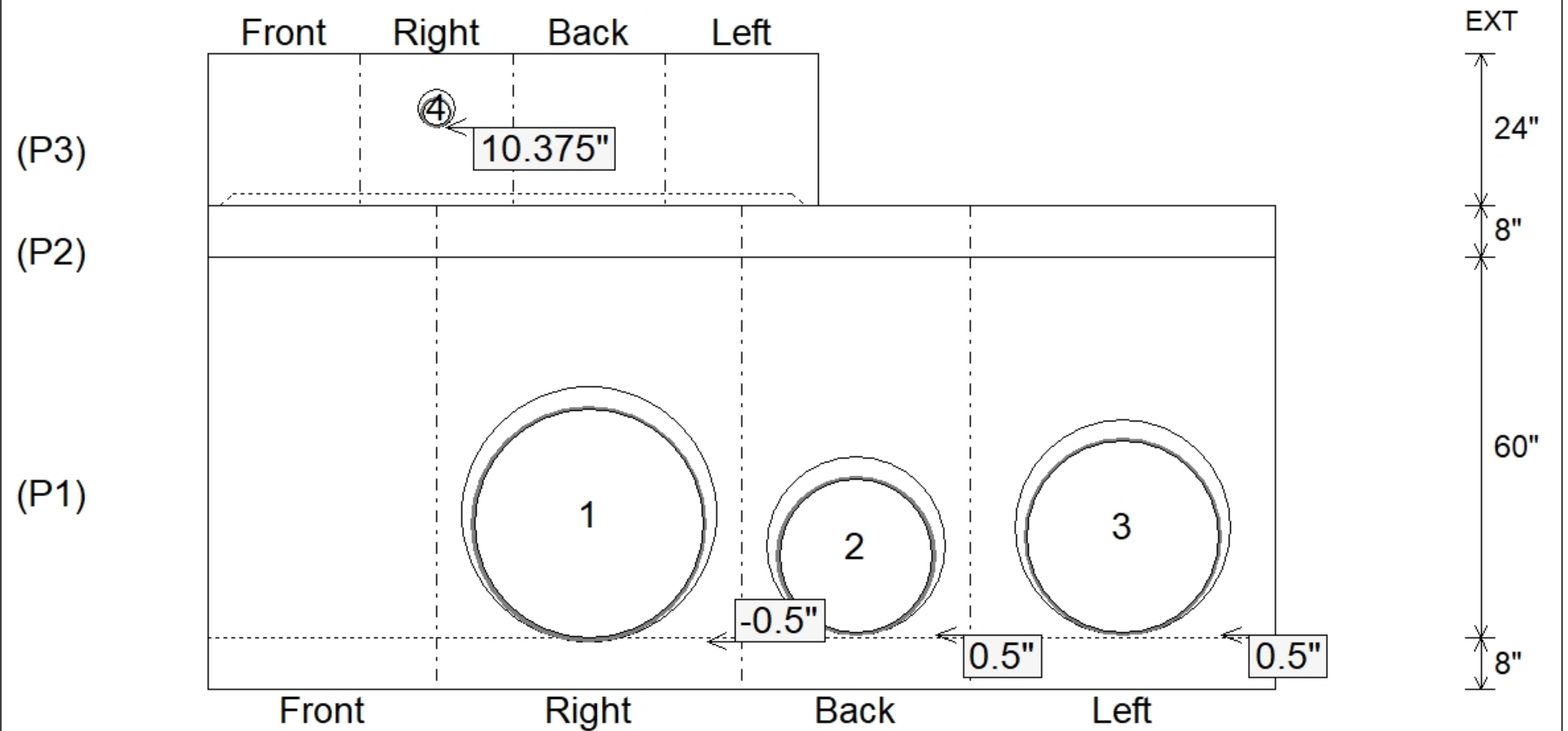
P6) 8" x 120" - CB INLET KY B 10' TOP F/G - 9"	1660 lb
P5) 24" x 120" - CB INLET KY B 10' BOTTOM RIGHT T/G - 17"	2650 lb
P4) 24" x 24" - FIELD ADJUSTMENT - 3"	0 lb
P3) 24" x 24" - BOX RISER 8inW F/G - 24"	2043 lb
P2) 36" x 48" - CB FT REDUCER 24"X24" HOLE T/F - 8"	1847 lb
P1) 36" x 48" - BOX BASE 8inW, 8inF F/n - 60"	8423 lb
1) 36" x 48" - Conseal CS-102 1.00"	0 lb
2) 24" x 24" - Conseal CS-102 1.00"	0 lb
1) Hole - 40	0 lb
1) Hole - 28	0 lb
1) Hole - 34	0 lb
1) Hole - 6	0 lb
Structure Total:	16624 lb



Position	Elev	Angle	Pipe	Pipe OD	Hole	Connector	Up (")	Ref
Rim	424.73'							
Reducer	419.6'							
Invert 1	414.6'	90°	36" CMP	37"	40"	Hole 40	-0.5"	P1
Invert 2	414.68'	180°	24" CMP	25"	28"	Hole 28	0.5"	P1
Invert 3	414.68'	270°	30" CMP	31"	34"	Hole 34	0.5"	P1
Invert 4	421.33'	90°	4" HDPE (perf pipe)	4.8"	6"	Hole 6	10.375"	P3
Invert 5								
Invert 6								
Invert 7								
Invert 8								



Cast (Int. Dim.) - Interior Dimensions



Submittal Drawing
 1/13/2026 8:32:53 AM

SUBMITTAL
 APPROVED BY: