

**Job Name: 23-1914 - KYTC Daviess County ID 231032**  
**Job Location: Owensboro, KY 42701**  
**Contractor: Mick-Murf Construction Inc.**

PC: C. Goff  
 TECH: J. Horsley  
 Plant: 100



Structure ID: 087B (KY B 10ft)

Spec: KYTC  
 Type: CBI TYPE B (10') private  
 Size: 36" x 60"

Rim: 424.95'  
 Invert: 413.71'  
 Rim to Invert: 11.24'

Sump: 0"  
 Floor (Top): 413.71'  
 Floor Height: 8"

Floor (Bot): 413.043'  
 Overall Height: 11.917'  
 Slack: -0.12"

**Structure Notes:**

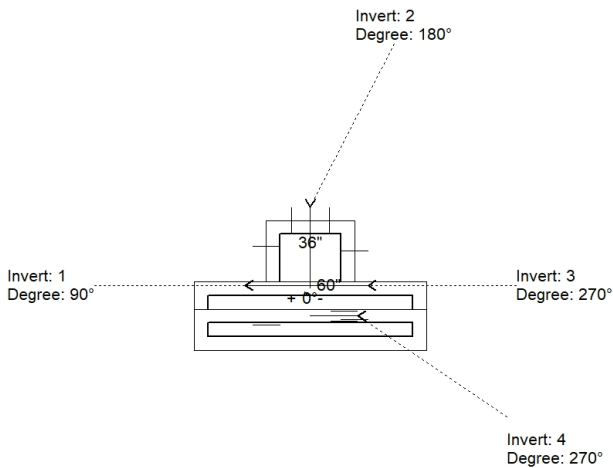
- \*\* KYTC STATE PROJECT \*\*  
 1. PER KYTC CBI TYPE B / ASTM C913 SPEC'S.  
 2. CONCRETE = 4,000 PI AT 28 DAYS.  
 3. NO STEPS & NO INVERT CHANNEL.  
 5. CBI KY B F/G - BY OTHERS.

REINFORCING PER ASTM A615 (GRADE 60).  
 - TOP PHASE (As .62) #5 BARS AT 6" C.C.E.W.  
 - TRANS SLAB (As .62) #5 BARS AT 6" C.C.E.W. (DBL MAT.)  
 - WALLS/FLOOR (As .31) #5 BARS AT 12" C.C.E.W.

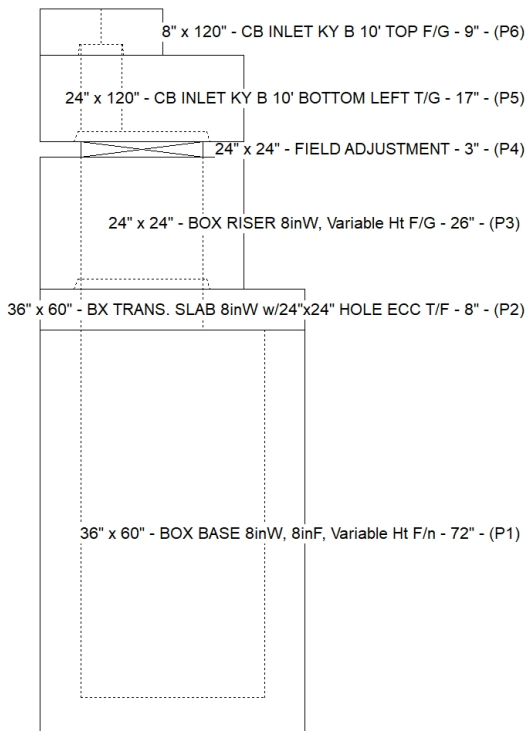
**STRUCTURE SUMMARY:**

- P6) 8" x 120" - CB INLET KY B 10' TOP F/G - 9" 1660 lb
- P5) 24" x 120" - CB INLET KY B 10' BOTTOM LEFT T/G - 17" 2650 lb
- P4) 24" x 24" - FIELD ADJUSTMENT - 3" 0 lb
- P3) 24" x 24" - BOX RISER 8inW, Variable Ht F/G - 26" 2215 lb
- P2) 36" x 60" - BX TRANS. SLAB 8inW w/24"x24" HOLE ECC T/F - 8" 2266 lb
- P1) 36" x 60" - BOX BASE 8inW, 8inF, Variable Ht F/n - 72" 11265 lb
- 1) 36" x 60" - Conseal CS-102 1.00" 0 lb
- 2) 24" x 24" - Conseal CS-102 1.00" 0 lb
- 1) Hole - 46 0 lb
- 1) Hole - 22 0 lb
- 1) Hole - 40 0 lb
- 1) Hole - 6 0 lb

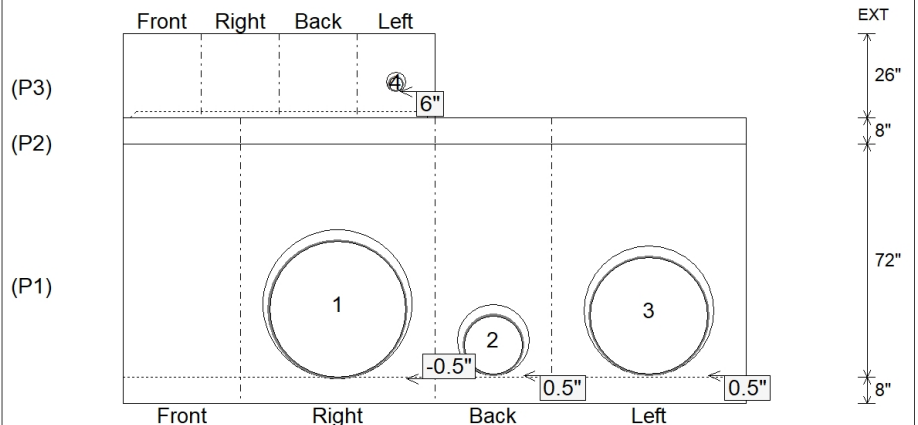
Structure Total: 20057 lb



Position	Elev	Angle	Pipe	Pipe OD	Hole	Connector	Up (L)	Ref
Rim	424.95'							
Reducer	419.71'							
Invert 1	413.71'	90°	42" CMP	43"	46"	Hole 46	-0.5"	P1
Invert 2	413.79'	180°	18" CMP	19"	22"	Hole 22	0.5"	P1
Invert 3	413.79'	270°	36" CMP	37"	40"	Hole 40	0.5"	P1
Invert 4	421.08'	270°	4" HDPE (perf pipe)	4.8"	6"	Hole 6	6"	P3
Invert 5								
Invert 6								
Invert 7								
Invert 8								



**Cast (Int. Dim.) - Interior Dimensions**



Submittal Drawing  
 1/13/2026 11:48:42 AM

SUBMITTAL  
 APPROVED BY: