

**Job Name: 23-1914 - KYTC Daviess County ID 231032**  
**Job Location: Owensboro, KY 42701**  
**Contractor: Mick-Murf Construction Inc.**

PC: C. Goff  
 TECH: J. Horsley  
 Plant: 100



Structure ID: **087 (KY B 10ft)**  
 Spec: KYTC  
 Type: CBI TYPE B (10') private  
 Size: 60" x 60"

Rim: 424.69'      Sump: 0"  
 Invert: 413.06'      Floor (Top): 413.06'  
 Rim to Invert: 11.63'      Floor Height: 8"  
 Floor (Bot): 412.393'  
 Overall Height: 12.25'  
 Slack: 0.56"

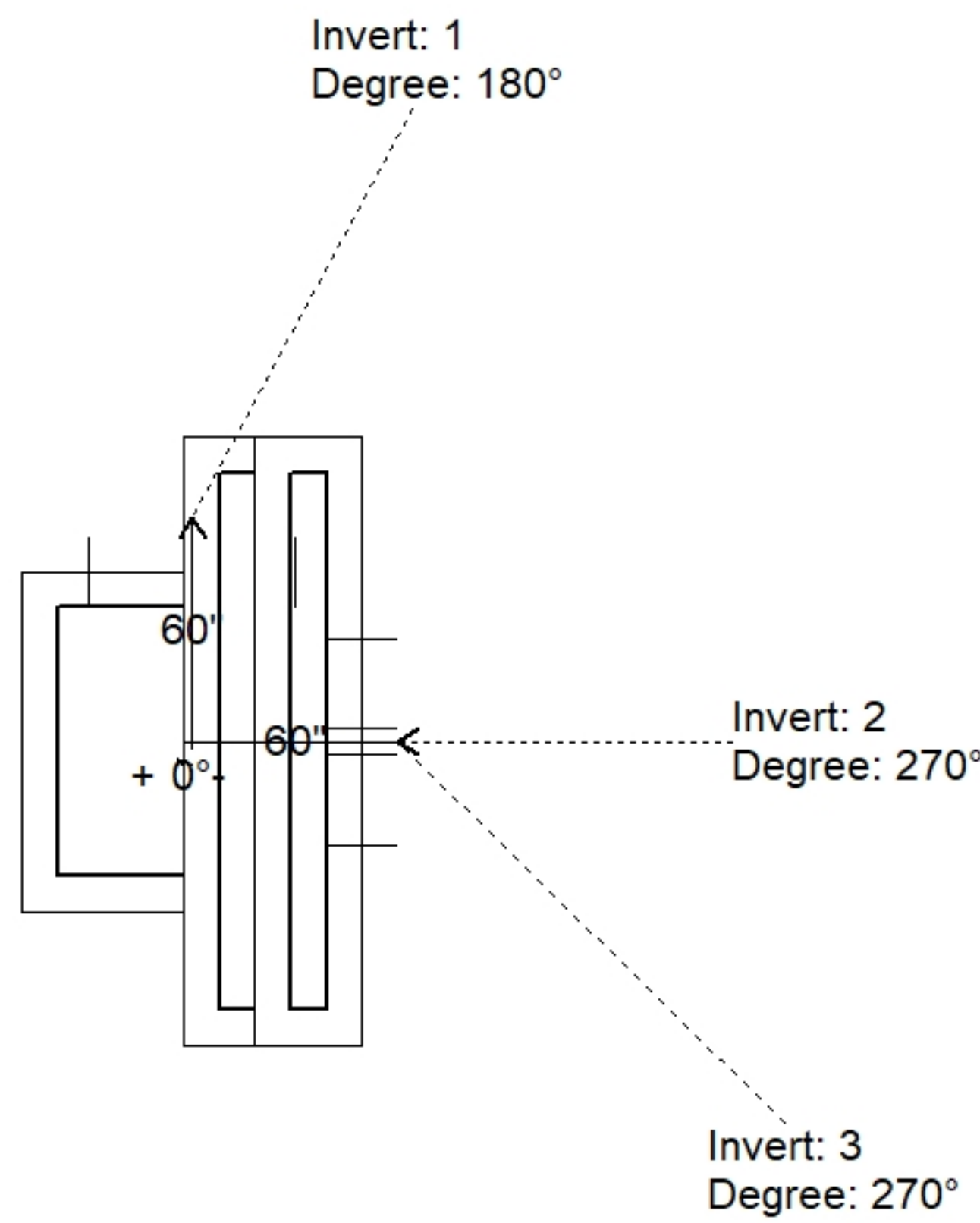
**Structure Notes:**

- \*\* KYTC STATE PROJECT \*\*
1. PER KYTC CBI TYPE B / ASTM C913 SPEC'S.
  2. CONCRETE = 4,000 PI AT 28 DAYS.
  3. NO STEPS & NO INVERT CHANNEL.
  5. CBI KY B F/G - BY OTHERS.

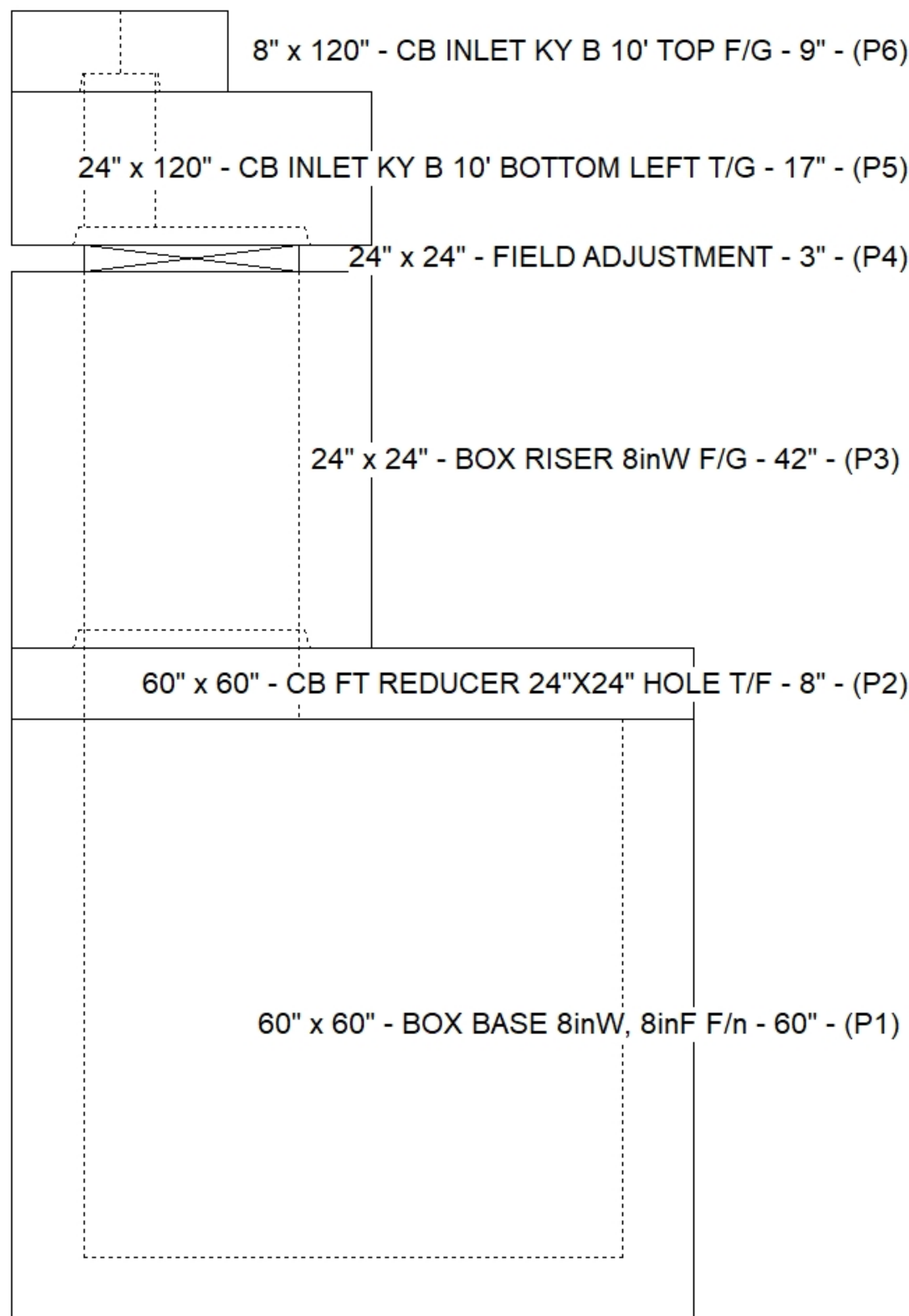
REINFORCING PER ASTM A615 (GRADE 60).  
 - TOP PHASE (As .62) #5 BARS AT 6" C.C.E.W.  
 - WALLS/FLOOR (As .31) #5 BARS AT 6" C.C.E.W.

**STRUCTURE SUMMARY:**

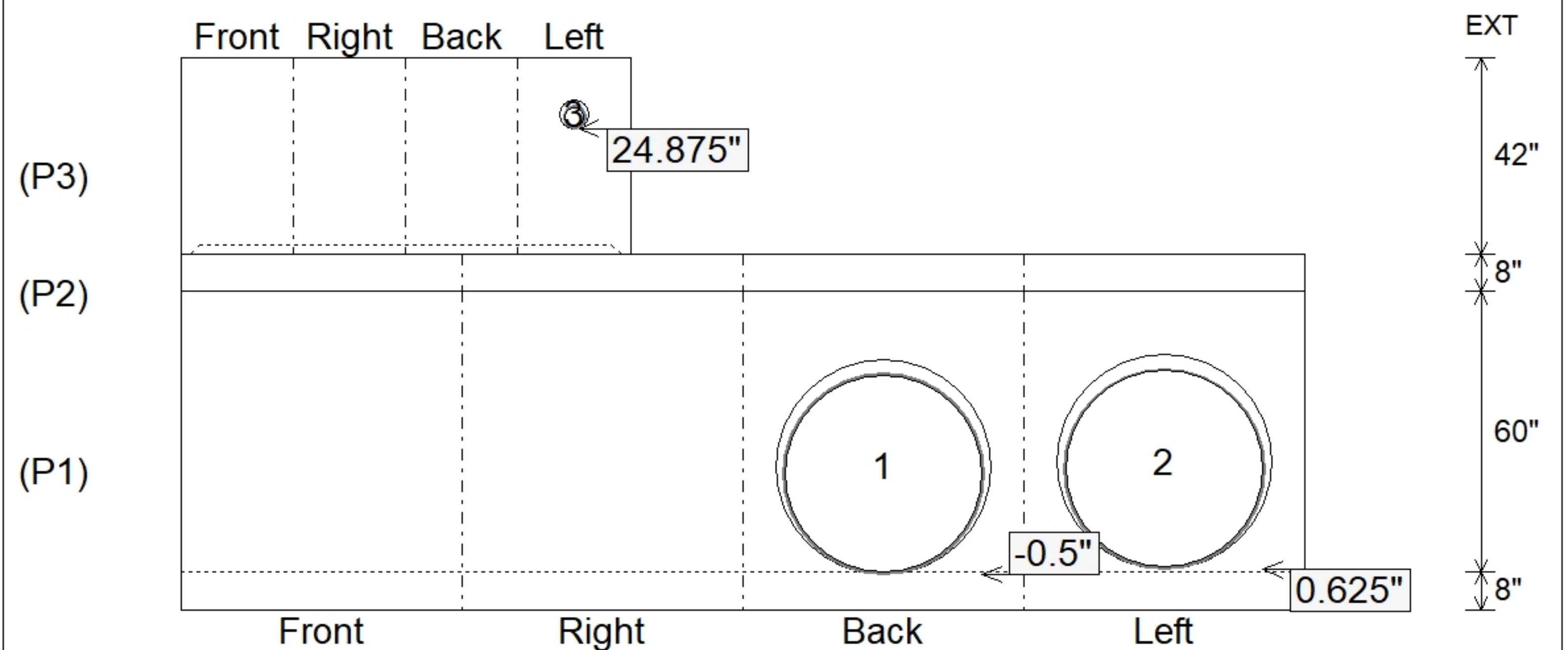
P6) 8" x 120" - CB INLET KY B 10' TOP F/G - 9"	1660 lb
P5) 24" x 120" - CB INLET KY B 10' BOTTOM LEFT T/G - 17"	2650 lb
P4) 24" x 24" - FIELD ADJUSTMENT - 3"	0 lb
P3) 24" x 24" - BOX RISER 8inW F/G - 42"	3590 lb
P2) 60" x 60" - CB FT REDUCER 24"X24" HOLE T/F - 8"	3491 lb
P1) 60" x 60" - BOX BASE 8inW, 8inF F/n - 60"	12602 lb
1) 60" x 60" - Conseal CS-102 1.00"	0 lb
2) 24" x 24" - Conseal CS-102 1.00"	0 lb
2) Hole - 46	0 lb
1) Hole - 6	0 lb
<b>Structure Total:</b>	<b>23993 lb</b>



Position	Elev	Angle	Pipe	Pipe OD	Hole	Connector	Up (")	Ref
Rim	424.69'							
Reducer	418.06'							
Invert 1	413.06'	180°	42" CMP	43"	46"	Hole 46	-0.5"	P1
Invert 2	413.15'	270°	42" CMP	43"	46"	Hole 46	0.625"	P1
Invert 3	421'	270°	4" HDPE (perf pipe)	4.8"	6"	Hole 6	24.875"	P3
Invert 4								
Invert 5								
Invert 6								
Invert 7								
Invert 8								



**Cast (Int. Dim.) - Interior Dimensions**



Submittal Drawing  
 1/14/2026 12:51:47 PM

SUBMITTAL  
 APPROVED BY: