

**Job Name: 23-1914 - KYTC Daviess County ID 231032**  
**Job Location: Owensboro, KY 42701**  
**Contractor: Mick-Murf Construction Inc.**

PC: C. Goff  
 TECH: J. Horsley  
 Plant: 100



Structure ID: **082 (KY B 10ft)**  
 Spec: KYTC  
 Type: CBI TYPE B (10') private  
 Size: 24" x 24"

Rim: 424.06'  
 Invert: 419.08'  
 Rim to Invert: 4.98'

Sump: 0"  
 Floor (Top): 419.08'  
 Floor Height: 8"

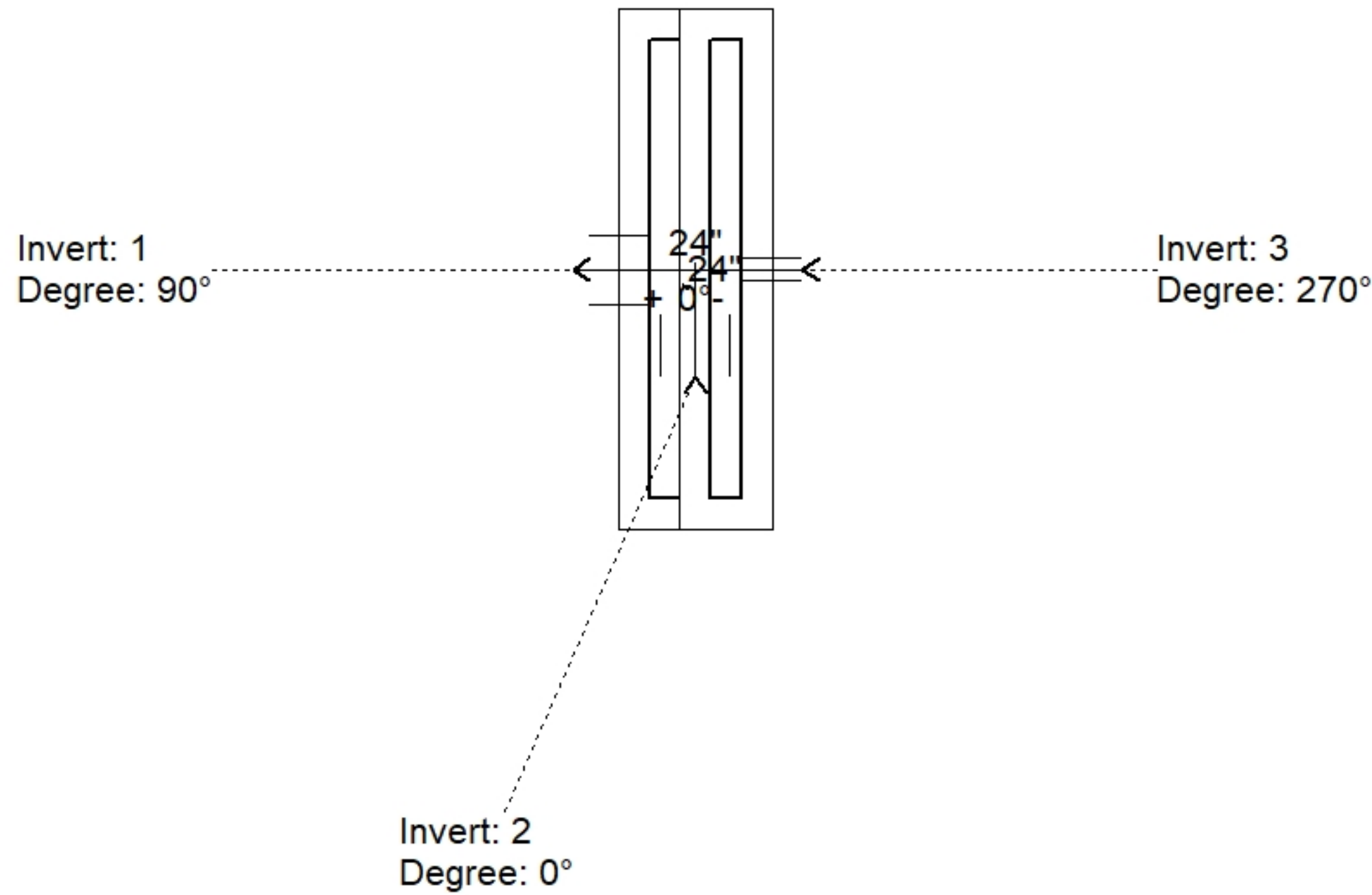
Floor (Bot): 418.413'  
 Overall Height: 5.583'  
 Slack: 0.76"

**Structure Notes:**

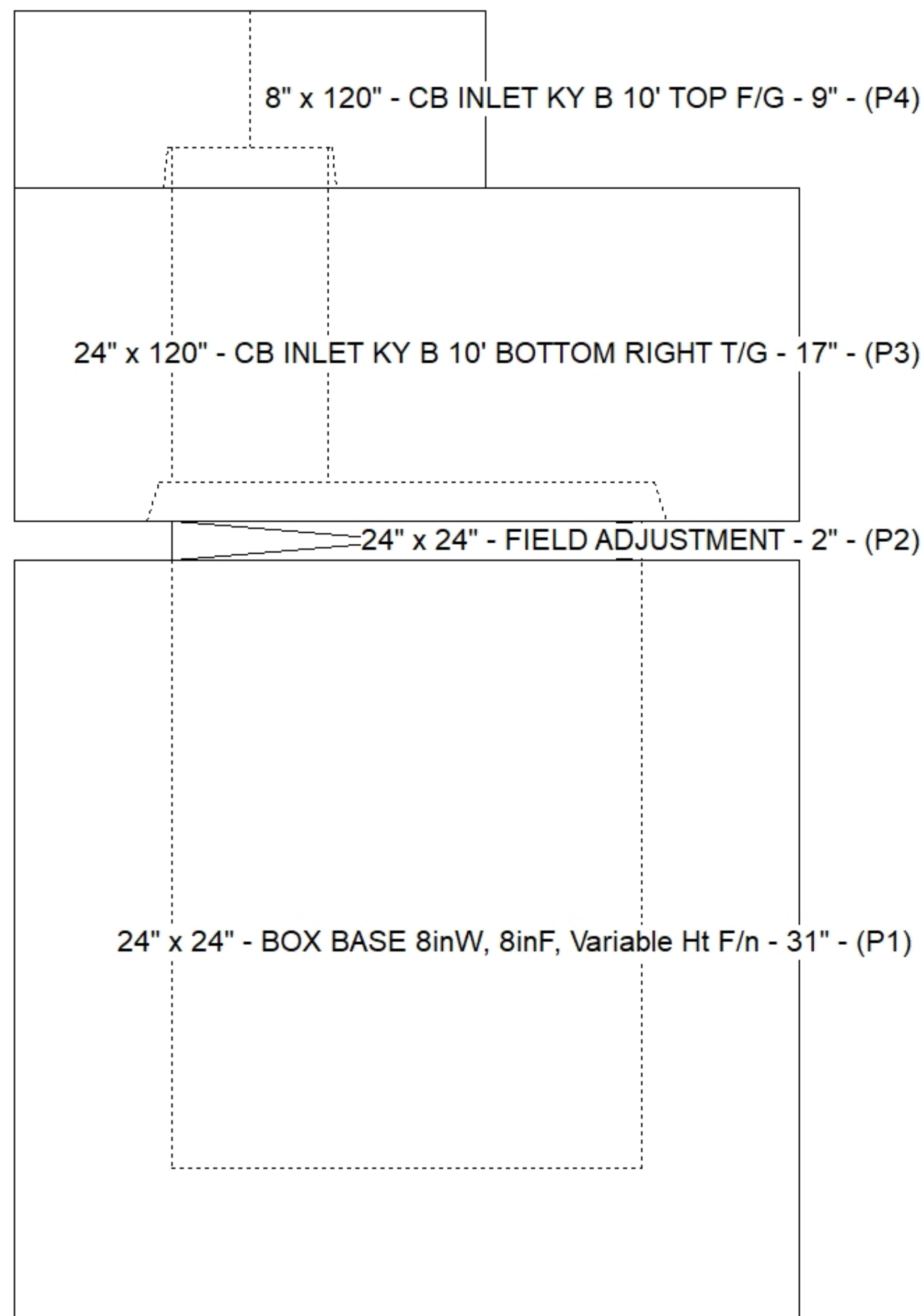
- \*\* KYTC STATE PROJECT \*\***
- PER KYTC CBI TYPE B / ASTM C913 SPEC'S.
  - CONCRETE = 4,000 PI AT 28 DAYS.
  - NO STEPS & NO INVERT CHANNEL.
  - CBI KY B F/G - BY OTHERS.
- REINFORCING PER ASTM A615 (GRADE 60).  
 - TOP PHASE (As .62) #5 BARS AT 6" C.C.E.W.  
 - WALLS/FLOOR (As .31) #5 BARS AT 12" C.C.E.W.

**STRUCTURE SUMMARY:**

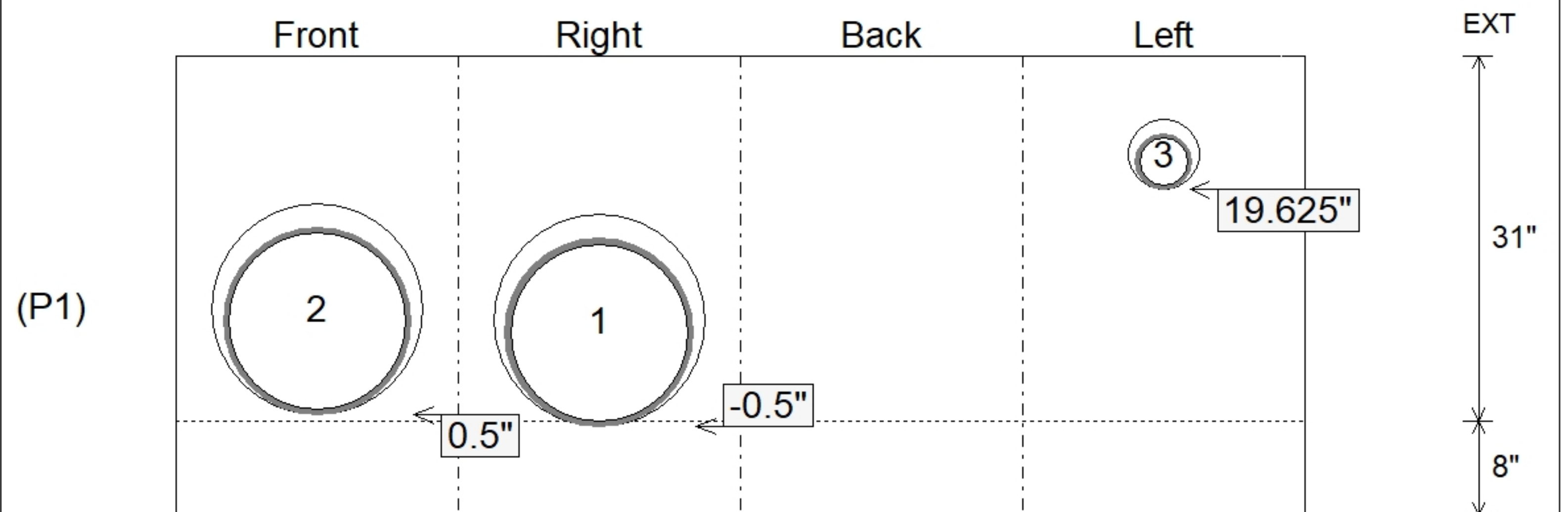
P4) 8" x 120" - CB INLET KY B 10' TOP F/G - 9"	1660 lb
P3) 24" x 120" - CB INLET KY B 10' BOTTOM RIGHT T/G - 17"	2650 lb
P2) 24" x 24" - FIELD ADJUSTMENT - 2"	0 lb
P1) 24" x 24" - BOX BASE 8inW, 8inF, Variable Ht F/n - 31"	3377 lb
1) 24" x 24" - Conseal CS-102 1.00"	0 lb
2) Hole - 18	0 lb
1) Hole - 6	0 lb
<b>Structure Total:</b>	<b>7687 lb</b>



Position	Elev	Angle	Pipe	Pipe OD	Hole	Connector	Up (")	Ref
Rim	424.06'							
Reducer								
Invert 1	419.08'	90°	15" CMP	16"	18"	Hole 18	-0.5"	P1
Invert 2	419.16'	0°	15" CMP	16"	18"	Hole 18	0.5"	P1
Invert 3	420.75'	270°	4" HDPE (perf pipe)	4.8"	6"	Hole 6	19.625"	P1
Invert 4								
Invert 5								
Invert 6								
Invert 7								
Invert 8								



**Cast (Int. Dim.) - Interior Dimensions**



Submittal Drawing  
 1/8/2026 10:13:18 AM

SUBMITTAL  
 APPROVED BY: