

**Structure ID: 082 (KY B 10ft)**

**P1 BX2424-08BAVF**

**BOX BASE 8inW, 8inF, Variable Ht F/n**

P4) 8" x 120" - CB INLET KY B 10' TOP F/G - 9" P3) 24" x 120" - CB INLET KY B 10' BOTTOM RIGHT T/G - 17" P2) 24" x 24" - FIELD ADJUSTMENT - 2" P1) 24" x 24" - BOX BASE 8inW, 8inF, Variable Ht F/n - 31" 1) 24" x 24" - Conseal CS-102 1.00" 2) Hole - 18 1) Hole - 6	1660 lb 2650 lb 0 lb 3377 lb 0 lb 0 lb 0 lb ----- Structure Total: 7687 lb
--	--

**Structure Notes:**  
 \*\* KYTC STATE PROJECT \*\*  
 1. PER KYTC CBI TYPE B / ASTM C913 SPEC'S.  
 2. CONCRETE = 4,000 PI AT 28 DAYS.  
 3. NO STEPS & NO INVERT CHANNEL.  
 5. CBI KY B F/G - BY OTHERS.

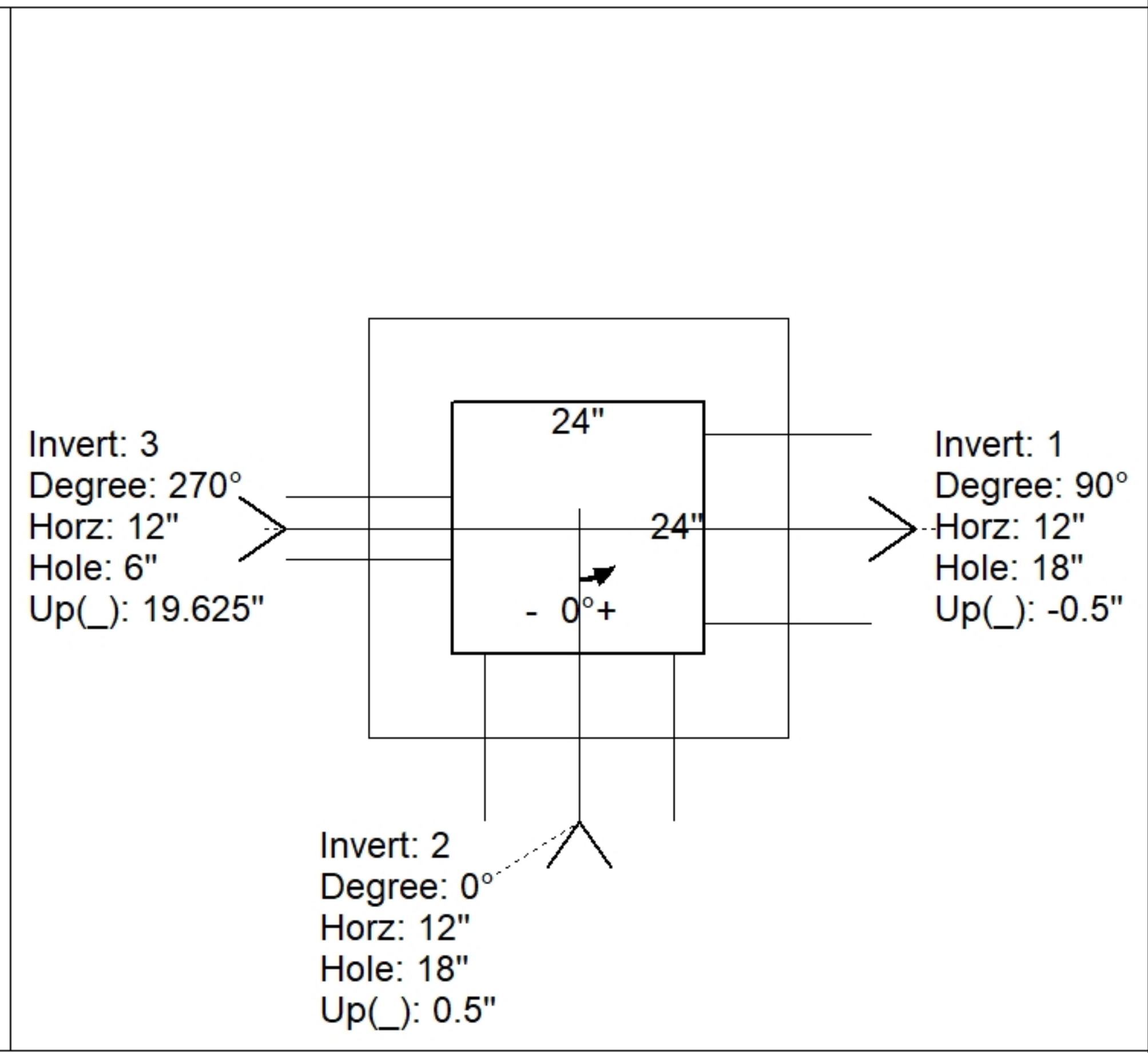
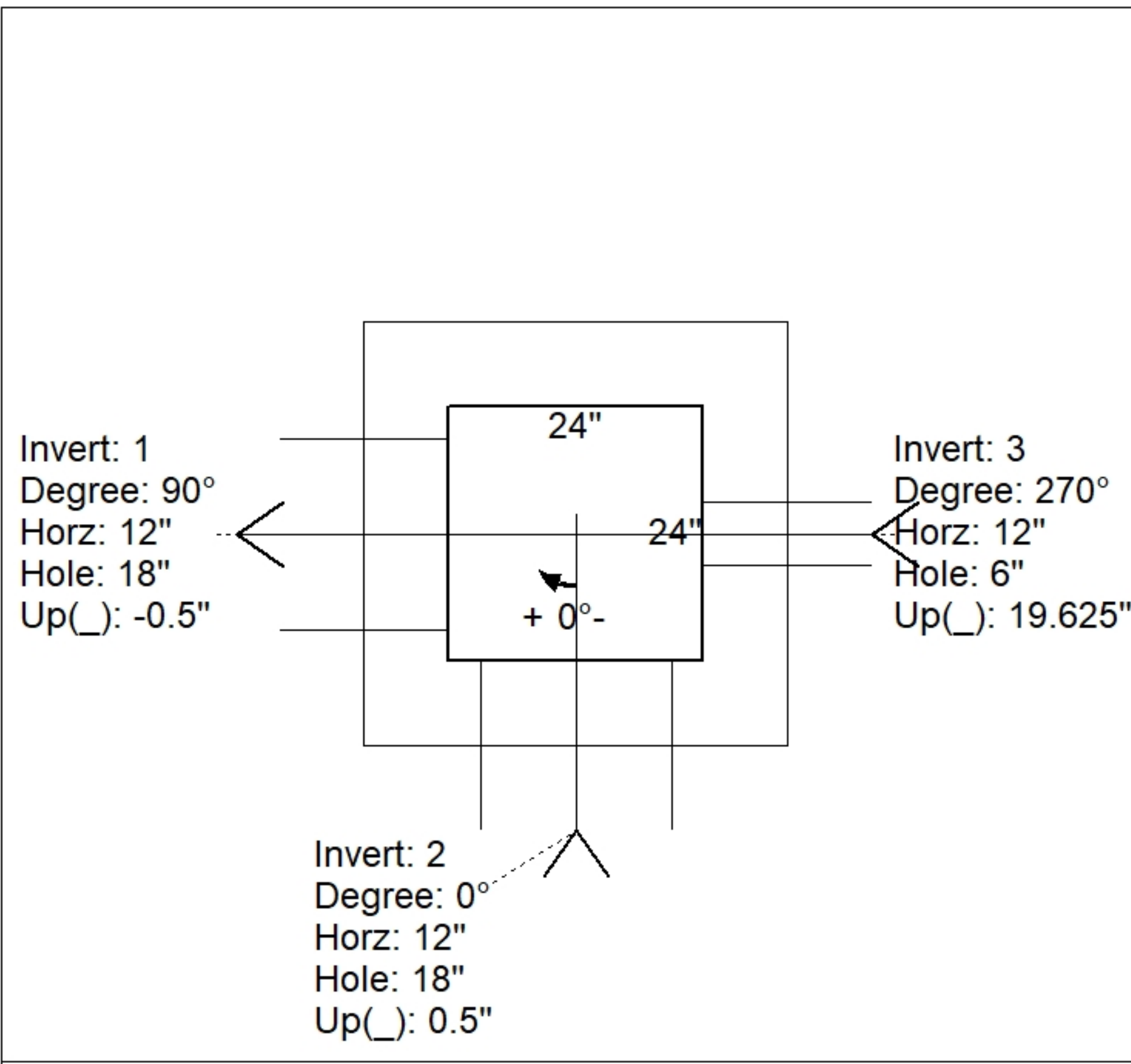
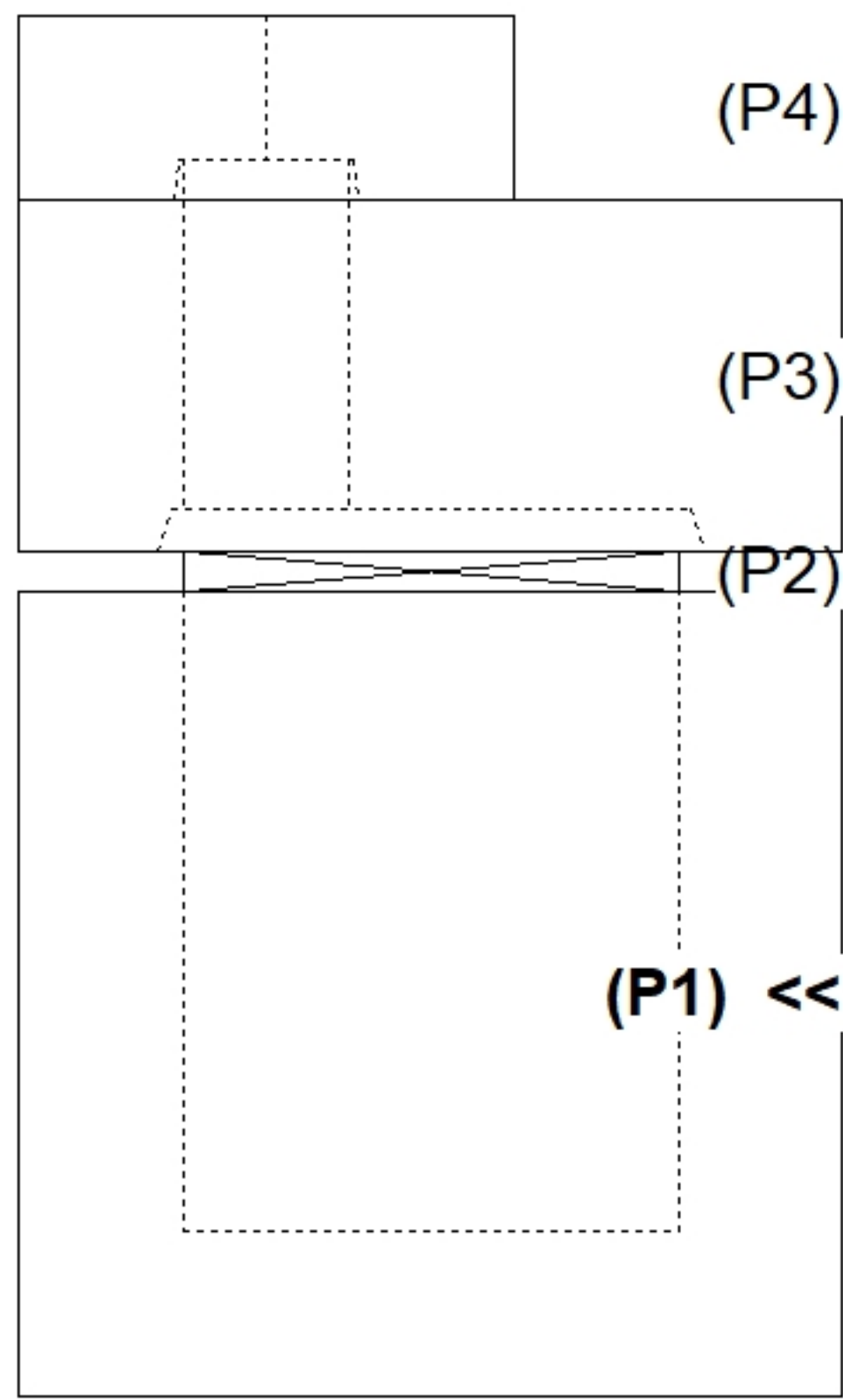
REINFORCING PER ASTM A615 (GRADE 60).  
 - TOP PHASE (As .62) #5 BARS AT 6" C.C.E.W.  
 - WALLS/FLOOR (As .31) #5 BARS AT 12" C.C.E.W.

Rim: 424.06'    Rim to Invert: 4.98'    Slack: 0.76"    Sump: 0"    Step Position:

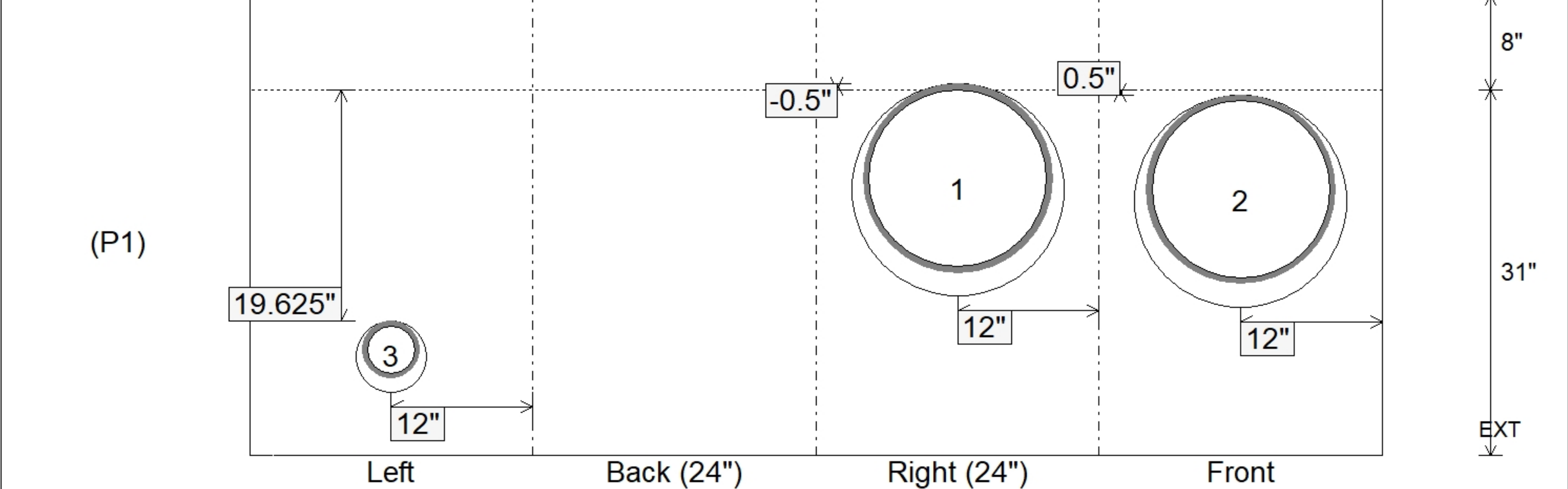
Position	Elev	Angle	Ext. (cw)	Pipe	Pipe OD	Connector	Hole	Horz Size	Up ( )	Offset
Invert 1	419.08'	90°	20"	15" CMP	16"	Hole 18	18"	18"	-0.5"	0"
Invert 2	419.16'	0°	20"	15" CMP	16"	Hole 18	18"	18"	0.5"	0"
Invert 3	420.75'	270°	20"	4" HDPE (perf pipe)	4.8"	Hole 6	6"	6"	19.625"	0"
Invert 4										
Invert 5										
Invert 6										
Invert 7										
Invert 8										

RIGHT-SIDE UP VIEW (int. dimensions)

UPSIDE-DOWN VIEW (int. dimensions)



INSIDE WALL DIMENSIONS



Coating (Int): Coating (Ext):	Seam Up: Flat Seam Dn: n/a	Wall Thickness: 8" Floor Height: 8"	Height (Int): 31" Height (Ext): 39"	Weight (Net): 3377 lb Volume (Net): 0.86cu.yd
----------------------------------	-------------------------------	--	--	--