

Job Name: 23-1914 - KYTC Daviess County ID 231032
Job Location: Owensboro, KY 42701
Contractor: Mick-Murf Construction Inc.

PC: C. Goff
 TECH: J. Horsley
 Plant: 100



Structure ID: **080 (KY B 10ft)**
 Spec: KYTC
 Type: CBI TYPE B (10') private
 Size: 24" x 24"

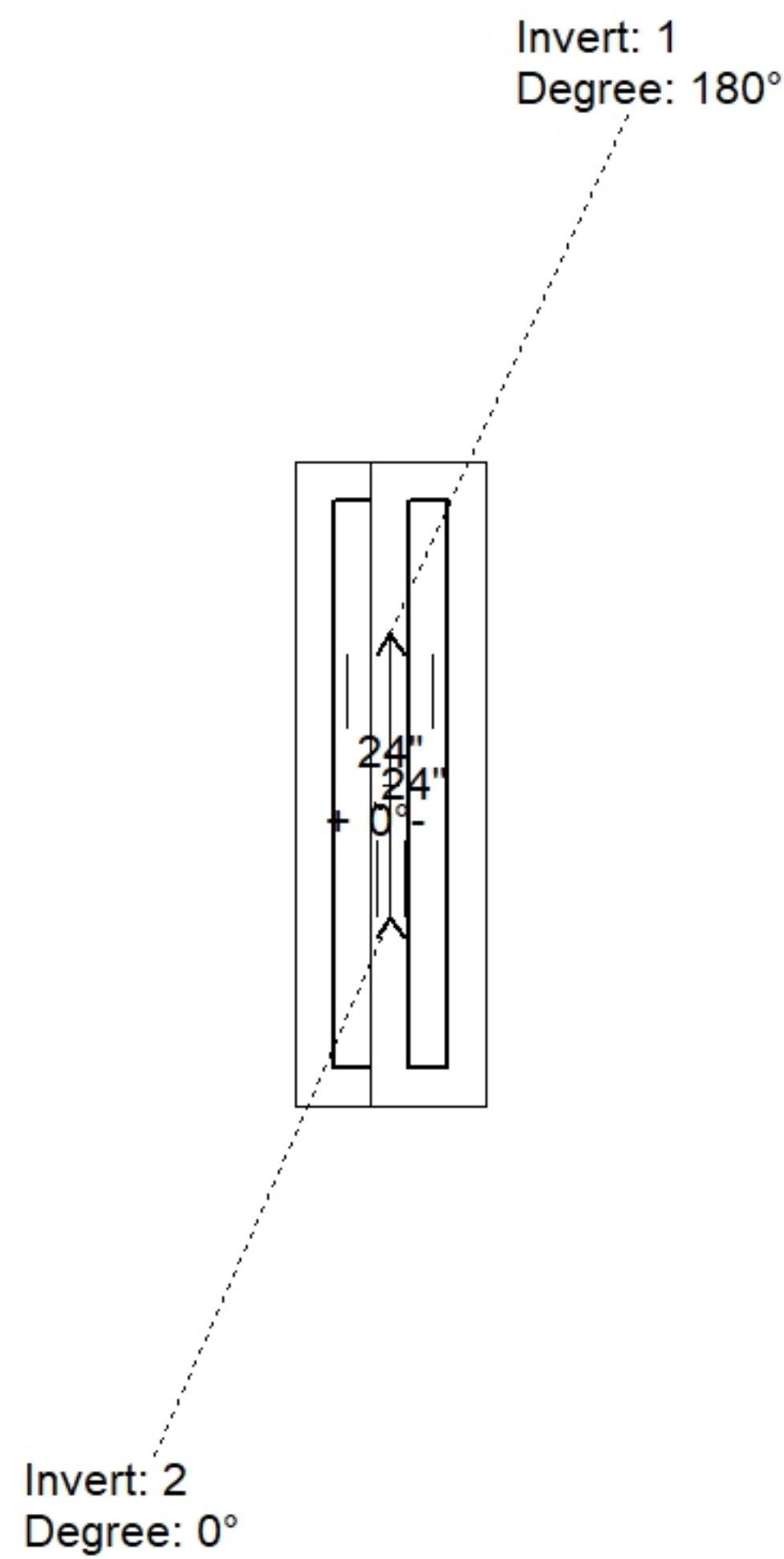
Rim: 424.61' Sump: 0"
 Invert: 420.03' Floor (Top): 420.03'
 Rim to Invert: 4.58' Floor Height: 8"
 Floor (Bot): 419.363'
 Overall Height: 5.25'
 Slack: -0.04"

Structure Notes:

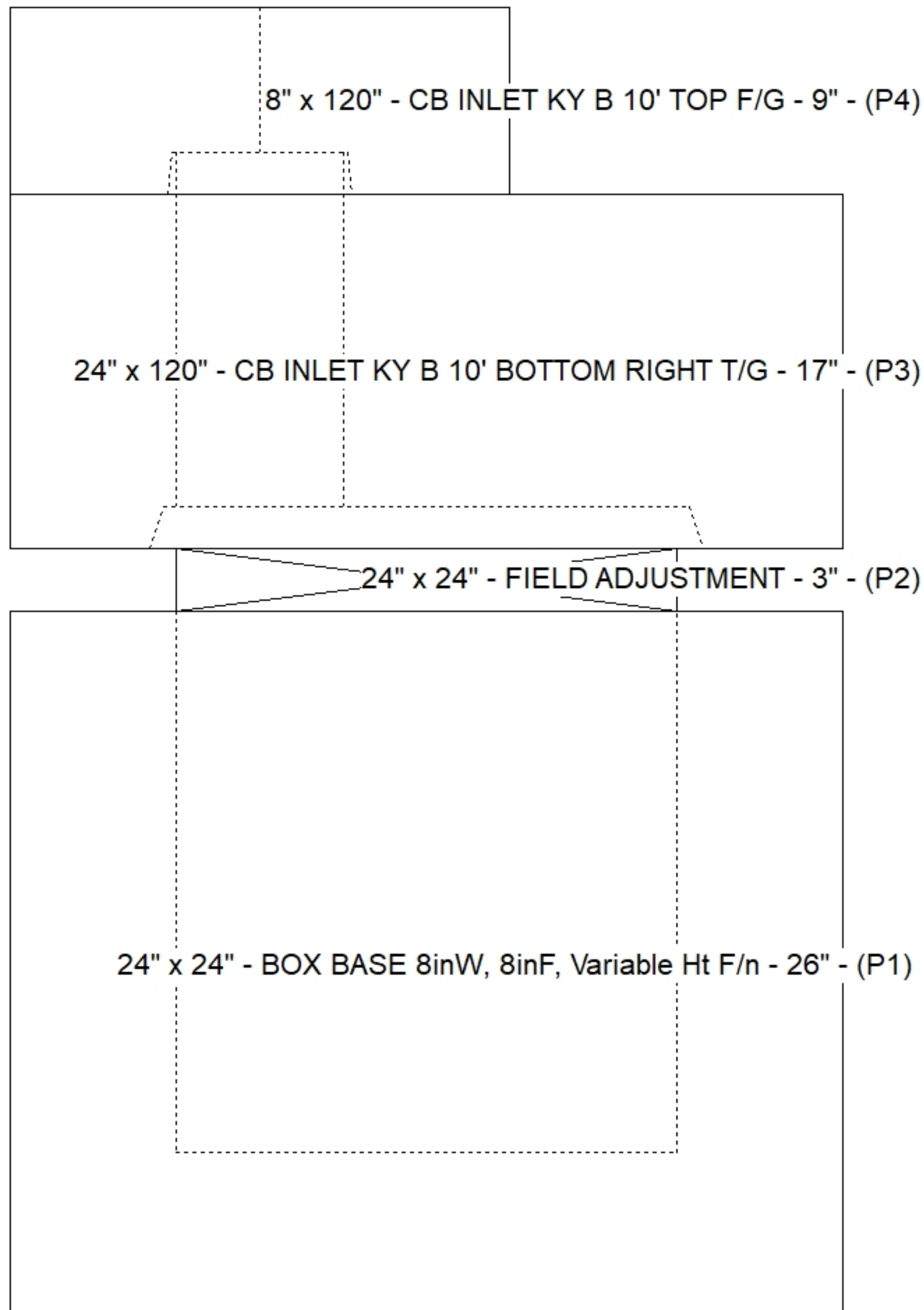
- ** KYTC STATE PROJECT ****
- PER KYTC CBI TYPE B / ASTM C913 SPEC'S.
 - CONCRETE = 4,000 PI AT 28 DAYS.
 - NO STEPS & NO INVERT CHANNEL.
 - CBI KY B F/G - BY OTHERS.
- REINFORCING PER ASTM A615 (GRADE 60).
 - TOP PHASE (As .62) #5 BARS AT 6" C.C.E.W.
 - WALLS/FLOOR (As .31) #5 BARS AT 12" C.C.E.W.

STRUCTURE SUMMARY:

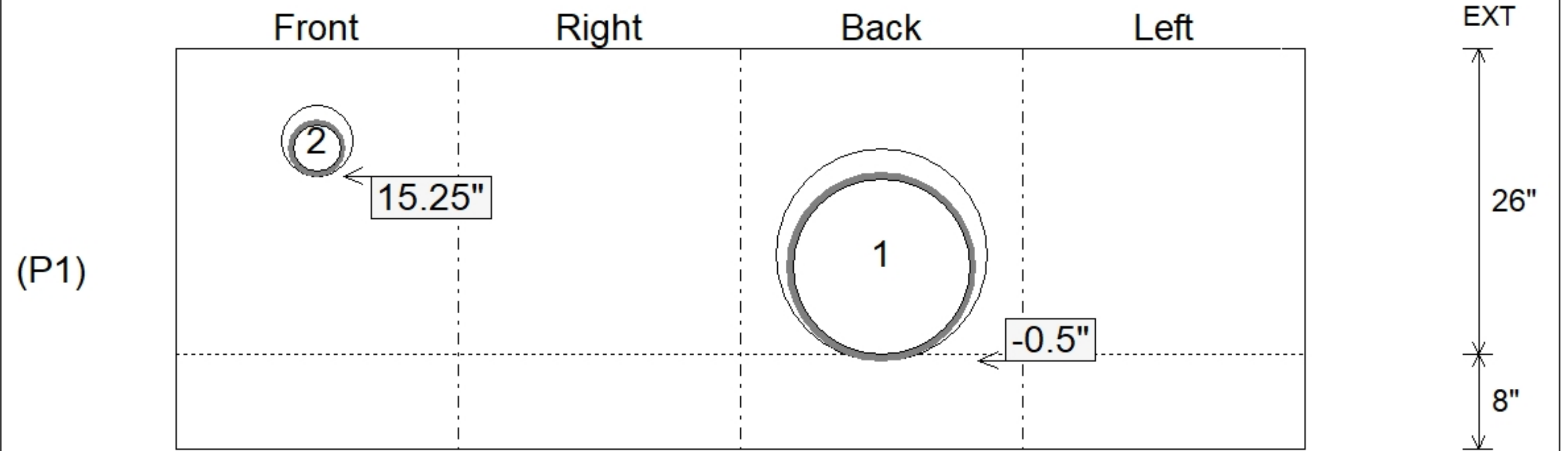
P4) 8" x 120" - CB INLET KY B 10' TOP F/G - 9"	1660 lb
P3) 24" x 120" - CB INLET KY B 10' BOTTOM RIGHT T/G - 17"	2650 lb
P2) 24" x 24" - FIELD ADJUSTMENT - 3"	0 lb
P1) 24" x 24" - BOX BASE 8inW, 8inF, Variable Ht F/n - 26"	3118 lb
1) 24" x 24" - Conseal CS-102 1.00"	0 lb
1) Hole - 18	0 lb
1) Hole - 6	0 lb
Structure Total:	7428 lb



Position	Elev	Angle	Pipe	Pipe OD	Hole	Connector	Up ()	Ref
Rim	424.61'							
Reducer								
Invert 1	420.03'	180°	15" CMP	16"	18"	Hole 18	-0.5"	P1
Invert 2	421.33'	0°	4" HDPE (perf pipe)	4.8"	6"	Hole 6	15.25"	P1
Invert 3								
Invert 4								
Invert 5								
Invert 6								
Invert 7								
Invert 8								



Cast (Int. Dim.) - Interior Dimensions



Submittal Drawing
 1/8/2026 10:13:18 AM

SUBMITTAL
 APPROVED BY: