

Structure ID: 080 (KY B 10ft)

P1 BX2424-08BAVF

BOX BASE 8inW, 8inF, Variable Ht F/n

P4) 8" x 120" - CB INLET KY B 10' TOP F/G - 9" P3) 24" x 120" - CB INLET KY B 10' BOTTOM RIGHT T/G - 17" P2) 24" x 24" - FIELD ADJUSTMENT - 3" P1) 24" x 24" - BOX BASE 8inW, 8inF, Variable Ht F/n - 26" 1) 24" x 24" - Conseal CS-102 1.00" 1) Hole - 18 1) Hole - 6	1660 lb 2650 lb 0 lb 3118 lb 0 lb 0 lb 0 lb ----- Structure Total: 7428 lb
--	--

Structure Notes:
 ** KYTC STATE PROJECT **
 1. PER KYTC CBI TYPE B / ASTM C913 SPEC'S.
 2. CONCRETE = 4,000 PI AT 28 DAYS.
 3. NO STEPS & NO INVERT CHANNEL.
 5. CBI KY B F/G - BY OTHERS.

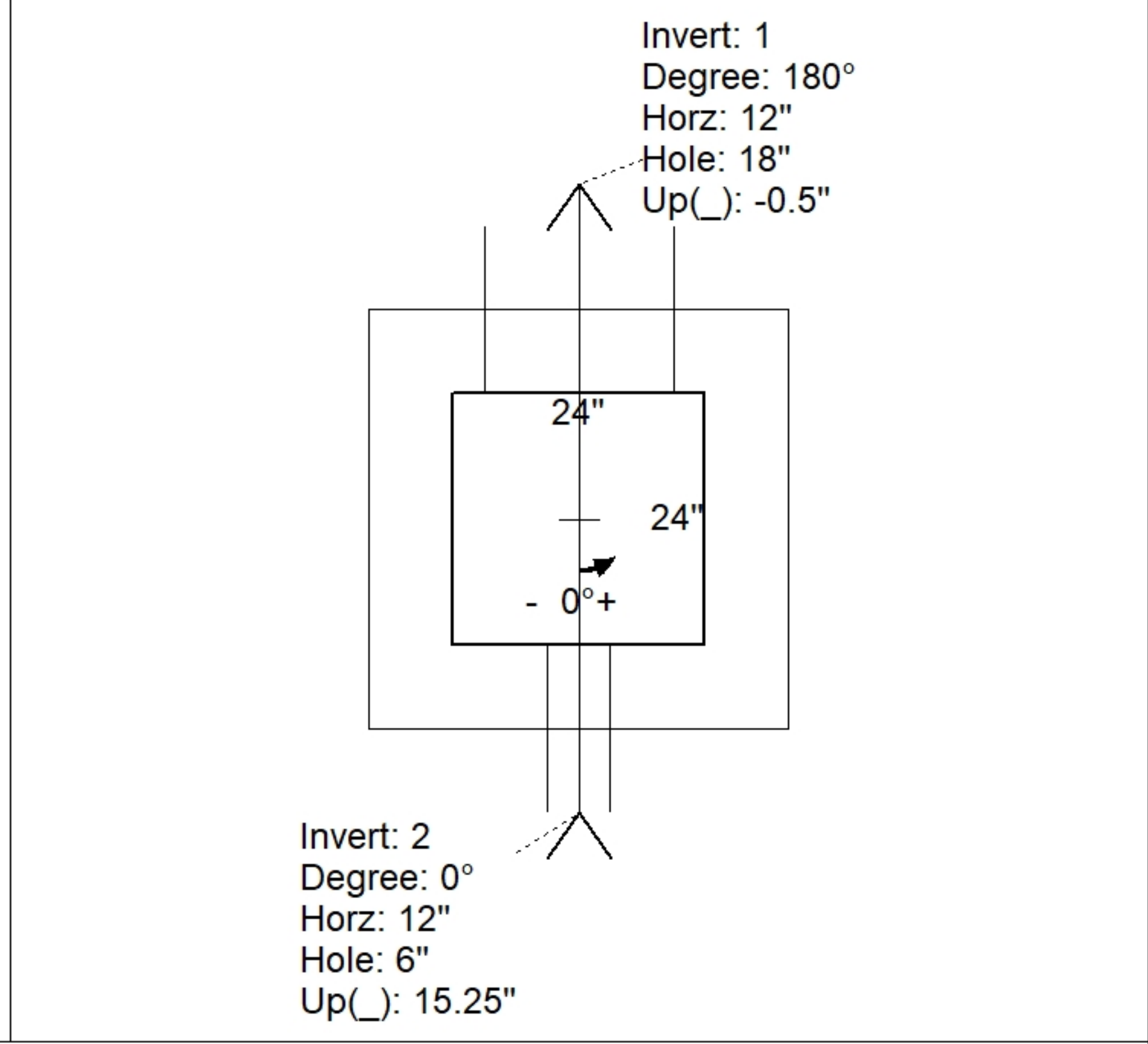
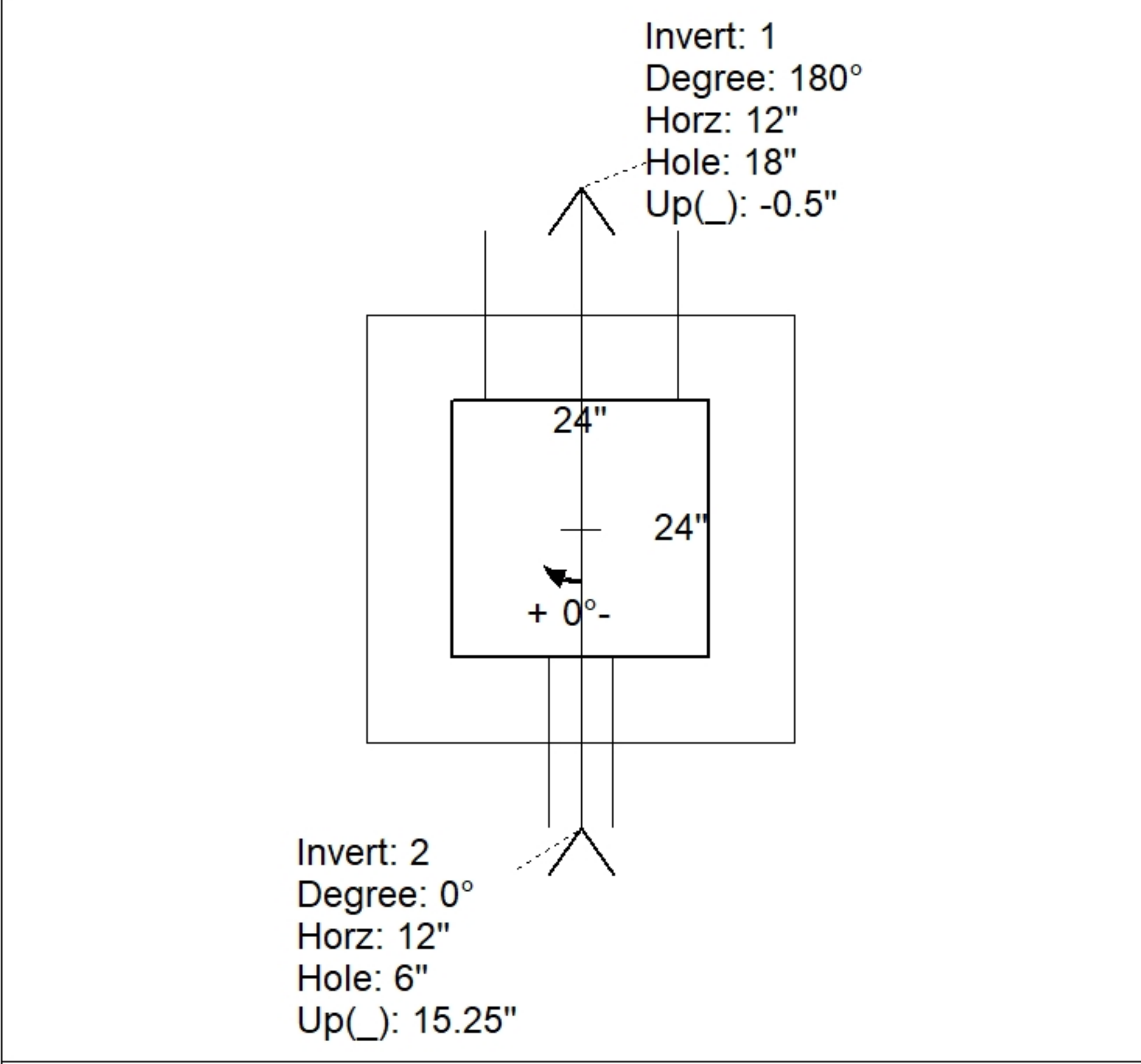
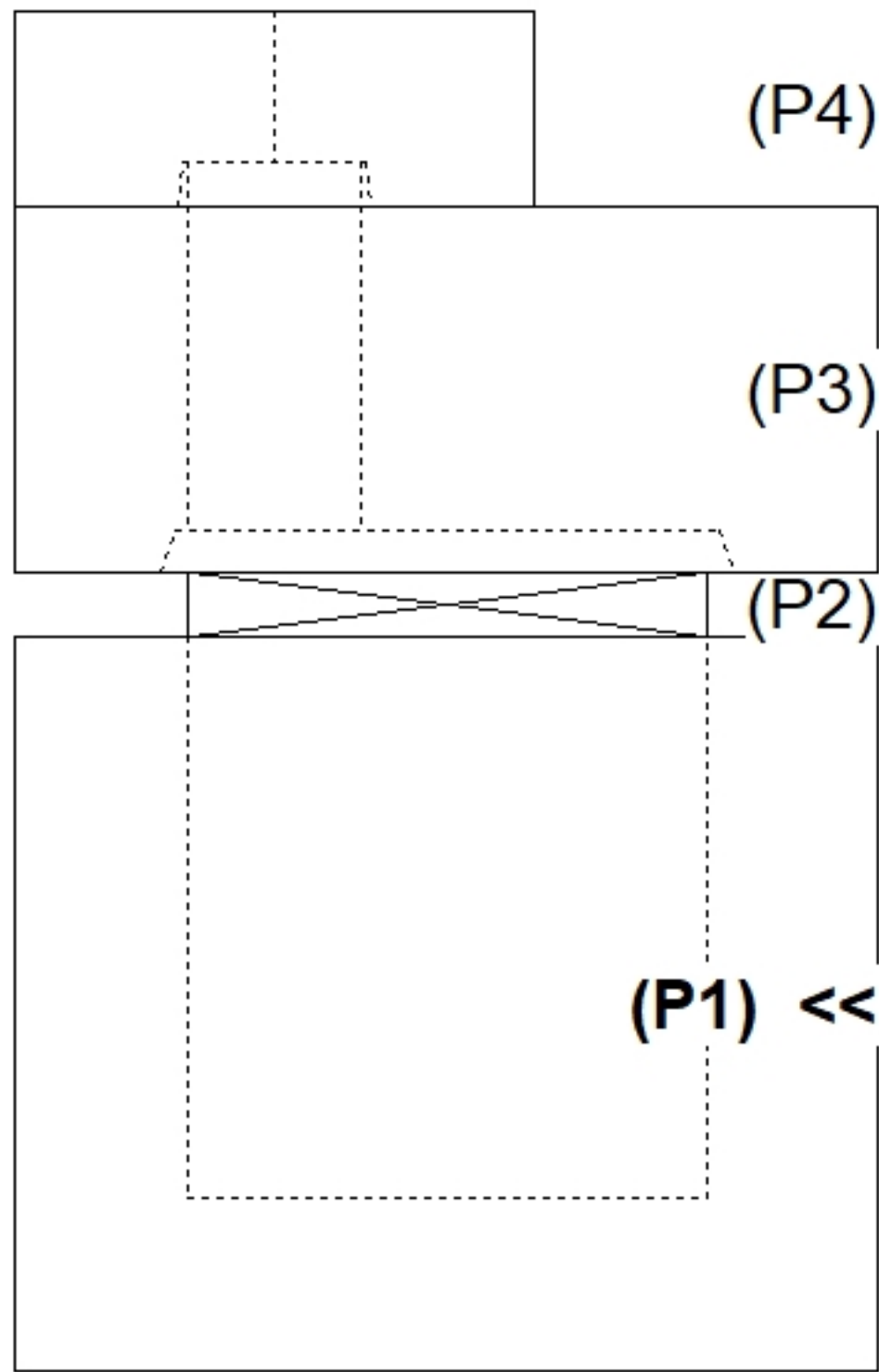
REINFORCING PER ASTM A615 (GRADE 60).
 - TOP PHASE (As .62) #5 BARS AT 6" C.C.E.W.
 - WALLS/FLOOR (As .31) #5 BARS AT 12" C.C.E.W.

Rim: 424.61' Rim to Invert: 4.58' Slack: -0.04" Sump: 0" Step Position:

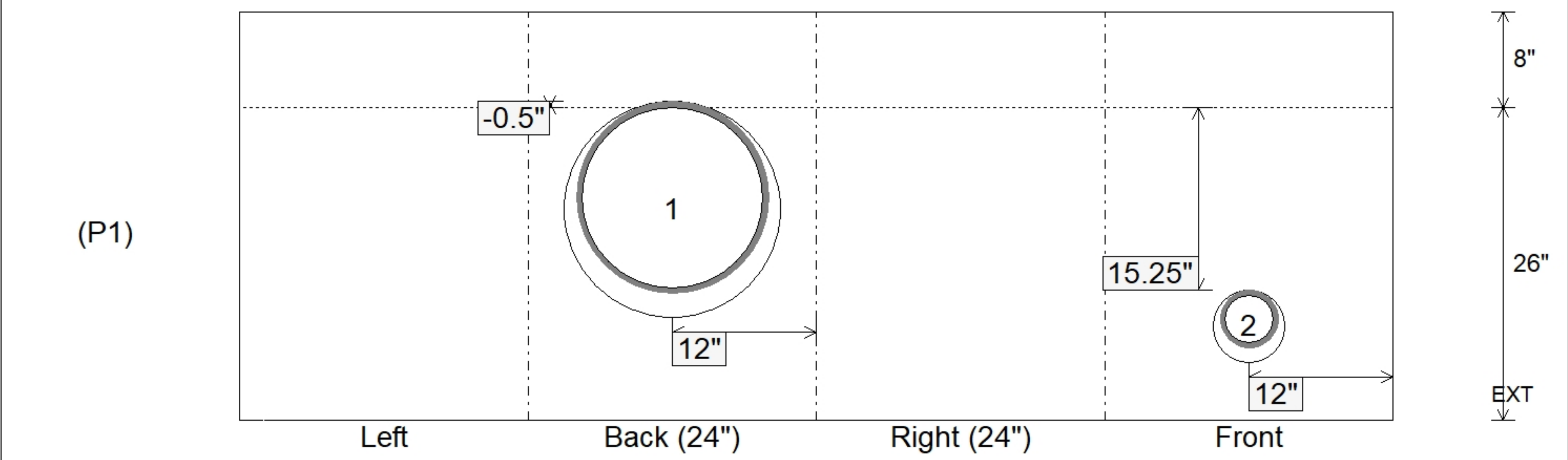
Position	Elev	Angle	Ext. (cw)	Pipe	Pipe OD	Connector	Hole	Horz Size	Up ()	Offset
Invert 1	420.03'	180°	20"	15" CMP	16"	Hole 18	18"	18"	-0.5"	0"
Invert 2	421.33'	0°	20"	4" HDPE (perf pipe)	4.8"	Hole 6	6"	6"	15.25"	0"
Invert 3										
Invert 4										
Invert 5										
Invert 6										
Invert 7										
Invert 8										

RIGHT-SIDE UP VIEW (int. dimensions)

UPSIDE-DOWN VIEW (int. dimensions)



INSIDE WALL DIMENSIONS



Coating (Int): Coating (Ext):	Seam Up: Flat Seam Dn: n/a	Wall Thickness: 8" Floor Height: 8"	Height (Int): 26" Height (Ext): 34"	Weight (Net): 3118 lb Volume (Net): 0.8cu.yd
----------------------------------	-------------------------------	--	--	---