

Job Name: 23-1914 - KYTC Daviess County ID 231032
Job Location: Owensboro, KY 42701
Contractor: Mick-Murf Construction Inc.

PC: C. Goff
 TECH: J. Horsley
 Plant: 100



Structure ID: **076 (DBI-13G)**
 Spec: KYTC
 Type: DBI TYPE 13G private
 Size: 36" x 48"

Rim: 424.68'
 Invert: 417.64'
 Rim to Invert: 7.04'

Sump: 0"
 Floor (Top): 417.64'
 Floor Height: 8"

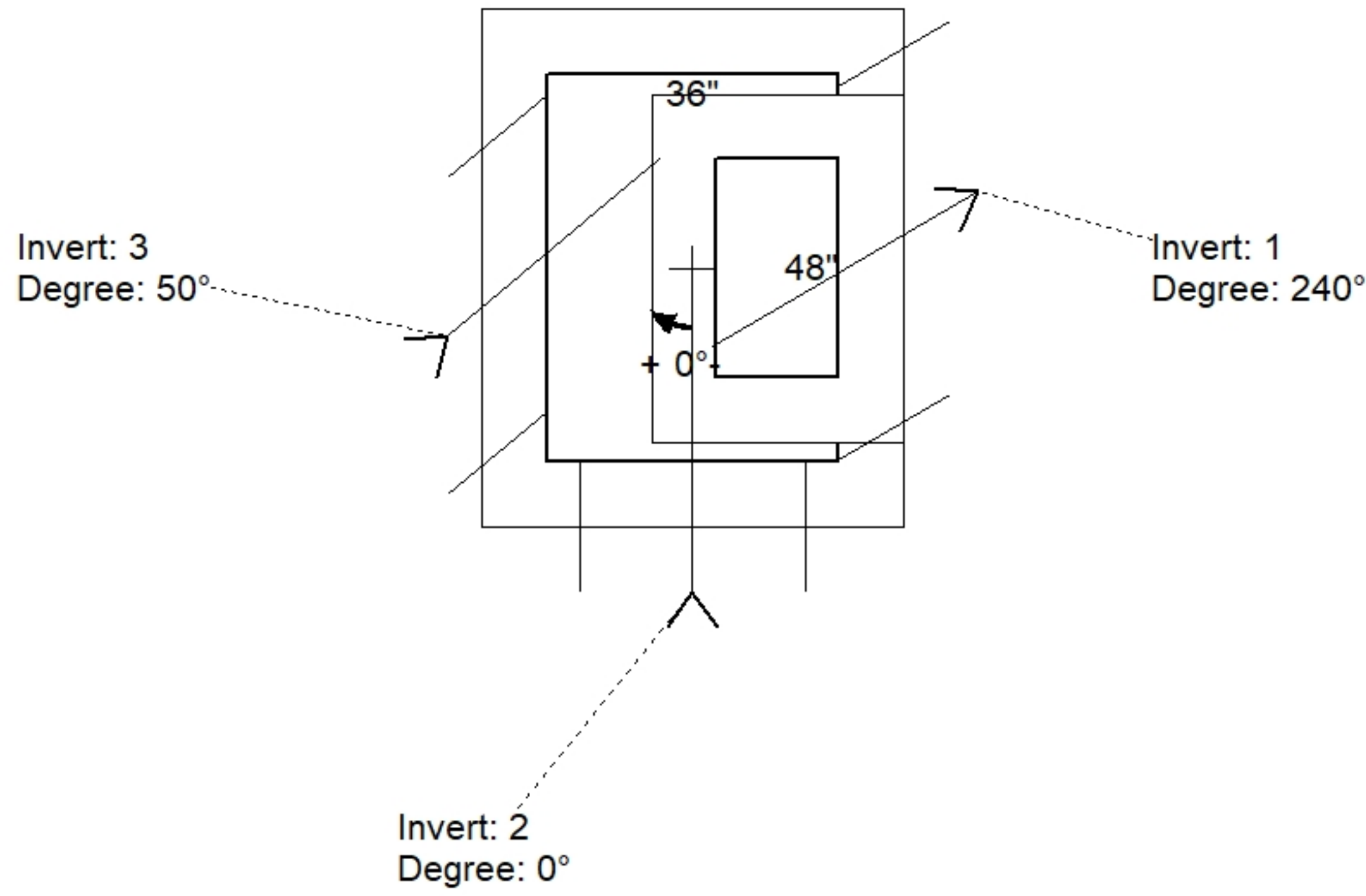
Floor (Bot): 416.973'
 Overall Height: 7.667'
 Slack: 0.48"

Structure Notes:

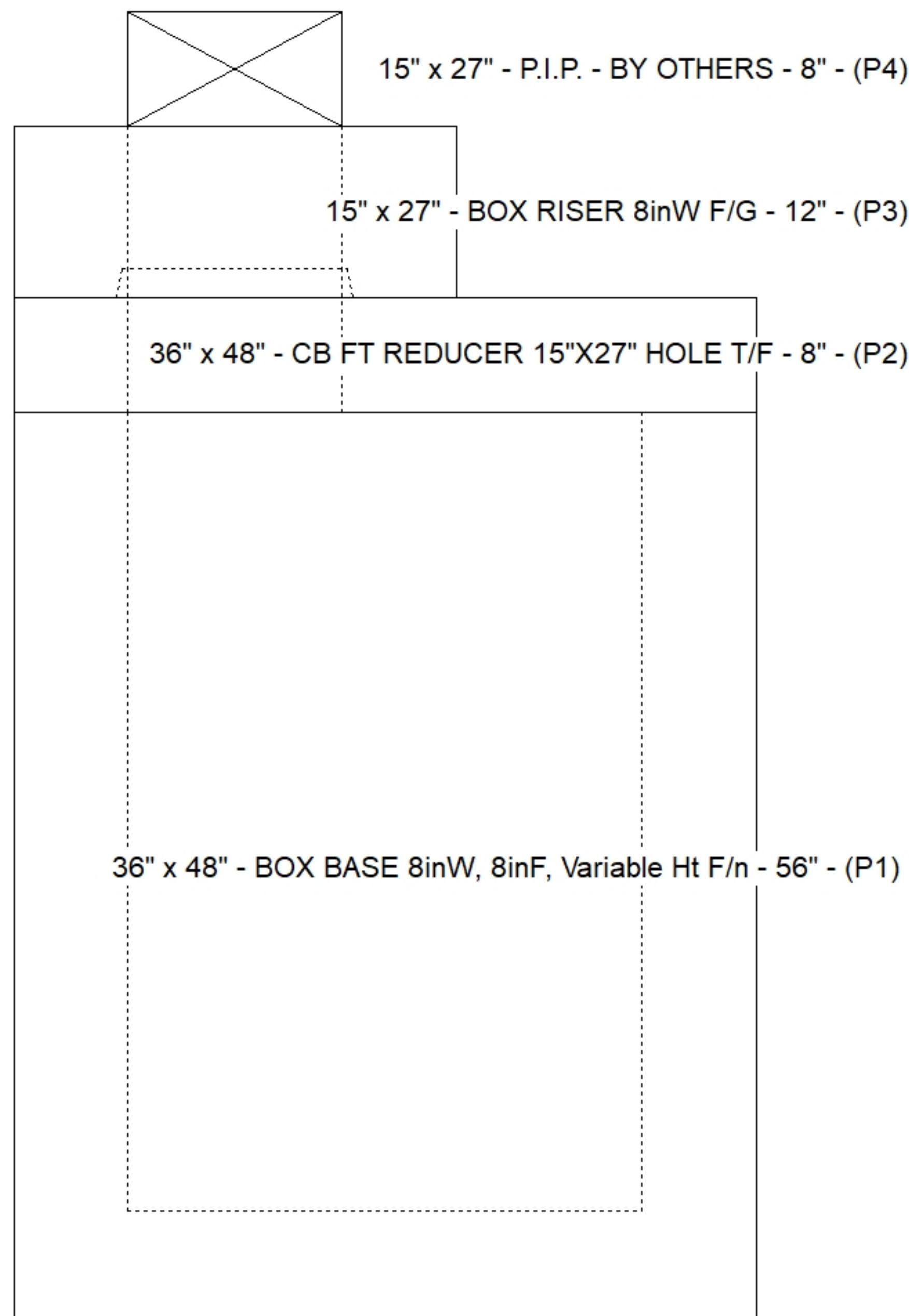
- **KYTC STATE PROJECT****
1. KYTC DBI TYPE 13G / ASTM C-913 SPEC'S.
 2. CONCRETE = 4,000 PSI AT 28 DAYS.
 3. NO STEPSS & NO INVERT CHANNEL.
 4. DBI-13G F/G - BY OTHERS.
 5. STUB #5 BARS 6" OUT TOP OF TOP SLAB
 SPA AT 12" C/C AROUND 15X27 HOLE
- REINFORMING PER ASTM A615 (GRADE 60).
 - TOP. SLAB (As .62) #5 BARS AT 6" C.C.E.W. (DBL MAT).
 - WALLS (As .31) #5 BARS AT 12" C.C.E.W.
 - FLOOR (As .31) #5 BARS AT 12" C.C.E.W.

STRUCTURE SUMMARY:

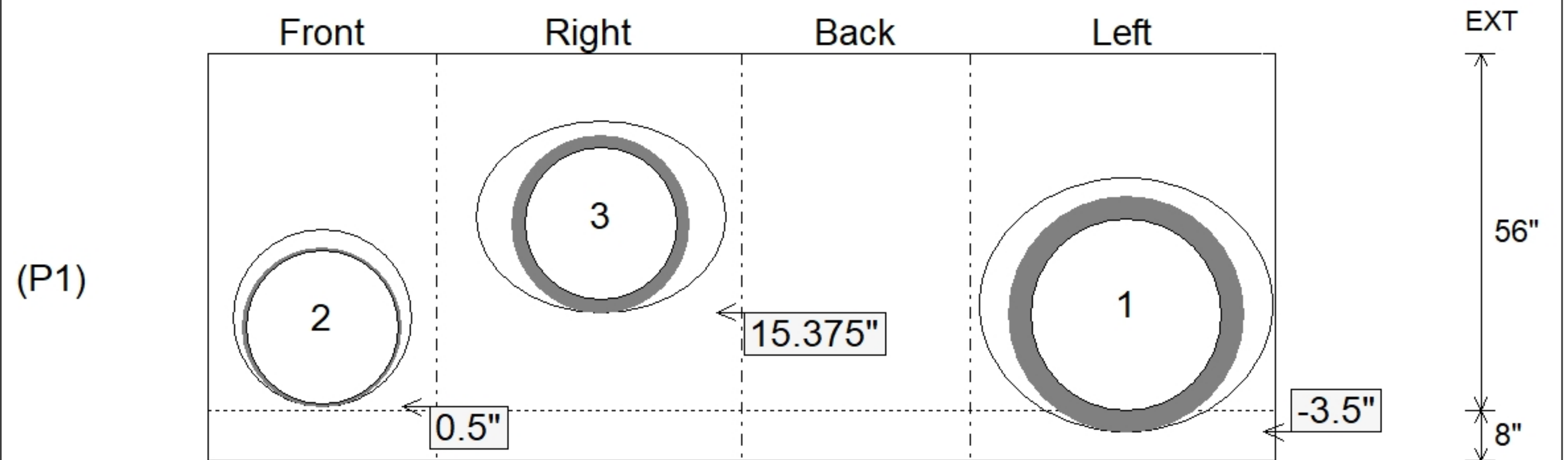
P4) 15" x 27" - P.I.P. - BY OTHERS - 8"	0 lb
P3) 15" x 27" - BOX RISER 8inW F/G - 12"	934 lb
P2) 36" x 48" - CB FT REDUCER 15"X27" HOLE T/F - 8"	1962 lb
P1) 36" x 48" - BOX BASE 8inW, 8inF, Variable Ht F/n - 56"	7746 lb
1) 36" x 48" - Conseal CS-102 1.00"	0 lb
2) 15" x 27" - Conseal CS-102 1.00"	0 lb
1) Hole - 40	0 lb
1) Hole - 28	0 lb
1) Hole - 30	0 lb
Structure Total:	10642 lb



Position	Elev	Angle	Pipe	Pipe OD	Hole	Connector	Up (")	Ref
Rim	424.68'							
Reducer	422.307'							
Invert 1	417.64'	240°	30" RCP B WALL	37"	40"	Hole 40	-3.5"	P1
Invert 2	417.72'	0°	24" CMP	25"	28"	Hole 28	0.5"	P1
Invert 3	419.08'	50°	24" HDPE	27.8"	30"	Hole 30	15.375"	P1
Invert 4								
Invert 5								
Invert 6								
Invert 7								
Invert 8								



Cast (Int. Dim.) - Interior Dimensions



Submittal Drawing
 1/14/2026 8:19:50 AM

SUBMITTAL
 APPROVED BY: