

Job Name: 23-1914 - KYTC Daviess County ID 231032
 Job Location: Owensboro, KY 42701
 Contractor: Mick-Murf Construction Inc.

Plant: 100

1/14/2026 8:21:06 AM

Tech: J. Horsley

PC: C. Goff



Structure ID: 076 (DBI-13G)

P2 BX036048-08TS1527

CB FT REDUCER 15"X27" HOLE T/F

- P4) 15" x 27" - P.I.P. - BY OTHERS - 8"
- P3) 15" x 27" - BOX RISER 8inW F/G - 12"
- P2) 36" x 48" - CB FT REDUCER 15"X27" HOLE T/F - 8"
- P1) 36" x 48" - BOX BASE 8inW, 8inF, Variable Ht F/n - 56"
- 1) 36" x 48" - Conseal CS-102 1.00"
- 2) 15" x 27" - Conseal CS-102 1.00"
- 1) Hole - 40
- 1) Hole - 28
- 1) Hole - 30

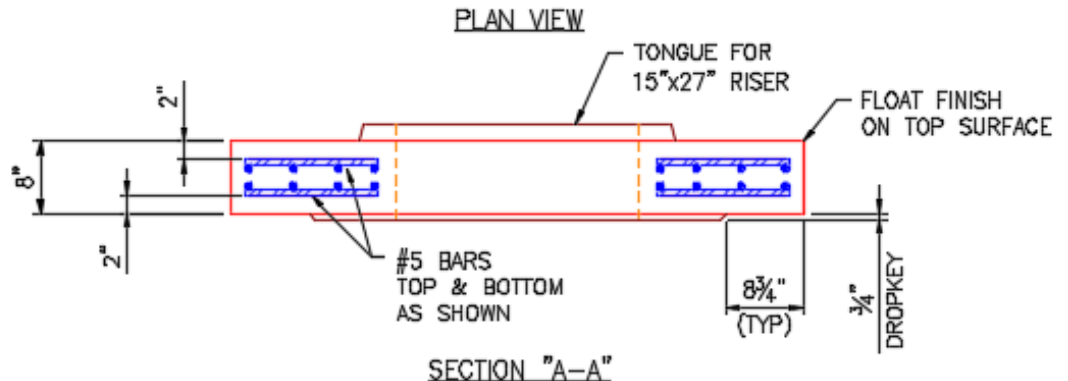
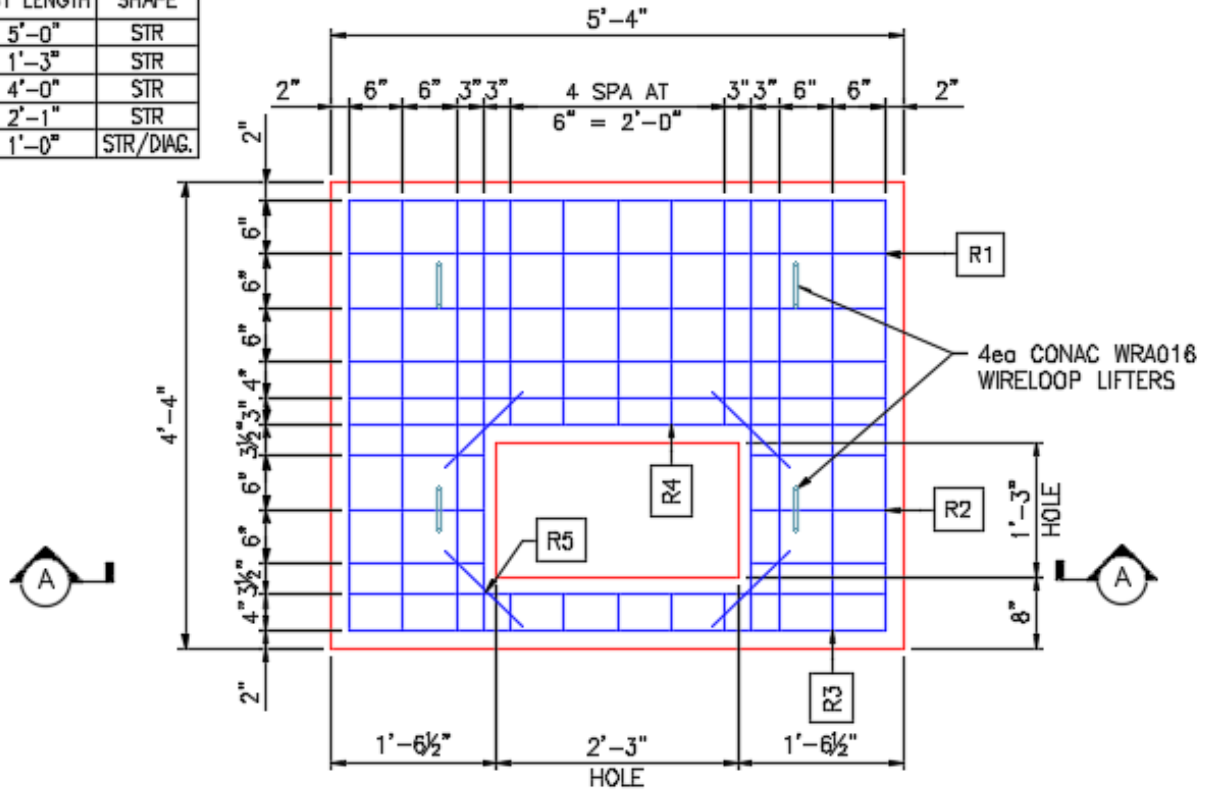
- 0 lb
- 934 lb
- 1962 lb
- 7746 lb
- 0 lb
- 0 lb
- 0 lb
- 0 lb
- 0 lb
- 0 lb

Structure Total: 10642 lb

Structure Notes:

- **KYTC STATE PROJECT**
 - 1. KYTC DBI TYPE 13G / ASTM C-913 SPEC'S.
 - 2. CONCRETE = 4,000 PSI AT 28 DAYS.
 - 3. NO STEPSS & NO INVERT CHANNEL.
 - 4. DBI-13G F/G - BY OTHERS.
 - 5. STUB #5 BARS 6" OUT TOP OF TOP SLAB SPA AT 12" C/C AROUND 15X27 HOLE
- REINFORCING PER ASTM A615 (GRADE 60).
 - TOP SLAB (As .62) #5 BARS AT 6" C.C.E.W. (DBL MAT).
 - WALLS (As .31) #5 BARS AT 12" C.C.E.W.
 - FLOOR (As .31) #5 BARS AT 12" C.C.E.W.

REINFORCEMENT CUT LIST				
BAR	QTY	MATERIAL	CUT LENGTH	SHAPE
R1	16	#5 BAR	5'-0"	STR
R2	12	#5 BAR	1'-3"	STR
R3	16	#5 BAR	4'-0"	STR
R4	10	#5 BAR	2'-1"	STR
R5	8	#5 BAR	1'-0"	STR/DIAG.



Coating (Int):
 Coating (Ext):

Seam Up: Tongue
 Seam Dn: Flat

Wall Thickness: 8"

Height (Ext): 8"

Weight (Net): 1962 lb
 Volume (Net): 0.5cu.yd