

Job Name: 23-1914 - KYTC Daviess County ID 231032
 Job Location: Owensboro, KY 42701
 Contractor: Mick-Murf Construction Inc.

Plant: 100

Tech: J. Horsley

1/14/2026 8:20:15 AM

PC: C. Goff



Structure ID: 076 (DBI-13G)

P1 BX3648-08BAVF

BOX BASE 8inW, 8inF, Variable Ht F/n

- P4) 15" x 27" - P.I.P. - BY OTHERS - 8"
- P3) 15" x 27" - BOX RISER 8inW F/G - 12"
- P2) 36" x 48" - CB FT REDUCER 15"X27" HOLE T/F - 8"
- P1) 36" x 48" - BOX BASE 8inW, 8inF, Variable Ht F/n - 56"
- 1) 36" x 48" - Conseal CS-102 1.00"
- 2) 15" x 27" - Conseal CS-102 1.00"
- 1) Hole - 40
- 1) Hole - 28
- 1) Hole - 30

0 lb
 934 lb
 1962 lb
 7746 lb
 0 lb
 0 lb
 0 lb
 0 lb
 0 lb
 0 lb

Structure Total: 10642 lb

Structure Notes:

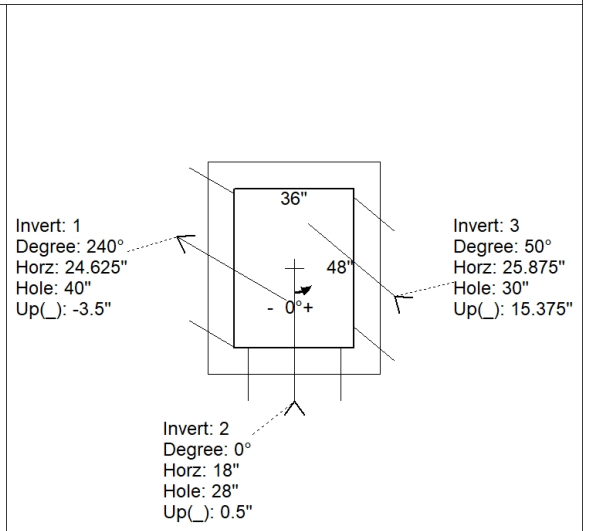
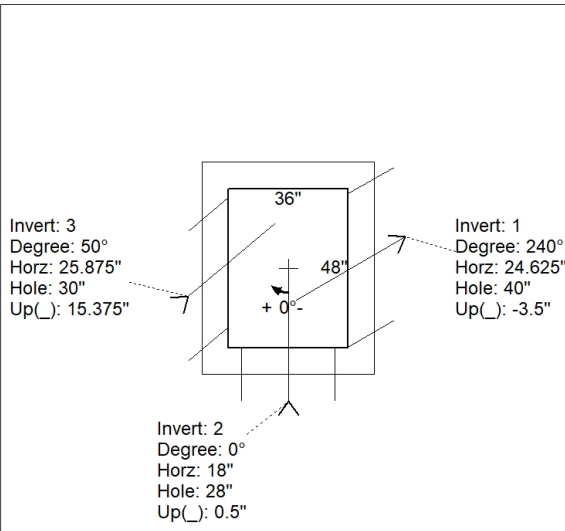
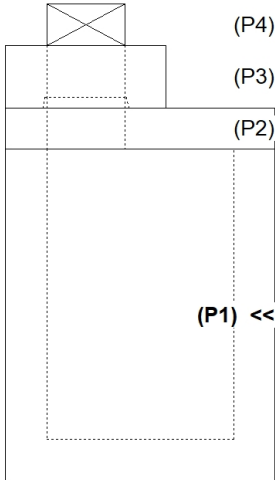
- **KYTC STATE PROJECT**
 - 1. KYTC DBI TYPE 13G / ASTM C-913 SPEC'S.
 - 2. CONCRETE = 4,000 PSI AT 28 DAYS.
 - 3. NO STEPSS & NO INVERT CHANNEL.
 - 4. DBI-13G F/G - BY OTHERS.
 - 5. STUB #5 BARS 6" OUT TOP OF TOP SLAB SPA AT 12" C/C AROUND 15X27 HOLE
- REINFORCING PER ASTM A615 (GRADE 60).
 - TOP: SLAB (As .62) #5 BARS AT 6" C.C.E.W. (DBL MAT).
 - WALLS (As .31) #5 BARS AT 12" C.C.E.W.
 - FLOOR (As .31) #5 BARS AT 12" C.C.E.W.

Rim: 424.68' Rim to Invert: 7.04' Slack: 0.48" Sump: 0" Step Position:

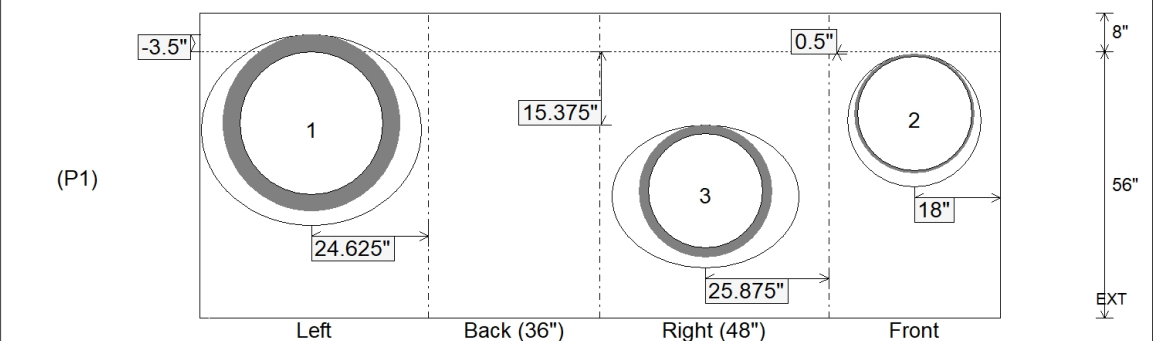
Position	Elev	Angle	Ext. (cw)	Pipe	Pipe OD	Connector	Hole	Horz Size	Up ()	Offset
Invert 1	417.64'	240°	28"	30" RCP B WALL	37"	Hole 40	40"	46.188"	-3.5"	9.5"
Invert 2	417.72'	0°	26"	24" CMP	25"	Hole 28	28"	28"	0.5"	0"
Invert 3	419.08'	50°	27.125"	24" HDPE	27.8"	Hole 30	30"	39.162"	15.375"	13"
Invert 4										
Invert 5										
Invert 6										
Invert 7										
Invert 8										

RIGHT-SIDE UP VIEW (int. dimensions)

UPSIDE-DOWN VIEW (int. dimensions)



INSIDE WALL DIMENSIONS



Coating (Int):
 Coating (Ext):

Seam Up: Flat
 Seam Dn: n/a

Wall Thickness: 8"
 Floor Height: 8"

Height (Int): 56"
 Height (Ext): 64"

Weight (Net): 7746 lb
 Volume (Net): 1.98cu.yd